

HSF

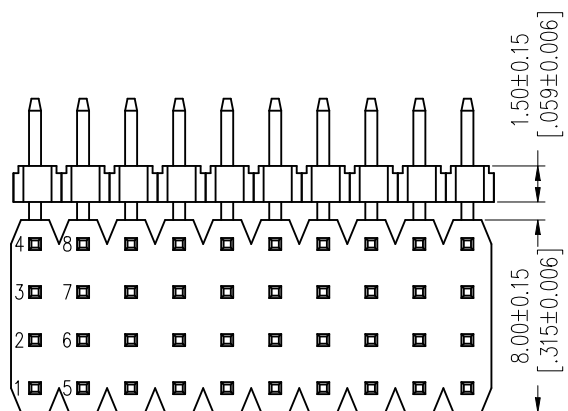
NOTES:
 Rated Current: 2.0AMP.
 Contact Resistance: 20mΩ Max.
 Withstand Voltage: 500V AC/DC
 Insulation Resistance: 1000MΩ Min.
 Operation Temperature: -40°C to +125°C(GOLD) \triangle
 -40°C to +105°C(TIN)

Contact Material: Brass
 Contact Plating: Au or Sn Over Ni
 Insulator Material: PA9T+33%G.F UL94V-0 BK

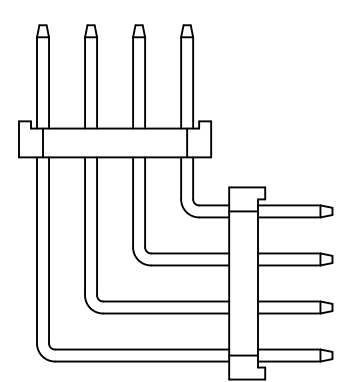
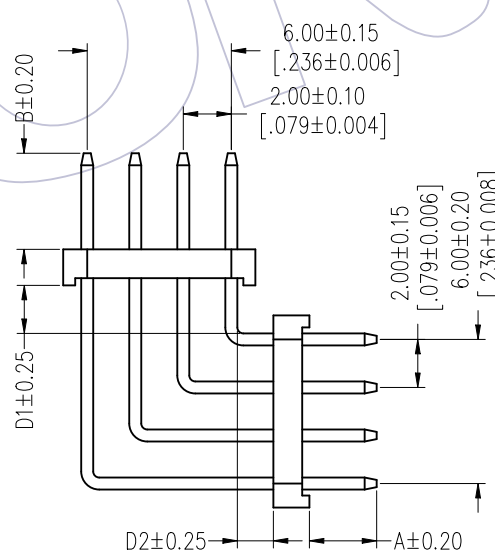
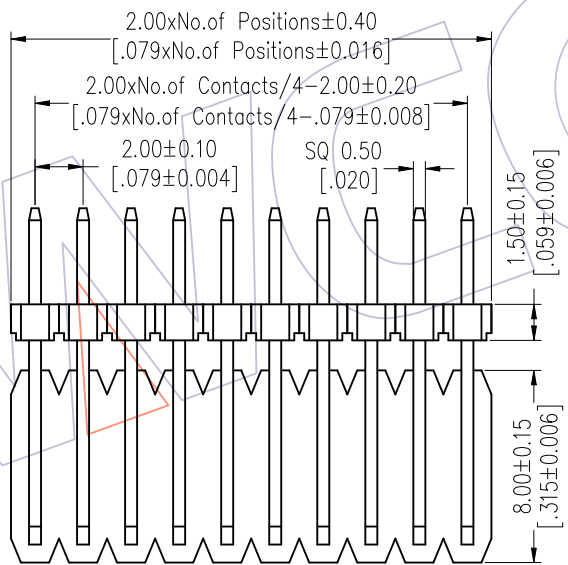
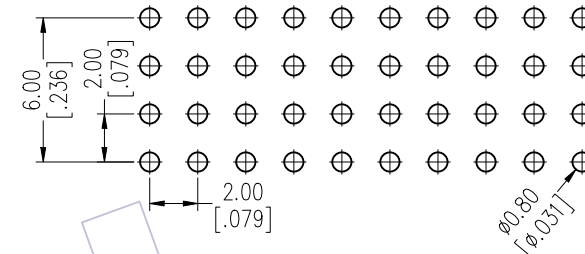
Ordering Information

1215-24 XX XX R XXX C 0 XX \triangle

\triangle	No. of Pins Per Row: 04-40	Contact Plating G0=Gold Flash G3=10u"Gold G4=15u"Gold G5=30u"Gold S0=Gold Flash/Tin S3=10u"Gold/Tin S4=15u"Gold/Tin S5=30u"Gold/Tin SN=Tin SM=Matte Tin	Pin Length(Short) L=A+B+D1+D2+3.2 Standard:	Insulator Material C=PA9T	Packing 0=PE Bag 01~99 T=Tube	Series No.
-------------	-------------------------------	---	---	---------------------------------	-------------------------------------	------------



Recommended P.C.B Layout (Top Side)
 (PCB BOARD TOLERANCE ±0.05)



TYPE 3

TYPE 4

Item	Pin Length	A	D1	B	D2	Mating
Standard	---	2.80	---	4.00	---	2263
Alternate						

A3	2020/06/12	Modify Pin 04~40P	\triangle	Ding	OPERATION	DRAW	DATE	SCALE	Fit	PART NO. 1215-24XXXXRXXXCOXX \triangle
A2	2019/03/04	Modify	\triangle	Ding	X.X ±0.40	Drawing	2020/06/12	UNIT	mm	
A1	2018/01/18	Modify P/N	\triangle	-----	X.XX ±0.25	CHECK	DATE	SIZE	A4	TITLE: PH2.00 FOUR ROW DOUBLE PLASTIC 90° H=1.5 MIDDLE BENDING
A0	2012/04/18	NEW	-----	-----	X.XXX ±0.15	APPROVE	DATE	SHEET	1/1	Customer NO.
REV	DATE	MODIFICATION DESCRIPTION	CHANGE		Angle ± 3°			PROJ.		
					DIM TOL					

WCON
 Http: www.wcon.com

WCON-Dongguan
 Tel: +86 769 85358920
 Fax: +86 769 85358915
 E-mail: sales@wcon.com

WCON-Kunshan
 Tel: +86 512 57468408
 Fax: +86 512 57468468
 E-mail: salesks@wcon.com