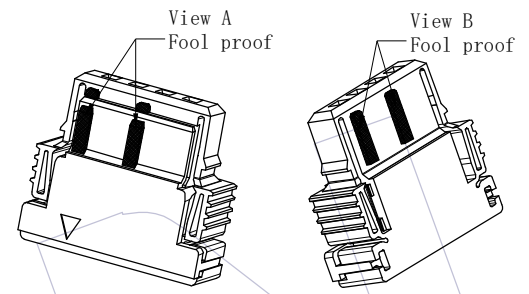
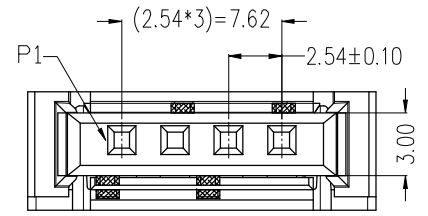


HSF

NOTES:

- 1.No.of Positions: 4 Pin
- 2.Withstand Voltage: 2000V AC;
- 3.Insulation Resistance: 1000MΩ Min;
- 4.Operation Temperature: -55℃ to +125℃;
- 5.Housing Material: PA46

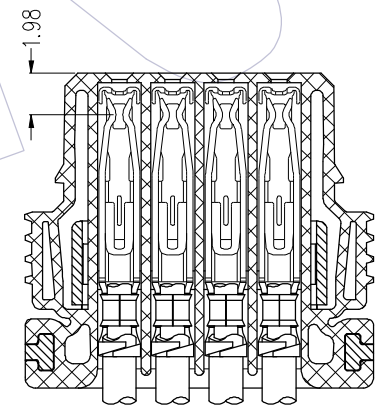
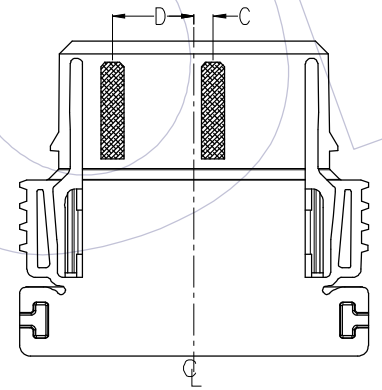
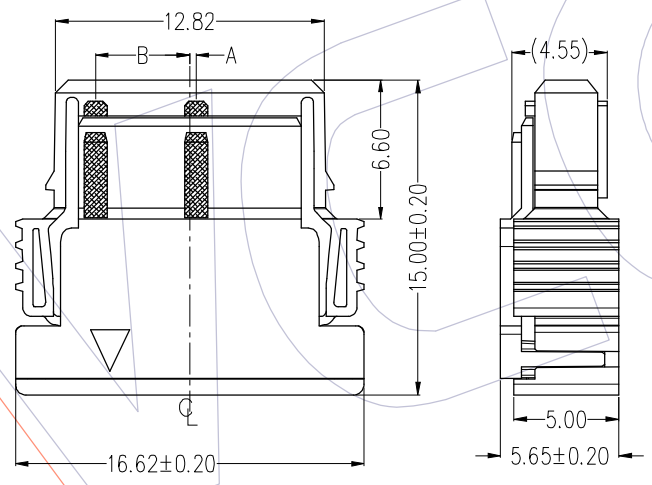


Fool proof diagram

Ordering Information

3915-S 04-1 C 00 G E X A 1

Color:
B=BLACK
U=BLUE
G=GREEN
R=RED



Terminal diagram

| PART NO. | COLOR | 防呆尺寸 | | | |
|---------------------|-------|------|-----|-----|-----|
| | | A | B | C | D |
| 3915-S04-1C00GEB A1 | BLACK | 0.3 | 4.5 | 0.9 | 3.9 |
| 3915-S04-1C00GEU A1 | BLUE | 1.5 | 3.3 | 2.1 | 2.7 |
| 3915-S04-1C00GEG A1 | GREEN | 2.7 | 2.1 | 3.3 | 1.5 |
| 3915-S04-1C00GER A1 | RED | 3.9 | 0.9 | 4.5 | 0.3 |

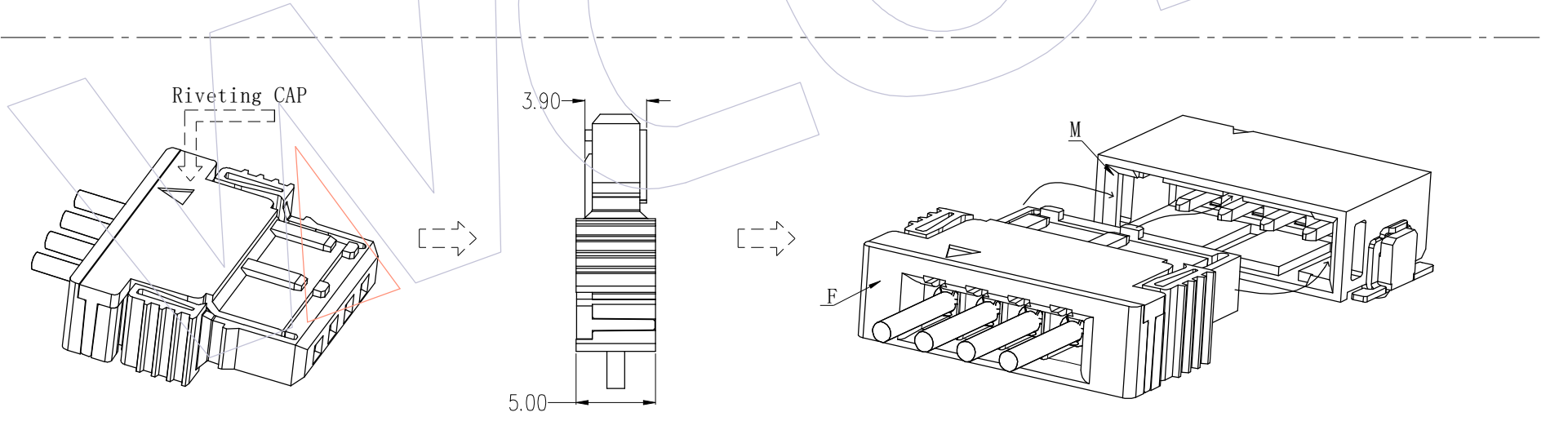
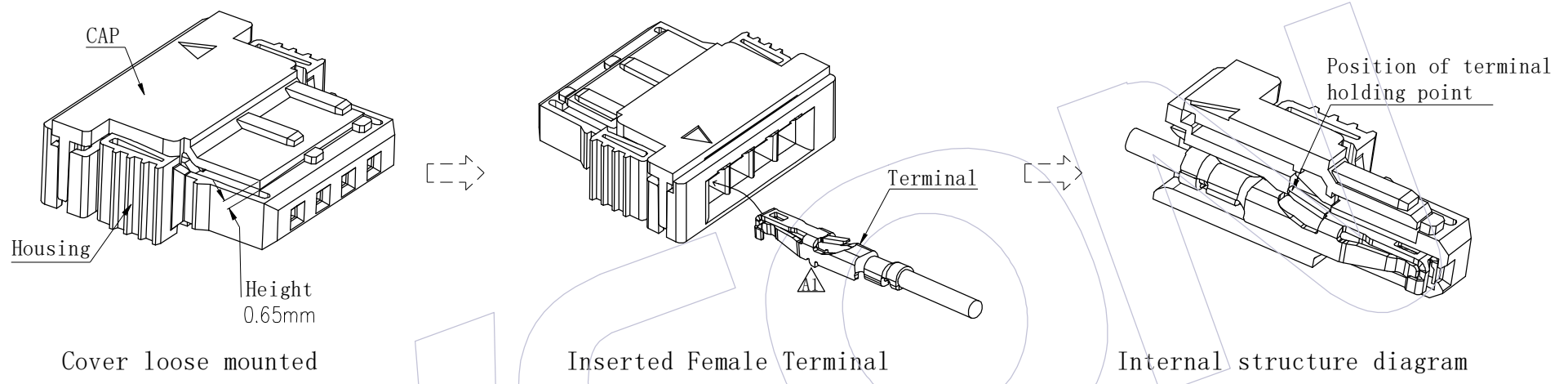
| REV | DATE | MODIFICATION DESCRIPTION | CHANGE | OPERATION | DRAW | DATE | SCALE | FIT | PART NO. |
|-----|------------|----------------------------|--------|-------------|---------|------------|-------|------|---|
| A2 | 2022/09/05 | Modified Withstand Voltage | — | x.x ±0.40 | GH | 2022/09/05 | UNIT | mm | 3915-S04-1C00GEXA1 |
| A1 | 2022/07/22 | Terminal Add Fool Proof | — | x.xx ±0.25 | CHECK | DATE | SIZE | inch | |
| A0 | 2019/12/11 | NEW | — | x.xxx ±0.15 | APPROVE | DATE | SHEET | 1/2 | TITLE: LSC Connector - Single Row Socket Crimp type (4 PIN) |
| | | | | Angle ± 3° | | | PROJ. | | Customer NO. |
| | | | | DIM TOL | | | | | |


WCON

Http: www.wcon.com
 WCON-Dongguan Tel: +86 769 85358920
 WCON-Kunshan Tel: +86 512 57468408
 Fax: +86 769 85358915
 E-mail: sales@wcon.com E-mail: salesks@wcon.com

HSF

Instructions:



| | | | | | | | | | | | | | |
|-----|------------|----------------------------|--------|-----------|-------|------------|--------------------|------------|--------------|--------------------------------|---|-----------------------|-------|
| | | | | OPERATION | | DRAW GH | DATE 2022/09/05 | SCALE | FIT mm | PART NO. 3915-S04-1C00GEXA1 |  Http: www.wcon.com | | |
| A2 | 2022/09/05 | Modified Withstand Voltage | — | x.x | ±0.40 | | | | | | | | CHECK |
| A1 | 2022/07/22 | Terminal Add Fool Proof | — | x.xx | ±0.25 | APPROVE | DATE | SIZE A4 | Customer NO. | Tel: +86 769 85358920 | | Tel: +86 512 57468408 | |
| A0 | 2019/12/11 | NEW | — | x.xxx | ±0.15 | | | | | E DIM | TOL | SHEET 2/2 | PROJ. |
| REV | DATE | MODIFICATION DESCRIPTION | CHANGE | | | | | | | | | | |