

# HSF

**TECHNICAL SPECS:**

Current Rating:1.0AMP  
 Contact Resistance:10mΩ Max  
 Dielectric Strength: Min 500Vrms  
 Mechanical Life: Min 500 cycles  
 Mating Pin:φ0.38 to φ0.50mm  
 Forces: (polished steel gauge φ0.41mm)  
 Insertion:150g Max/Pin, Withdrawal:30g Min/Pin  
 Operation Temperature:-40°C to +105°C

Sleeve:Brass CuZn36Pb3(C36000),Sn over Ni  
 Contact Clip(6 finger):BeCu(C17200),Au or Sn over Ni  
 Insulator Material:PPS+30%G.F(UL94V-0)

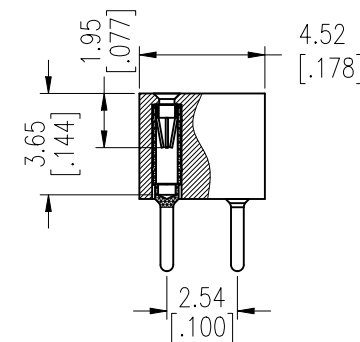
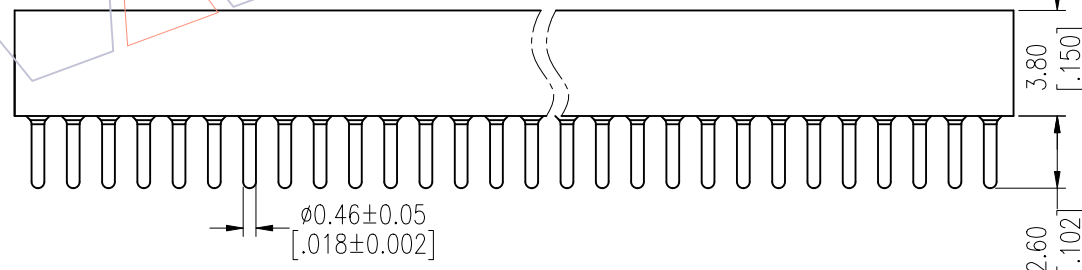
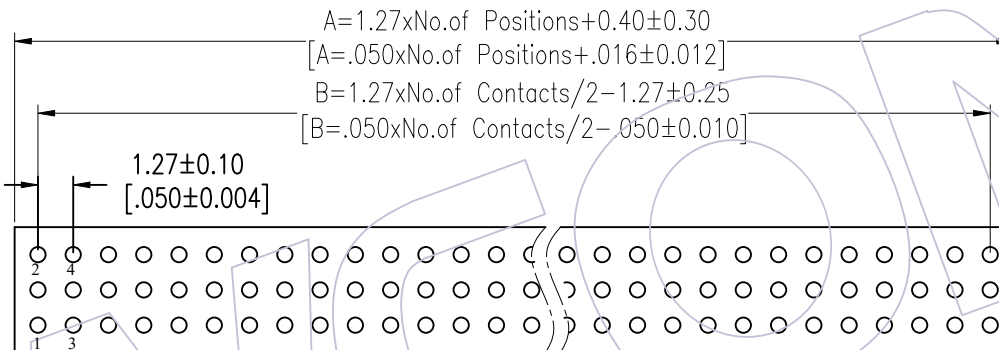
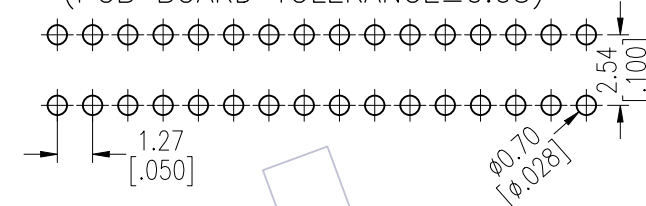
## Ordering Information

3525-382 XX S XX 060 X 1

No. of Pin 2~50PIN	Contact Plating S0=Gold Flash/Tin S3=10u"Gold/Tin S4=15u"Gold/Tin S5=30u"Gold/Tin SN=Tin	Packing A=Tray T=Tube
-----------------------	---	-----------------------------

Item	Pitch	Mating
Standard	1.27X2.54	3515
Alternate		

Recommended P.C.B Layout(Top Side)  
 (PCB BOARD TOLERANCE±0.05)



REV	DATE	MODIFICATION DESCRIPTION	CHANGE	OPERATION		DRAW	DATE	SCALE	FIT	PART NO.
				Angle	TOL					
A0	2012/10/17	NEW	-----	x.X	±0.40	JYHuang	2012/10/17	UNIT	mm	3525-382XXSXX060X1
				x.XX	±0.25	CHECK	DATE	SIZE	A4	TITLE:
				x.XXX	±0.15	APPROVE	DATE	SHEET	1/1	1.27x2.54mm MACHINED FEMALE HEADER DUAL ROW 180° Pin Length 6.0mm
				DIM	TOL			PROJ.	⌀	Customer NO.

# WCON

Http: www.wcon.com

WCON-Dongguan Tel: +86 769 85358920 Fax: +86 769 85358915 E-mail: sales@wcon.com	WCON-Kunshan Tel: +86 512 57468408 Fax: +86 512 57468468 E-mail: salesks@wcon.com
---	--