

HSF

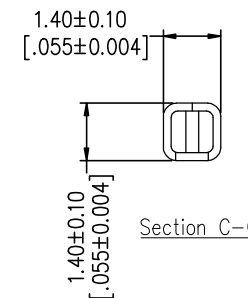
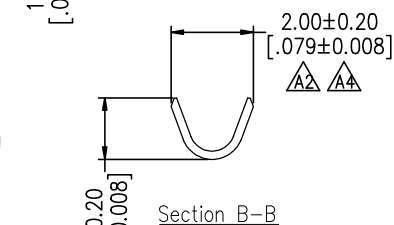
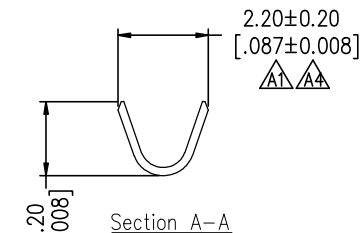
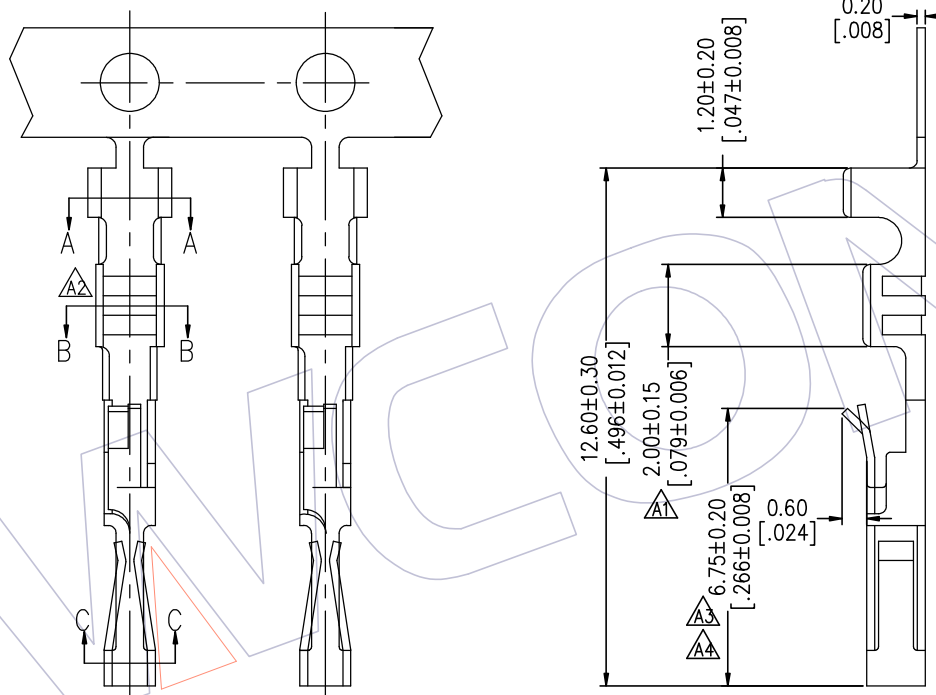
NOTES:
 Rated Current: 5AMP
 Rated Voltage: 250V AC/DC
 Contact Resistance: 20mΩ max
 Withstand Voltage: 1500V AC/Minute
 Insulation Resistance: 1000MΩ min
 Operation Temperature: -25°C to +85°C

Material: Phosphor Bronze
 Contact plating: Sn over Ni or Au over Ni
 Fit wire Range: 22#~26#AWG \triangle

Ordering Information

WF 2542 - TP XX 01

Material	Contact Plating
P=Phosphor bronze	S0=Gold Flash/Tin
	S3=10u"Gold/Tin
	S4=15u"Gold/Tin
	S5=30u"Gold/Tin
	SN=Tin



A5	2019/10/17	Add wire Range	—	OPERATION	DRAW	DATE	SCALE	FIT	PART NO.
A4	2017/12/05	Modify drawing	—	x.X	SU	2019/10/17	UNIT	mm	WF2542-TPXX01
A3	2012/05/14	Modify	—	x.XX	CHECK	DATE	SIZE	A4	TITLE:
A0	2008/07/09	NEW	—	x.XXX	APPROVE	DATE	SHEET	1/1	2.54mm CD-ROM WAFER TERMINAL
REV	DATE	MODIFICATION DESCRIPTION	CHANGE	Angle DIM	± 3' TOL		PROJ.	\diamond	Customer NO.

WCON

Http: www.wcon.com

WCON-Dongguan	WCON-Kunshan
Tel: +86 769 85358920	Tel: +86 512 57468408
Fax: +86 769 85358915	Fax: +86 512 57468468
E-mail: sales@wcon.com	E-mail: sales@wcon.com