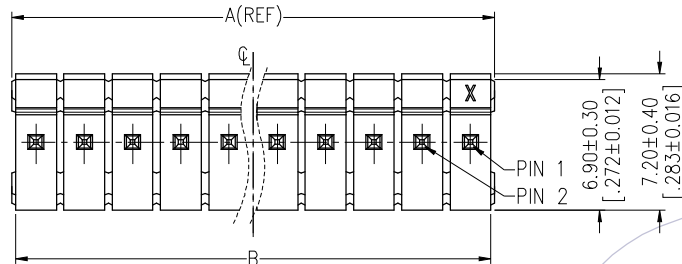


HSF

NOTES:
 Current Rating: 3.0AMP
 Voltage Rating: 250V
 Contact Resistance: 20m Ω Max
 Withstand Voltage: 1000V AC/minute
 Insulation Resistance: 1000M Ω Min
 Operation Temperature: -40℃ to +105℃

Contact Material: Copper Alloy
 Contact plating: See Ordering Information
 Insulator Material: PA66,UL94V-0,White.



Ordering Information

WF2545-CWS XX XX W 0 X

No. of pins:
02~36Pin

Packing:
0=PE Bag

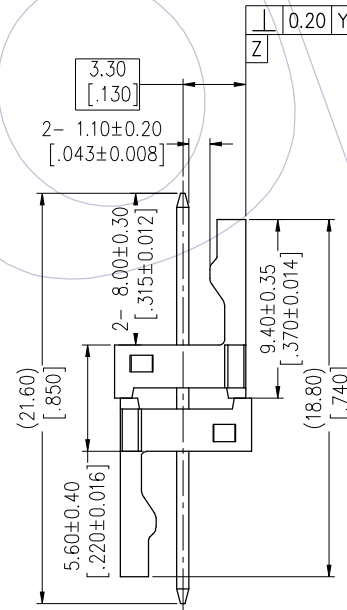
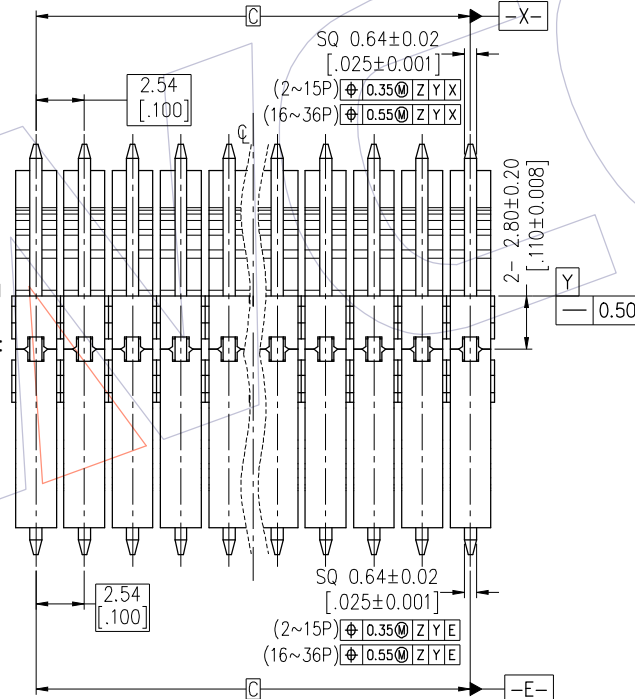
housing color:
W=White

Contact Plating:

S4=15u" Gold Plated On Contact Area
 80u" Min Tin Plated On Ni Plated
 50u" Min Nickel Plated Overall

G4=15u" Gold Over 50u" Nickel

Blank:
 Full Bright Tin 80u" Min Plated Overall



Pin No.	Part Number	Dim.A	Dim.B		Dim.C
			Standard	TOL.	
2P	WF2545-CWS02XXW02	5.08	4.68	±0.30	2.54
3P	WF2545-CWS03XXW02	7.62	7.22		5.08
4P	WF2545-CWS04XXW02	10.16	9.76		7.62
5P	WF2545-CWS05XXW02	12.70	12.30		10.16
6P	WF2545-CWS06XXW02	15.24	14.84		12.70
7P	WF2545-CWS07XXW02	17.78	17.38		15.24
8P	WF2545-CWS08XXW02	20.32	19.92		17.78
9P	WF2545-CWS09XXW02	22.86	22.46		20.32
10P	WF2545-CWS10XXW02	25.40	25.00		22.86
11P	WF2545-CWS11XXW02	27.94	27.54		25.40
12P	WF2545-CWS12XXW02	30.48	30.08	±0.40	27.94
13P	WF2545-CWS13XXW02	33.02	32.62		30.48
14P	WF2545-CWS14XXW02	35.56	35.16		33.02
15P	WF2545-CWS15XXW02	38.10	37.70		35.56
16P	WF2545-CWS16XXW02	40.64	40.24		38.10
17P	WF2545-CWS17XXW02	43.18	42.78		40.64
18P	WF2545-CWS18XXW02	45.72	45.32		43.18
19P	WF2545-CWS19XXW02	48.26	47.86		45.72
20P	WF2545-CWS20XXW02	50.80	50.40		48.26
21P	WF2545-CWS21XXW02	53.34	52.94		50.80
22P	WF2545-CWS22XXW02	55.88	55.48	±0.45	53.34
23P	WF2545-CWS23XXW02	58.42	58.02		55.88
24P	WF2545-CWS24XXW02	60.96	60.56		58.42
25P	WF2545-CWS25XXW02	63.50	63.10		60.96
26P	WF2545-CWS26XXW02	66.04	65.64		63.50
27P	WF2545-CWS27XXW02	68.58	68.18		66.04
28P	WF2545-CWS28XXW02	71.12	70.72		68.58
29P	WF2545-CWS29XXW02	73.66	73.26		71.12
30P	WF2545-CWS30XXW02	76.20	75.80		73.66
31P	WF2545-CWS31XXW02	78.74	78.34		76.20
32P	WF2545-CWS32XXW02	81.28	80.88	78.74	
33P	WF2545-CWS33XXW02	83.82	83.42	81.28	
34P	WF2545-CWS34XXW02	86.36	85.96	83.82	
35P	WF2545-CWS35XXW02	88.90	88.50	86.36	
36P	WF2545-CWS36XXW02	/	91.04	88.90	

REV	DATE	MODIFICATION DESCRIPTION	CHANGE	OPERATION		DRAW	DATE	SCALE	FIT	PART NO.	TITLE:	WCON	
				x.x	±0.40							QCX	2022/10/18
0	2022/10/18	NEW	--	x.xx	±0.25	CHECK	DATE	SIZE	A4	WF2545-CWSXXXW0X	2.54mm Wafer S/T Single Row,Breakable Double Plastic Reverse, Dip=3.60mm	Tel: +86 769 85358920	Tel: +86 512 57468408
				x.xxx	±0.15	APPROVE	DATE	SHEET	1/1		Customer NO.	Fax: +86 769 85358915	Fax: +86 512 57468468
				Angle	± 3'			PROJ.	Φ ↗	G1GE002		E-mail: sales@wcon.com	E-mail: salesks@wcon.com