

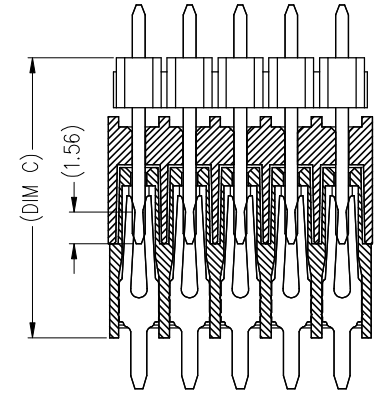
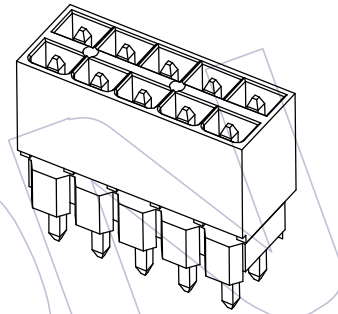
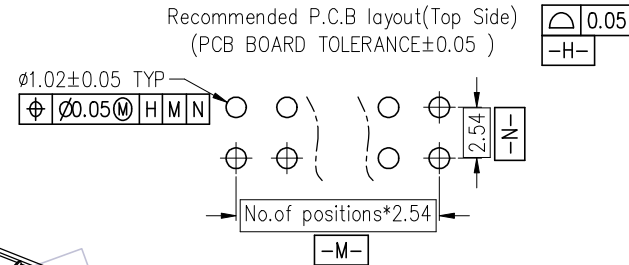
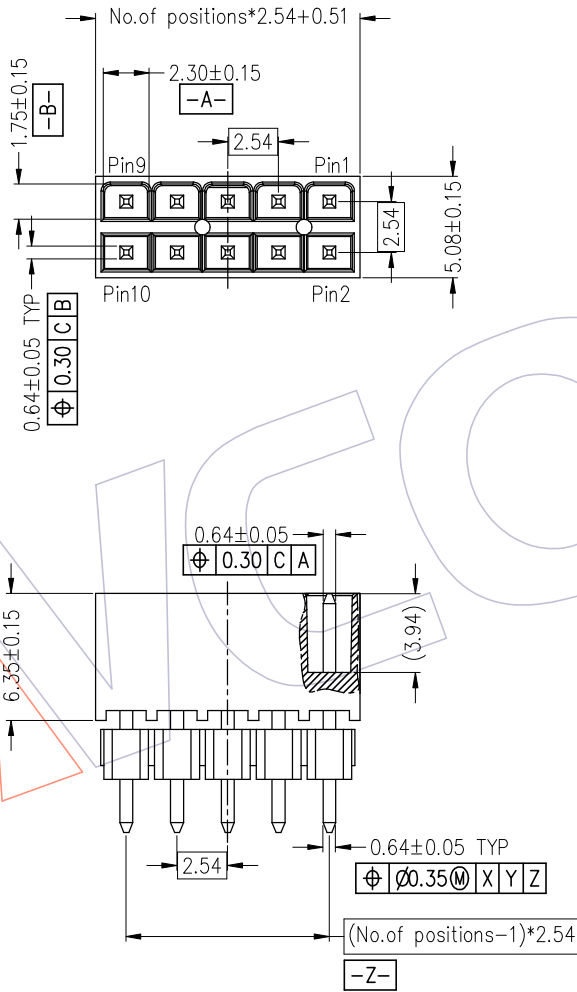
HSF

NOTES:
 Current Rating: 3.0AMP
 Voltage Rating: 250V
 Contact Resistance: 20mΩ Max
 Withstand Voltage: 775V AC
 Insulation Resistance: 1000MΩ Min
 Operation Temperature: -55℃ to +105℃
 Contact Material: Copper alloy
 Contact plating:
 XXu"Gold on contact area(See ordering information).
 100u"Matte-Tin on solder area.
 50u"Nickel underplating overall.
 Insulator Material:LCP UL94V-0(Std)
 IR solidering,Peak temperature: 260±5℃, 5s

Ordering Information

3600 - P XXX - XXX S XX X 01

TYPE P: Plug	Internal Code
No. of Pins(Total) 010: 10PIN (02-60PIN)	Packing: T: Tube R: Tape&Reel
Insulator Height 093:9.3mm	Contact Plating: W0=Gold Flash/Matte Tin W3=10u" Gold/Matte Tin W5=30u" Gold/Matte Tin
Contact Shape S: 180° DIP	



Female&Male mating

3600-PXXX-303SXXX01	30.30	2.46	35.00
3600-PXXX-253SXXX01	25.30	2.39	30.00
3600-PXXX-203SXXX01	20.30	2.31	25.00
3600-PXXX-153SXXX01	15.30	2.35	20.00
3600-PXXX-143SXXX01	14.30	2.46	19.00
3600-PXXX-123SXXX01	12.30	2.69	17.00
3600-PXXX-113SXXX01	11.30	2.16	16.00
3600-PXXX-093SXXX01	9.30	2.64	14.00
PN	DIM A	DIM B	DIM C

			OPERATION		DRAW	DATE	SCALE	FIT	PART NO. 3600-PXXX-XXXSXXX01		
			x.x ±0.40		Bruce	2020/05/12	UNIT	mm	TITLE: 2.54mm Board to Board Conn., "S" Type, Plug, 180° DIP, Increase the height		
			x.xx ±0.35		CHECK	DATE	SIZE	A4			
			x.xxx ±0.15		APPROVE	DATE	SHEET	1/2	Customer NO.		
			Angle ± 3°				PROJ.	⌀			
			DIM TOL								
AO	2020/05/12	NEW	-----								
REV	DATE	MODIFICATION DESCRIPTION	CHANGE								

WCON

Http: www.wcon.com
 WCON-Dongguan Tel: +86 769 85358920
 WCON-Kunshan Tel: +86 512 57468408
 Fax: +86 769 85358915
 Fax: +86 512 57468468
 E-mail: sales@wcon.com
 E-mail: salesks@wcon.com