

HSF

NOTES:

Voltage Rating: 50V AC/DC
 Current Rating: 0.5AMP
 Contact Resistance: 20mΩ max
 Withstand Voltage: 500V AC/Minute
 Insulation Resistance: 500MΩ min
 Operation Temperature: -40°C to +105°C

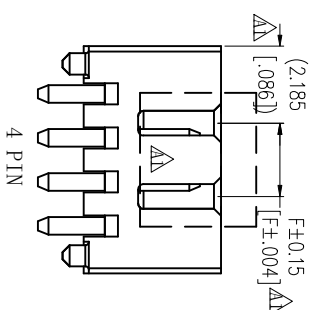
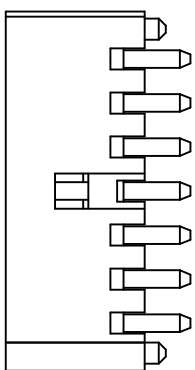
Contact Material: Brass
 Contact Plating: 100~200u" Matte Tin Plated Over
 50~100u" Nickel
 Insulator Material: PA9T+33%GF UL94V-0 BLACK

Ordering Information

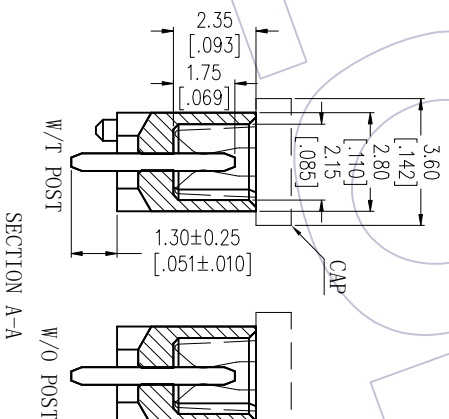
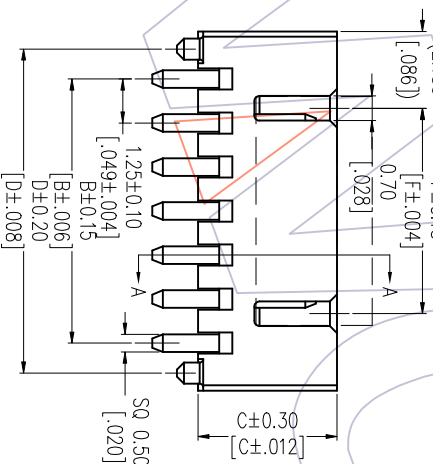
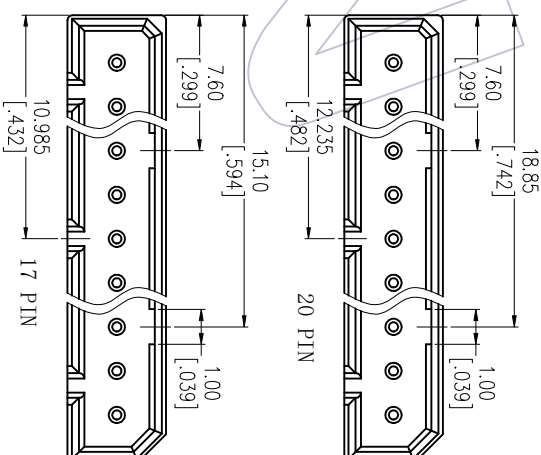
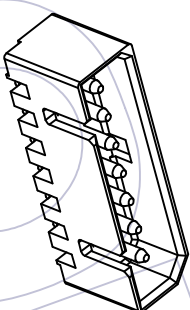
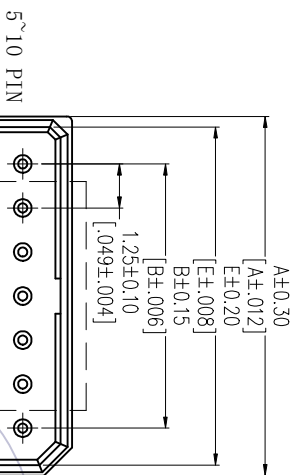
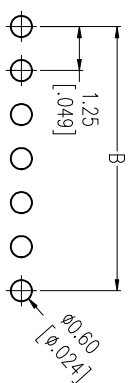
3652-P XXX - XXX XX R0X

No. of Pins Height of Housing Plating Packing
 004: 04 Pin 039: 3.95 G0=Gold Flash R=1ape&Reel
 005: 05 Pin 059: 5.95 G3=10u"Gold
 006: 06 Pin G4=15u"Gold
 007: 07 Pin G5=30u"Gold
 008: 08 Pin SM=Matte Tin
 010: 10 Pin
 017: 17 Pin
 020: 20 Pin

Pos	Part No.	DIM L
4-5PIN	CAP3652-G102	3.80
6-20PIN	CAP3652-G101	6.50



Recommended P. C. B Layout (Top Side)
 (PCB BOARD TOLERANCE ± 0.05)



22.08	25.85	25.45	23.75	26.45	20
18.33	22.10	21.70	20.00	22.70	17
9.58	13.35	12.95	11.25	13.95	10
7.08	10.85	10.45	5.95	11.45	8
5.83	9.60	9.20	3.95	10.20	7
4.58	8.35	7.95	6.25	8.95	6
3.33	7.10	6.70	5.00	7.70	5
2.08	5.85	5.45	3.75	6.45	4
F	E	D	C	B	A
					PIN数

3652-PXXX-XXXXXR03	W/O POST
3652-PXXX-XXXXXR04	W/T POST

REV	DATE	MODIFICATION DESCRIPTION	CHANGE	OPERATION	DRAW	DATE	SCALE	FIT	PART NO.	TITLE:	WCON-Dongguan	WCON-Kunshan
A1	2021.11.15	Correct 4Pin Drawing	---	XX	XSX	2021.11.15	mm	A4	3652-PXXX-XXXXXR0X	1.25mm BTB MALE, 180° DIP TYPE	Tel: +86 769 85358920	Tel: +86 512 57468408
A0	2016.10.25	NEW	---	X.XXX	CHECK	DATE	1/1	1/1	Customer NO.		Fax: +86 769 85358915	Fax: +86 512 57468468
				Angle	APPROVE	DATE	PROJ.				E-mail: sales@wcon.com	E-mail: sales@wcon.com
				± 3'								
				TOL								

WCON

Http: www.wcon.com

WCON-Dongguan
 Tel: +86 769 85358920
 Fax: +86 769 85358915
 E-mail: sales@wcon.com

WCON-Kunshan
 Tel: +86 512 57468408
 Fax: +86 512 57468468
 E-mail: sales@wcon.com