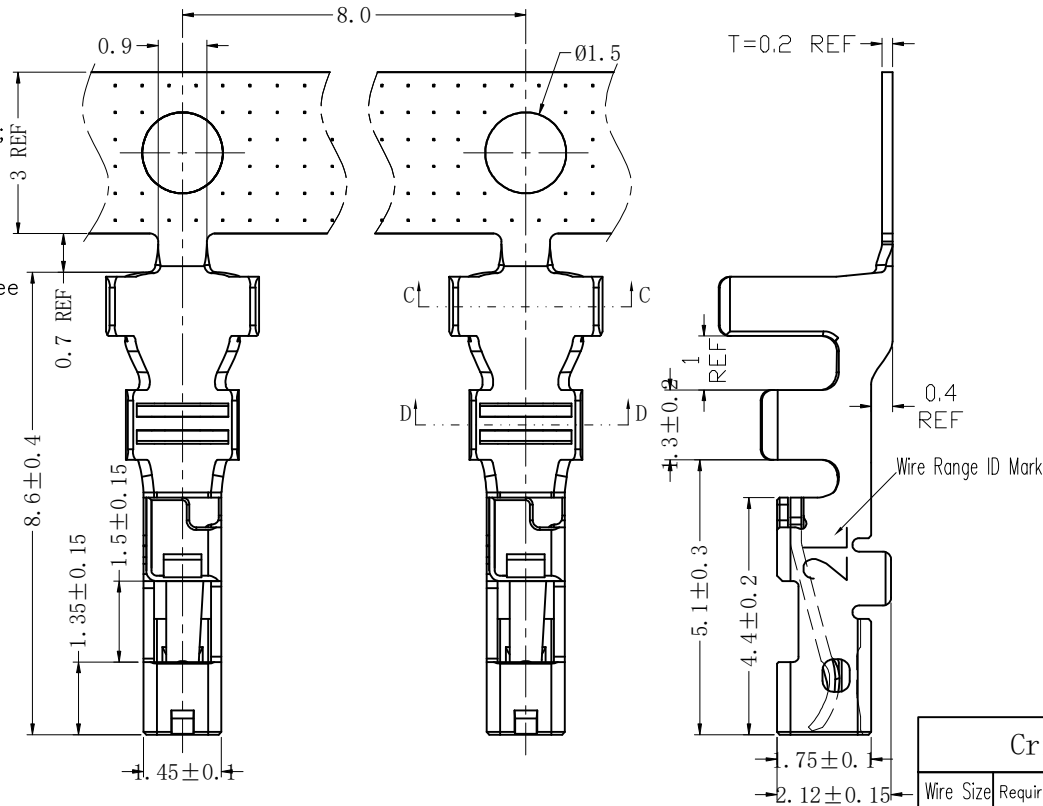


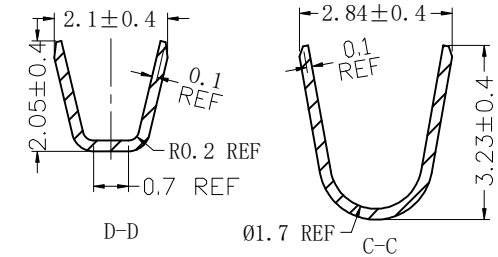
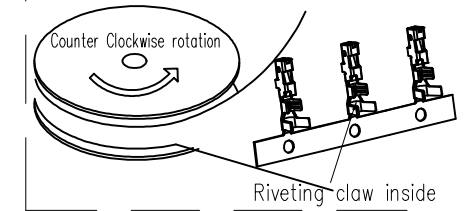


NOTES:

- 1.Current Rating:5A Max(18AWG Test);
- 2.Contact Resistance: 20mΩ Max;
- 3.Operating Temperature: -40°C to +125°C;
- 4.Contact Material:Copper Alloy;
- 5.Contact plating:
S4: 15μ" Gold on contact area (See ordering information),
50μ" Nickel underplating overall;
- 6.Wire Size Range:18-22AWG;
- 7.Insulation range:2.2-1.4mm;



SCHEMATIC DIAGRAM OF TERMINAL DISCHARGE



Ordering Information

WD3500- 3 T P 18 S4 01

3=Cutting + Electroplate+Forming

Terminal

Material:
P=C5191

Wire Size Range:18-22AWG

Contact Plating:
S4=15μ" Gold/Ni

WCON internal code

Crimping size of wire terminals for reference

Wire Size (AWG)	Required Crimping Size at Wire Barrel		Required Crimping Size at Insulation Barrel	
	Width(+/-0.05mm)	Height(+/-0.05mm)	Width(+/-0.05mm)	Height(+/-0.05mm)
18AWG	1.50	0.95	2.10MAX	1.85MAX
22AWG	1.35	0.78	1.55MAX	1.80MAX

REV	DATE	MODIFICATION DESCRIPTION	CHANGE	OPERATION		DRAW	DATE	SCALE	FIT	PART NO.	TITLE	WCON	
				X.X	±0.40							kevin-xin	2023.06.05
A1	2023.06.05	Increase schematic	—	X.XX	±0.25	CHECK	DATE	SIZE	A4	WD3500-3TP18S401	Crimp Terminal (18-22AWG)	WCON-Dongguan	WCON-Kunshan
A0	2021.09.25	NEW	—	X.XXX	±0.15	APPROVE	DATE	SHEET	1/1	Plating-Gold	Customer NO.	Tel: +86 769 85358920	Tel: +86 512 57468408
REV	DATE	MODIFICATION DESCRIPTION	CHANGE	Angle	± 3'		DATE	PROJ.				Fax: +86 769 85358915	Fax: +86 512 57468468
				DIM	TOL							E-mail: sales@wcon.com	E-mail: salesks@wcon.com