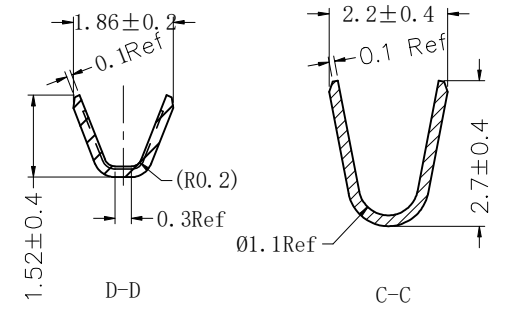
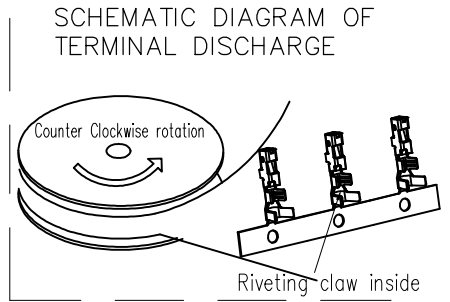
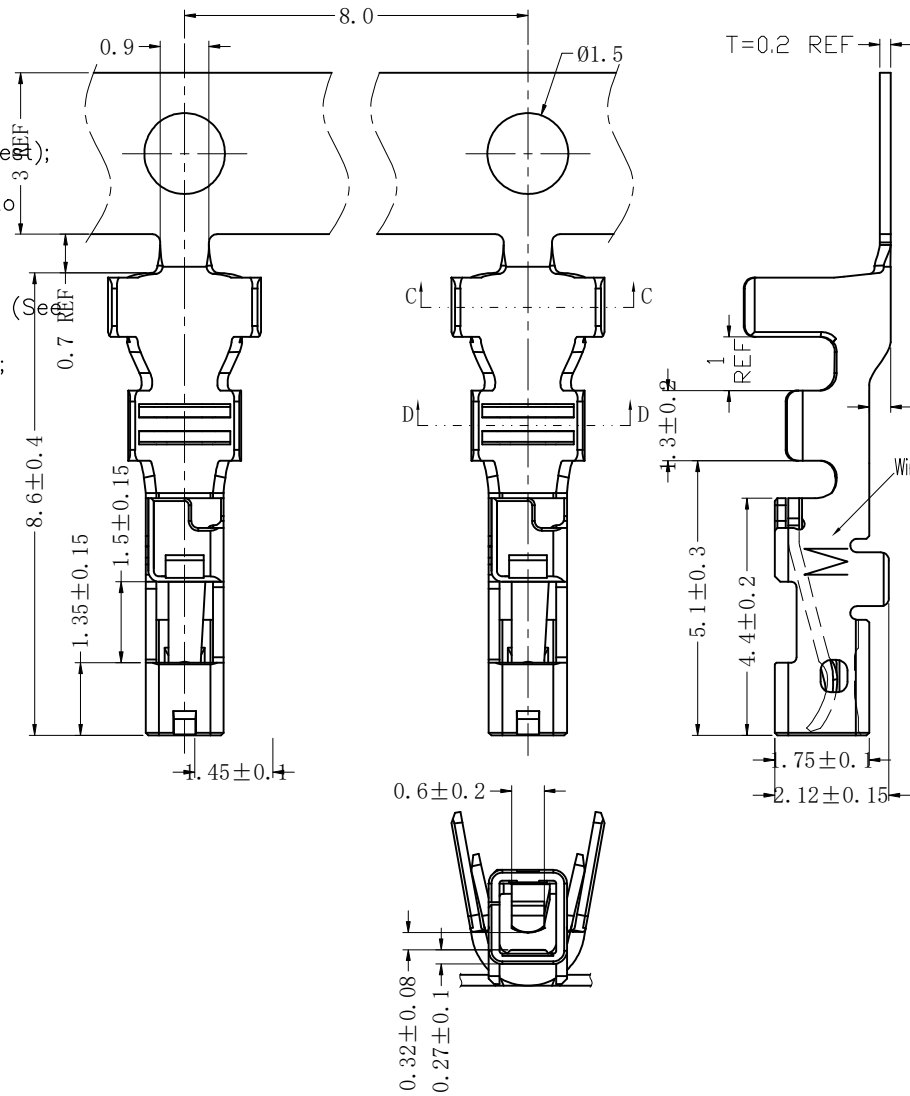




**NOTES:**

- 1.Current Rating: 3A Max(22AWG Terminal);
- 2.Contact Resistance: 20mΩ Max;
- 3.Operating Temperature: -40°C to +125°C;
- 4.Contact Material: Copper Alloy;
- 5.Contact plating:  
S4: 15μ" Gold on contact area (See ordering information),  
50μ" Nickel underplating overall;
- 6.Wire Size Range: 22-28AWG;
- 7.Insulation range: 1.6-1.08mm;



**Ordering Information**

WD3500- 3 T P 28 S4 01

3=Cutting + Electroplate+Forming

Terminal

Material: P=C5191

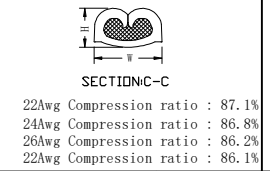
Wire Size Range: 22-28AWG

Contact Plating: S4=15μ" Gold/Ni

WCON internal code

**Crimping size of wire terminals for reference**

Wire Size (AWG)	Required Crimping Size at Wire Barrel		Required Crimping Size at Insulation Barrel	
	Width(+/-0.05mm)	Height(+/-0.05mm)	Width(+/-0.05mm)	Height(+/-0.05mm)
22AWG	1.35	0.78	1.55MAX	1.80MAX
24AWG	1.30	0.70	1.55MAX	1.70MAX
26AWG	1.25	0.60	1.35MAX	1.70MAX
28AWG	1.25	0.55	1.35MAX	1.70MAX



REV	DATE	MODIFICATION DESCRIPTION	CHANGE	OPERATION	DRAW	DATE	SCALE	FIT	PART NO.	TITLE: 3.5X3.3mm Dyn. Female Crimp Terminal (22-28AWG) Plating-Gold	Customer NO.
A2	2023.11.01	Renew content	—	X.X ±0.40	kevin-xin	2021.09.25	UNIT	mm	WD3500-3TP28S401		
A1	2023.06.05	Increase schematic	—	X.XX ±0.25	CHECK	DATE	SIZE	A4			
A0	2021.09.25	NEW	—	X.XXX ±0.15	APPROVE	DATE	SHEET	1/1			
				Angle ± 3°			PROJ.				
				DIM TOL							



Http: www.wcon.com  
 WCON-Dongguan Tel: +86 769 85358920 Fax: +86 769 85358915 E-mail: sales@wcon.com  
 WCON-Kunshan Tel: +86 512 57468408 Fax: +86 512 57468468 E-mail: salesks@wcon.com