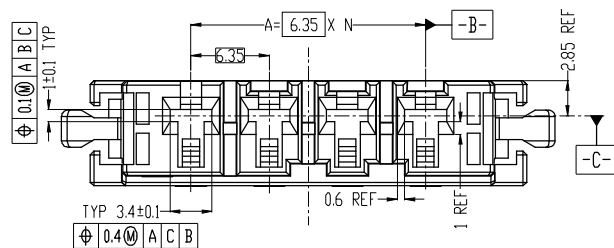


HSF

NOTES:

- 1.Voltage Rating:600V AC/DC;
- 2.Withstand Voltage: 2500V AC;
- 3.Insulation Resistance: 1000MΩ Min;
- 4.Operating Temperature: -55°C to +105°C;
- 5.Insulator Material: PBT,G.F,UL94V-0,BK;

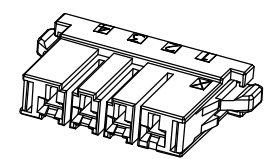
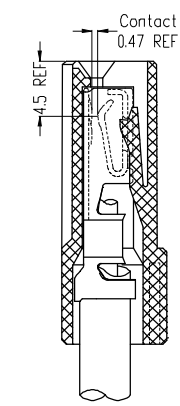
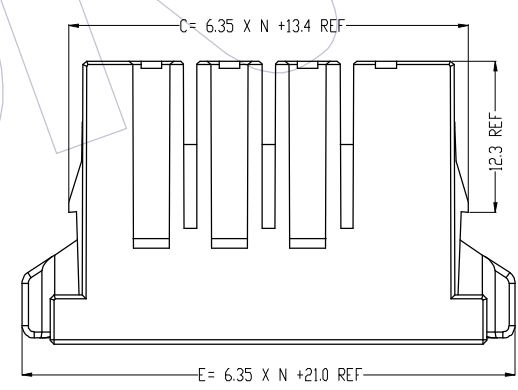
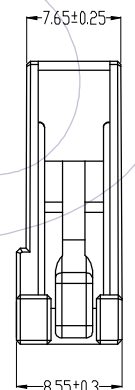
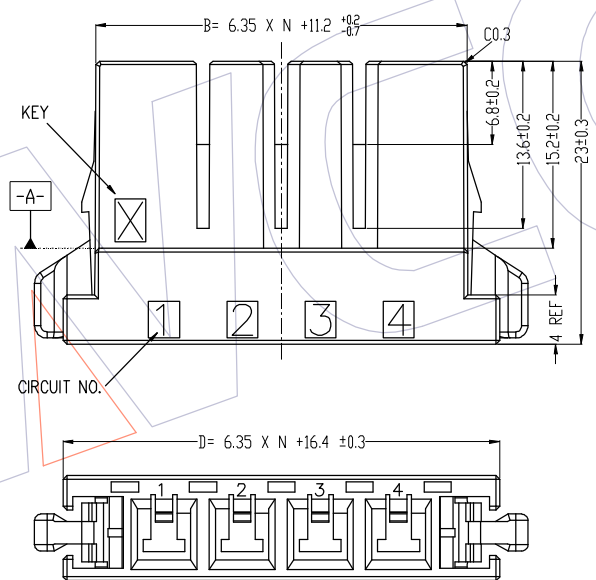


PIN	N	A	B	C	D	E	PART NO	KEY	KEY LOCATION
2	1	6.35	17.55	19.75	22.75	27.35	WD6350-1H02B001	X	
							WD6350-1H02B002	Y	
3	2	12.7	23.9	26.1	29.1	33.7	WD6350-1H03B001	X	
							WD6350-1H03B002	Y	
4	3	19.05	30.25	32.45	35.45	40.05	WD6350-1H04B001	X	
							WD6350-1H04B002	Y	

Ordering Information

WD6350-1 H XX B 0 OX

1=Single Row
H=HOUSING
No.of Pins:
02=2P; 03=3P; 04=4P
Color:
B=Black
PACKING:PE Bag
CODE OF KEYING
01=X; 02=Y



A0	2021. 06. 02	NEW	—	OPERATION	DRAW	DATE	SCALE	FIT	PART NO. WD6350-1HXXB00X	 Http: www.wcon.com	
				x.x	±0.40	Houfu Peng	2021. 06. 02	UNIT			mm
REV	DATE	MODIFICATION DESCRIPTION	CHANGE	x.xx	±0.25	CHECK	DATE	SIZE	A4	TITLE: 6.35mm DYN. Type	
				x.xxx	±0.15	APPROVE	DATE	SHEET	1/1	Single Row Housing	
				Angle	± 3'			PROJ.		Customer NO.	
				DIM	TOL					WCON-Dongguan Tel: +86 769 85358920 Fax: +86 769 85358915 E-mail: sales@wcon.com	WCON-Kunshan Tel: +86 512 57468408 Fax: +86 512 57468468 E-mail: salesks@wcon.com