

HSF

NOTES:
 Rated Current: 0.75AMP.
 Contact Resistance: 30mΩ Max.
 Withstand Voltage: 500V AC/DC
 Insulation Resistance: 1000MΩ Min.
 Operation Temperature: -40°C to +125°C(GOLD)
 -40°C to +105°C(TIN)

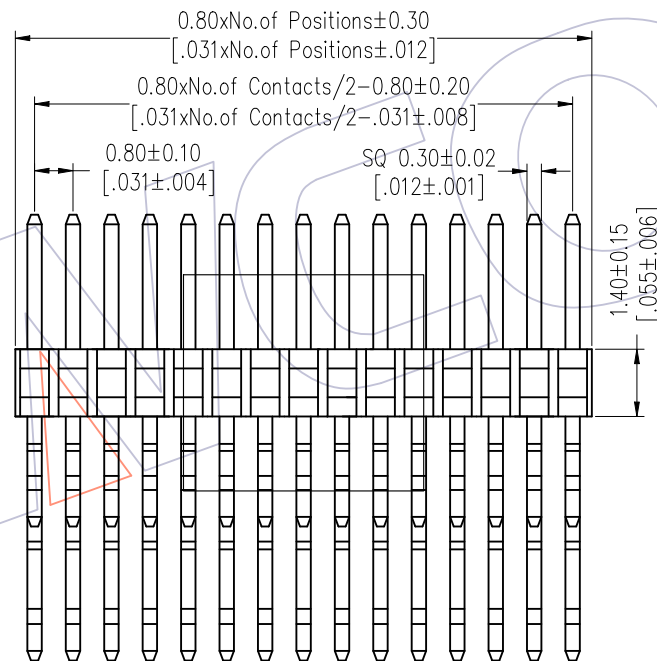
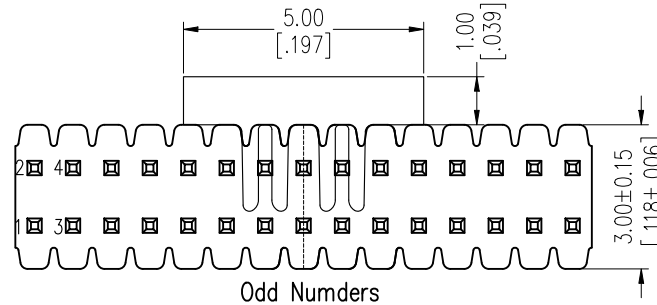
Contact Material: Brass
 Contact Plating: Au Over Ni
 Insulator Material: LCP+30%G.F UL94V-0 BK(std)
 or PA9T+33%G.F UL94V-0 BK

Ordering Information

1614-12 XX XX Z 068 X R XX

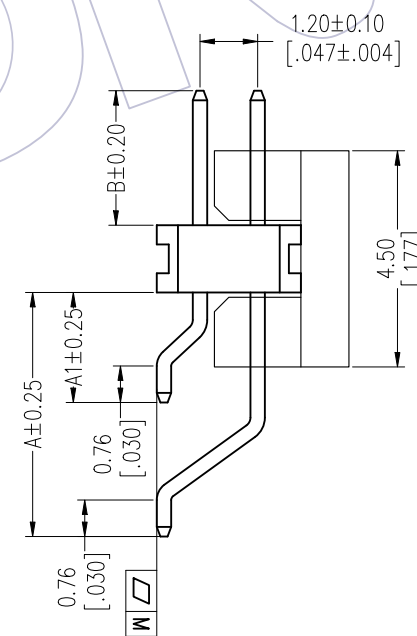
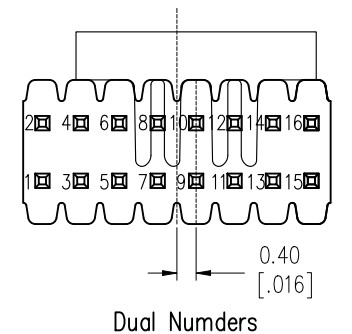
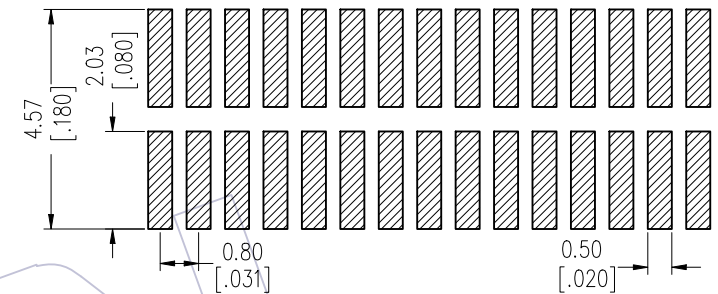
No. of Pins	Contact Plating	Pin length(Short)	Insulator	Series No.
Per Row: 02~50	G0=Gold Flash	L=A1+B+1.70	C=PA9T	Packing 01~99
	G3=10u"Gold	Standard:068=6.8	D=LCP	R=Tape&Reel+CAP
	G4=15u"Gold			
	G5=30u"Gold			
	SN=Tin			
	SM=Matte Tin			

Item	Pin Length	A1	A	B
Standard	6.8	2.29	5.08	2.80
Alternate				



Recommended P.C.B Layout (Top Side)

(PCB BOARD TOLERANCE±0.05)



REV	DATE	MODIFICATION DESCRIPTION	CHANGE	OPERATION	DRAW	DATE	SCALE	Fit	PART NO.
A4	2018/09/07	MODIFY	△△	Du Ying	x.x ±0.40	2020/08/07	UNIT	mm [inch]	1614-12XXXXZXXXXRX △△
A3	2018/06/19	Cancel Tray&Tube Packing	△△	XSR	x.xx ±0.25	DATE	SIZE	A4	TITLE:
A0	2012/02/28	NEW	-----		x.xxx ±0.15	DATE	SHEET	1/1	0.80*1.20 Pin Header, DUAL ROW, R/A&SMT, H=1.4
					Angle ± 3°	DATE	PROJ.		Customer NO.
					DIM TOL				

PIN	2-15P	16-25P	26-50P
M	0.10	0.15	0.25

WCON
 Http: www.wcon.com
 WCON-Dongguan Tel: +86 769 85358920
 WCON-Kunshan Tel: +86 512 57468408
 Fax: +86 769 85358915 Fax: +86 512 57468468
 E-mail: sales@wcon.com E-mail: salesks@wcon.com