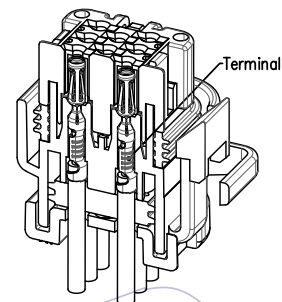
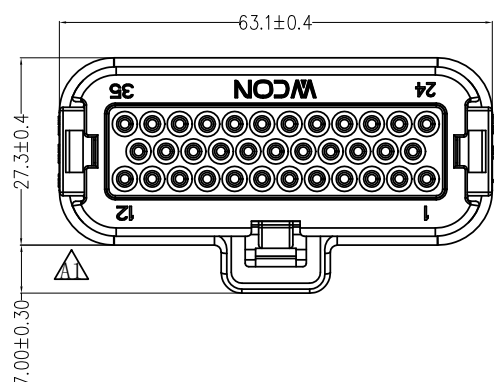
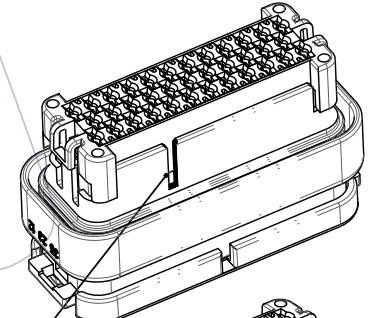


NOTES:
 No.of Positions: 35 Pin
 Housing Material: PBT
 Wire Size Range: 20-16AWG(1.0-1.5mm²)
 Operation Temperature: -40°C to +125°C
 Waterproof grade:IP68/IP69K(After installation)

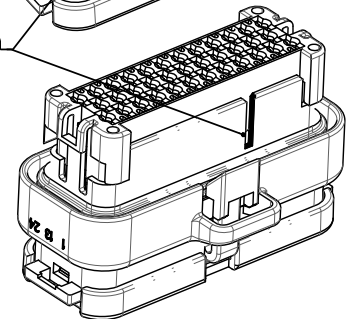


Serial Number	Part Name	Material	Consumption
1	Line end shell	PBT / BLACK	1
2	Line end sealing ring	Silicon rubber	1
3	Main body	PBT / GREY	1
4	Main sealing ring	Silicon rubber	1
5	Lock cover	PBT / RED	1

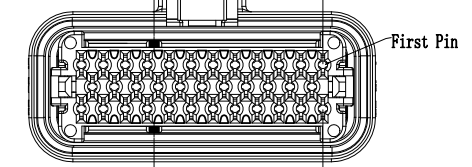
Assembly sketch



Stay Basin

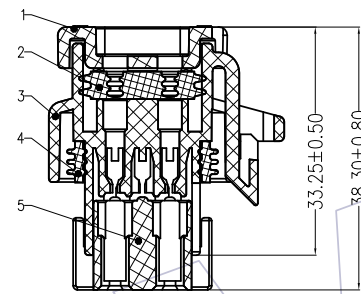


Stay Basin 30.75

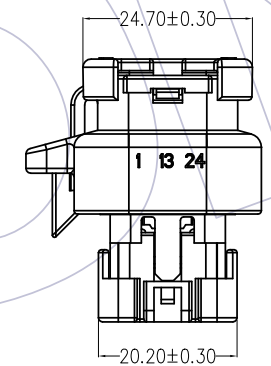
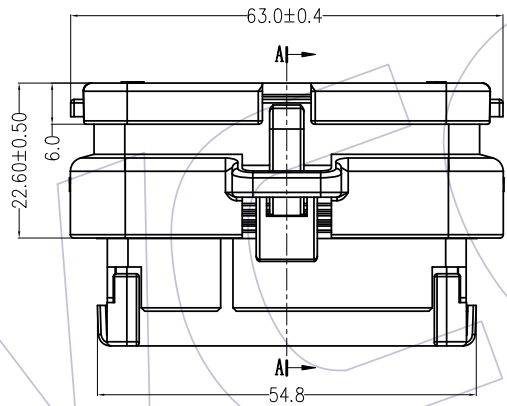


First Pin

Stay Basin 30.75



Section A-A



Ordering Information

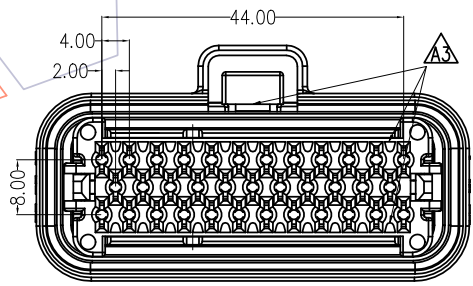
74040-3FC 035 A N 00 W A 3 W

No. of Pins:
035=35P

Body Material:
A=PBT

A=Tray

W=W/T WCON LOGO
Blank=W/O LOGO



Matched Plug Number:
74040-3MS035ABXXNA3 (W)
74040-3MS035ABXXJA3 (W)
74040-3MR035ABXXNA3 (W)
74040-3MR035ABXXJA3 (W)

REV	DATE	MODIFICATION DESCRIPTION	CHANGE	DIM	TOL	APPROVE	DATE	SHEET	PROJ.	PART NO.	TITLE:
A3	2021/09/03	Modify;ADD W/O LOGO SPEC. &P/N	XSR	OPERATION		DRAW	DATE	SCALE	FIT	74040-3FC035AN00WA3 (W) A3	4.0X4.0 three row car connector line end 35P socket
A2	2019/03/18	Modify	---	X.X	±0.40	XSR	2021/09/03	UNIT	mm		
A1	2018/11/29	Modify	---	X.XX	±0.25	CHECK	DATE	SIZE	inch		
A0	2018/09/01	NEW	---	X.XXX	±0.15			SHEET	1/1		
				Angle	± 3'			PROJ.	⌀	Customer NO.	

WCON
 Http: www.wcon.com

WCON-Dongguan Tel: +86 769 85358920 Fax: +86 769 85358915 E-mail: sales@wcon.com

WCON-Kunshan Tel: +86 512 57468408 Fax: +86 512 57468468 E-mail: salesks@wcon.com