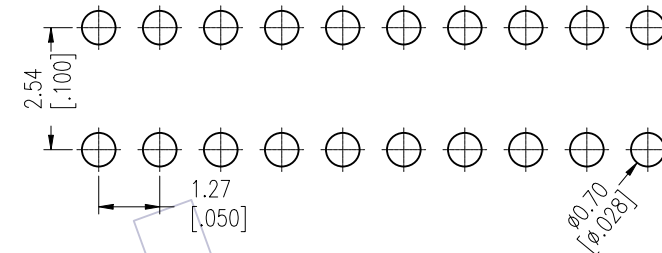
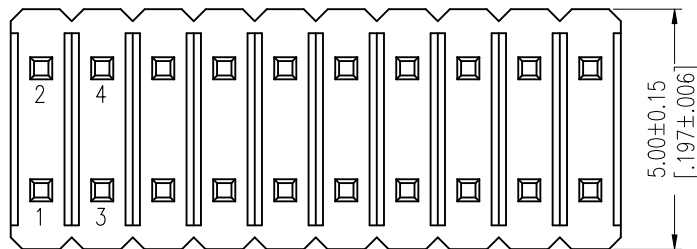


# HSF

NOTES:  
 Rated Current:1.0AMP.  
 Contact Resistance:20mΩ Max.  
 Withstand Voltage:500V AC/DC  
 Insulation Resistance:1000MΩ Min.  
 Operation Temperature:-40℃ to +105℃

Contact Material:Brass  
 Contact Plating:Au or Sn Over Ni  
 Insulator Material:PA9T+33%G.F UL94V-0 BK

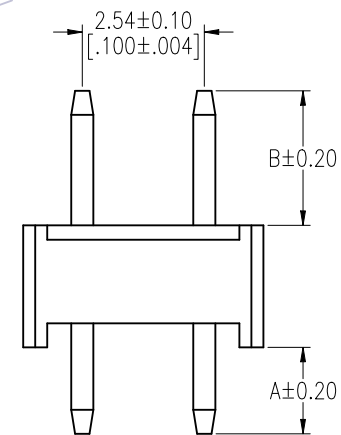
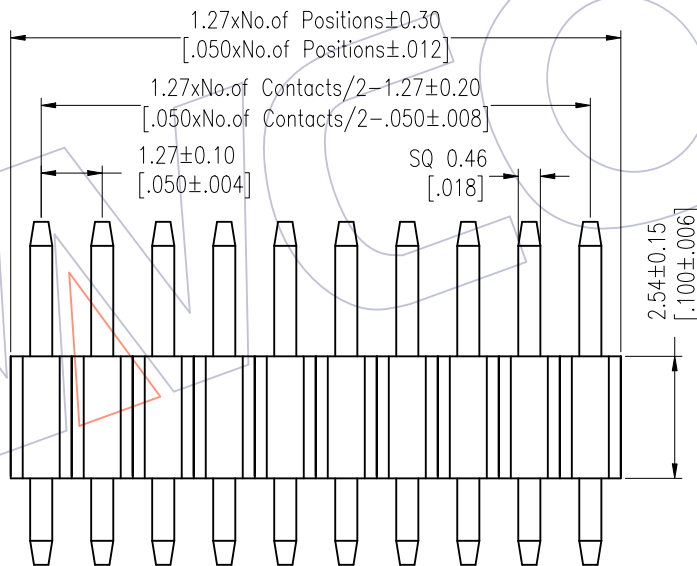
Recommended P.C.B Layout (Top Side)  
 (PCB BOARD TOLERANCE±0.05)



## Ordering Information

1425-12 XX XX S XXX C A XX

No.of Pins	Contact Plating	Pin Length	Insulator	Packing	Series No.
Per Row:02~50	G0=Gold Flash G3=10u"Gold G4=15u"Gold G5=30u"Gold S0=Gold Flash/Tin S3=10u"Gold/Tin S4=15u"Gold/Tin S5=30u"Gold/Tin SN=Tin SM=Matte Tin	L=A+B+2.5 Std:071=7.1 103=10.3	C=PA9T	A=Tray	01~99



Item	Pin Length	A	B	Mating
Standard	7.1	1.80	2.80	2446
	10.3	1.80	6.00	2485
Alternate				

REV	DATE	MODIFICATION DESCRIPTION	CHANGE	OPERATION	DRAW	DATE	SCALE	Fit	PART NO.
A1	2018/01/12	MODIFY PART NO.	-----	X.X ±0.40	William Chen	2018/01/12	UNIT	mm [inch]	1425-12XXXXSXXCXXX
A0	2012/04/06	NEW	-----	X.XX ±0.25	CHECK	DATE	SIZE	A4	TITLE: 1.27*2.54 Pin Header, DUAL ROW, S/T, H=2.54
				X.XXX ±0.15	APPROVE	DATE	SHEET	1/1	Customer NO.
				Angle ± 3'			PROJ.		
				DIM TOL					

**WCON**  
 Http: www.wcon.com  
 WCON-Dongguan Tel: +86 769 85358920  
 WCON-Kunshan Tel: +86 512 57468408  
 Fax: +86 769 85358915  
 Fax: +86 512 57468468  
 E-mail: sales@wcon.com  
 E-mail: salesks@wcon.com