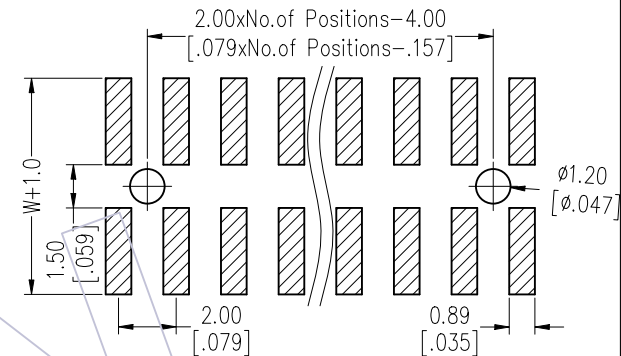
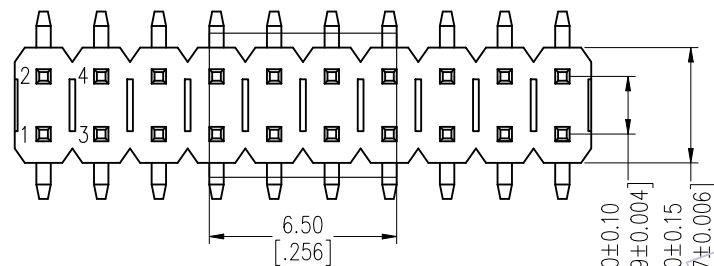


HSF

NOTES:
 Rated Current: 2.0AMP.
 Contact Resistance: 20mΩ Max.
 Withstand Voltage: 500V AC/DC
 Insulation Resistance: 1000MΩ Min.
 Operation Temperature: -40°C to +125°C(GOLD)
 -40°C to +105°C(TIN) Δ

Contact Material: Brass
 Contact Plating: Au or Sn Over Ni
 Insulator Material: PA9T+33%G.F UL94V-0 BK

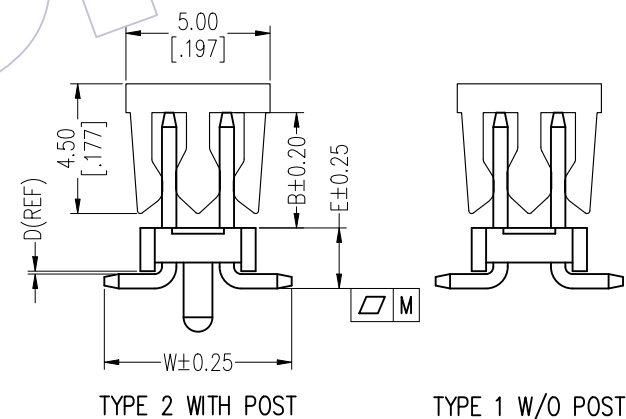
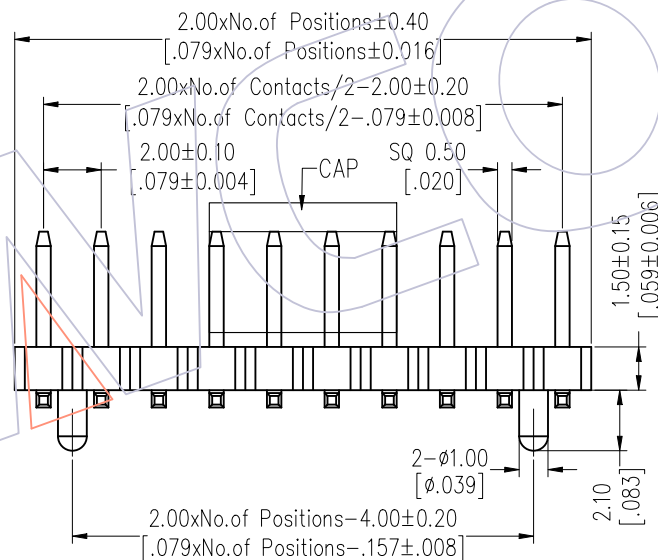
Recommended P.C.B Layout (Top Side)
 (PCB BOARD TOLERANCE ± 0.05)



Ordering Information

1215-12 XX XX M XXX C R XX Δ

No. of Pins Per Row: 02-40	Contact Plating G0=Gold Flash G3=10u"Gold G4=15u"Gold G5=30u"Gold S0=Gold Flash/Tin S3=10u"Gold/Tin S4=15u"Gold/Tin S5=30u"Gold/Tin SN=Tin SM=Matte Tin	Pin Length L=B+D+1.5+ $\frac{W^2}{2}$ Standard: 058=5.8 068=6.8 078=7.8	Insulator Material C=PA9T	Packing T=Tube P=Tube+CAP R=Tape&Reel+CAP	Series No. 01-99
-------------------------------	---	---	---------------------------------	--	---------------------



Item	Pin Length	W	E	B	Mating
Standard	5.80	6.50	2.10	2.00	2220T 2221 2227T 2228
	6.80	6.50	2.10	3.00	2235
	7.80	6.50	2.10	4.00	2240 2243 2263 2272
Alternate					

Δ	PIN	2-15P	16-25P	26-40P
	M	0.10	0.15	0.20

REV	DATE	MODIFICATION DESCRIPTION	CHANGE	OPERATION	DRAW	DATE	SCALE	Fit	PART NO.
A2	2018/09/07	Modify	Δ	X.X ± 0.40	Dwg	2018/09/07	UNIT	mm	1215-12XXXXMXXXCRXX Δ
A1	2018/01/18	Modify P/N	Δ	X.XX ± 0.25	CHECK	DATE	SIZE	A4	TITLE: PH2.00 DUAL ROW SMT H=1.5
A0	2012/04/18	NEW	-----	X.XXX ± 0.15	APPROVE	DATE	SHEET	1/1	Customer NO.
				Angle ± 3°			PROJ.		
				DIM TOL					

WCON
 Http: www.wcon.com
 WCON-Dongguan Tel: +86 769 85358920 Fax: +86 769 85358915 E-mail: sales@wcon.com
 WCON-Kunshan Tel: +86 512 57468408 Fax: +86 512 57468468 E-mail: salesks@wcon.com