

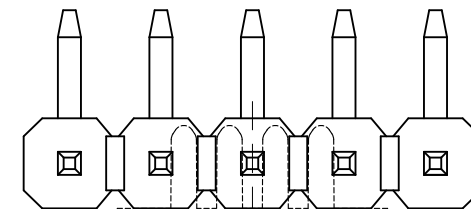
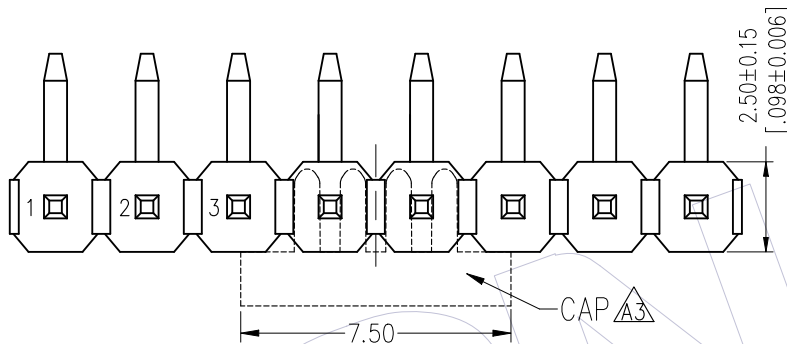
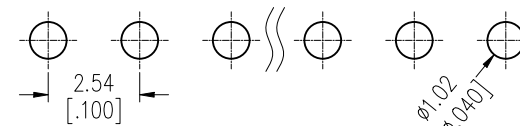
HSF

NOTES:
 Rated Current: 3.0AMP.
 Contact Resistance: 20mΩ Max.
 Withstand Voltage: 1000V AC/DC
 Insulation Resistance: 1000MΩ Min.
 Operation Temperature: -40°C to +105°C

Contact Material: Brass
 Contact Plating: Au or Sn Over Ni
 Insulator Material: PA9T+33%G.F UL94V-0 BK



Recommended P.C.B Layout (Top Side)
 (PCB BOARD TOLERANCE ±0.05)

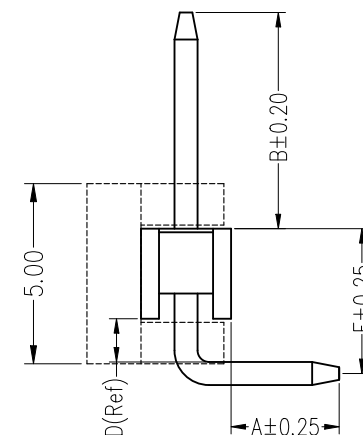
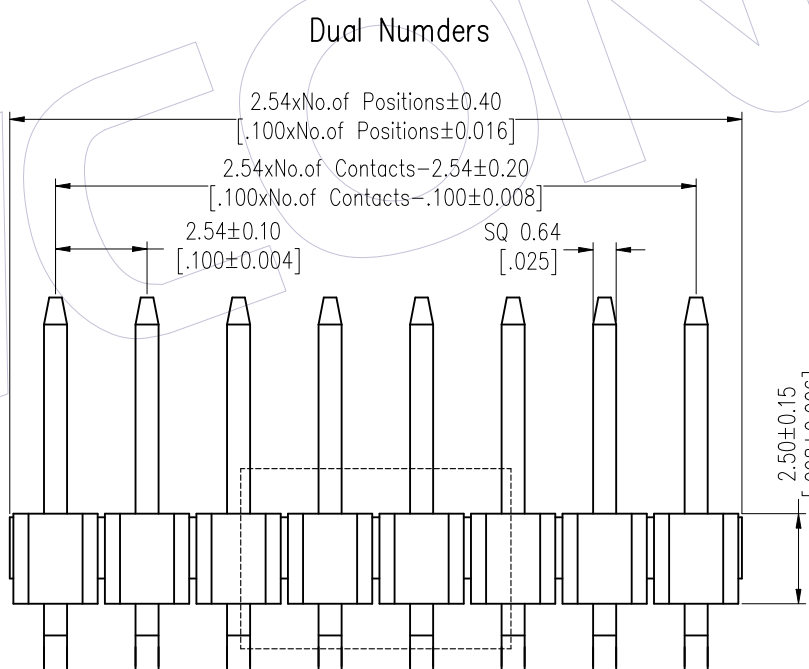


Odd Number

Ordering Information

1125-11 XX XX R XXX C X XX

No. of Pins: 02-40
 Contact Plating: G0=Gold Flash, G3=10u"Gold, G4=15u"Gold, G5=30u"Gold, S0=Gold Flash/Tin, S3=10u"Gold/Tin, S4=15u"Gold/Tin, S5=30u"Gold/Tin, SN=Tin, SM=Matte Tin
 Pin Length: L=A+B+D+3.75, Standard: 110=11.0, 140=14.0, 148=14.8
 Insulator Material: C=PA9T
 Packing: 0=PE Bag, T=Tube, R=Reel+CAP
 Series No.: 01-99



Item	Pin Length	A	E	B	Mating
Standard	11.00	3.00	4.02	3.00	2135
	14.00	3.00	4.02	6.00	2171 2185
	14.80	3.00	4.82	6.00	2171 2185
Alternate					

REV	DATE	MODIFICATION DESCRIPTION	CHANGE	OPERATION	DRAW	DATE	SCALE	Fit	PART NO.
A3	2021/01/11	Add CAP	Du Ying	OPERATION	Du Ying	2021/01/11	UNIT	mm	1125-11XXXXRXXXCXXX
A2	2018/06/02	Cancel PBT & Modify P/N	Surong Xu	x.X ±0.40	CHECK	DATE	SIZE	A4	TITLE: PH2.54 SINGLE ROW 90° CONCAVE BENDING H=2.5
A1	2018/01/22	Modify P/N	-----	x.XX ±0.25	APPROVE	DATE	SHEET	1/1	Customer NO.
A0	2012/05/17	NEW	-----	x.XXX ±0.15			PROJ.		
				Angle ± 3°					
				DIM	TOL				

WCON
 Http: www.wcon.com
 WCON-Dongguan Tel: +86 769 85358920
 WCON-Kunshan Tel: +86 512 57468408
 Fax: +86 769 85358915 Fax: +86 512 57468468
 E-mail: sales@wcon.com E-mail: salesks@wcon.com