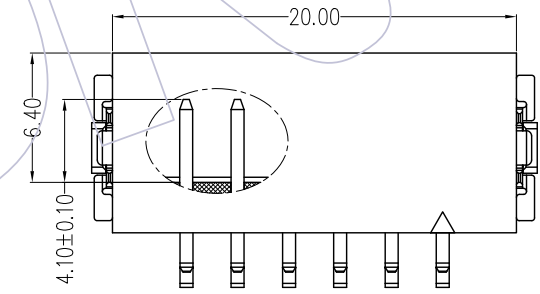
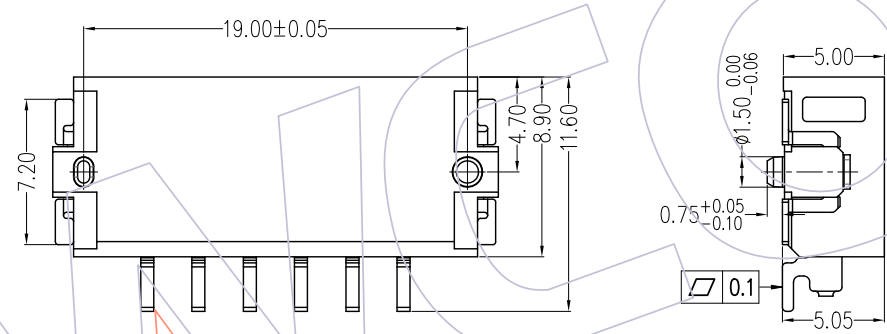
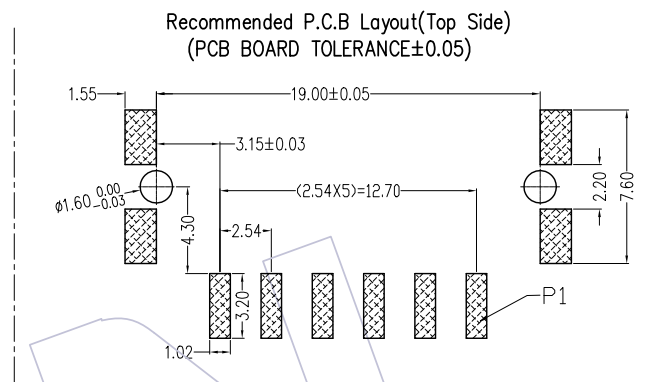
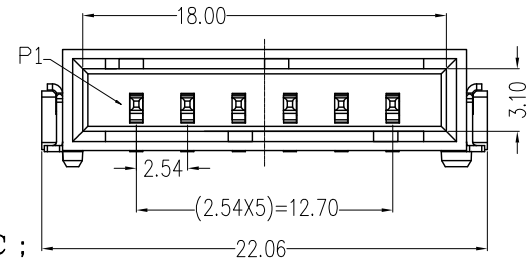


# HSF

**NOTES:**

- 1.No.of Positions:6 Pin
- 2.Rated Current:12.0 A Max;
- 3.Contact Resistance: 20mΩ Max;
- 4.Withstand Voltage: 2000V AC;
- 5.Insulation Resistance:1000MΩ Min ;
- 6.Operation Temperature:-55℃ to +150℃ ;
- 7.Contact Material:Copper Alloy
- 8.Contact Plating:Au or Sn Over Ni
- 9.Insulator Material:High Temperature Thermoplastic(UL94V-0)

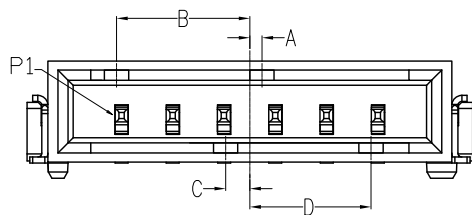


**Ordering Information**

3915-P 06-1 Z XX W D X R 1

Contact Plated:  
W3=10u" Gold /Matte Sn  
W4=15u" Gold /Matte Sn  
W5=30u" Gold /Matte Sn

Color:  
B=BLACK  
U=BLUE  
G=GREEN  
R=RED



PART NO.	COLOR	防呆尺寸			
		A	B	C	D
3915-P06-1ZXXWDBR1	BLACK	0.6	6.6	1.2	6.0
3915-P06-1ZXXWDUR1	BLUE	1.8	5.4	2.4	4.8
3915-P06-1ZXXWDGR1	GREEN	3.0	4.2	3.6	3.6
3915-P06-1ZXXWDRR1	RED	4.2	3.0	4.8	2.4

REV	DATE	MODIFICATION DESCRIPTION	CHANGE	OPERATION		DRAW XSR	DATE	SCALE	FIT	PART NO.	WCON	
				x.x	±0.40							
AO	2019/12/11	NEW		x.xx	±0.25	CHECK	2019/12/11	UNIT	mm	3915-P06-1ZXXWDXR1	Http: www.wcon.com	
				x.xxx	±0.15		DATE	SIZE	inch	TITLE:	WCON-Dongguan	WCON-Kunshan
				Angle	± 3'	APPROVE	DATE	SHEET	A4	LSC Connector - Single Row	Tel: +86 769 85358920	Tel: +86 512 57468408
				DIM	TOL			PROJ.	1/1	90°SMT Plug (6 PIN)	Fax: +86 769 85358915	Fax: +86 512 57468468
										Customer NO.	E-mail: sales@wcon.com	E-mail: salesks@wcon.com