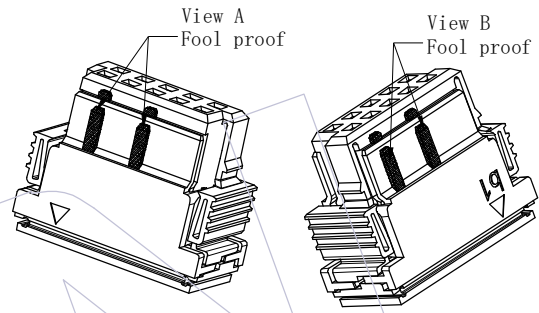
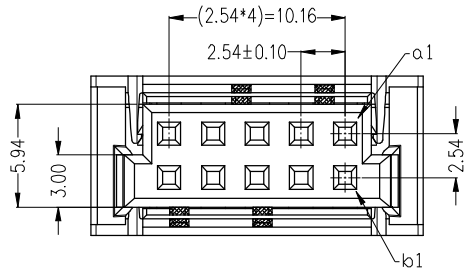


# HSF

**NOTES:**

- 1.No. of Positions:10 Pin
- 2.Withstand Voltage: 2000V AC; $\triangle$
3. Insulation Resistance:1000M $\Omega$  Min ;
4. Operation Temperature:-55 $^{\circ}$ C to +125 $^{\circ}$ C ;
- 5.Housing Material: PA46

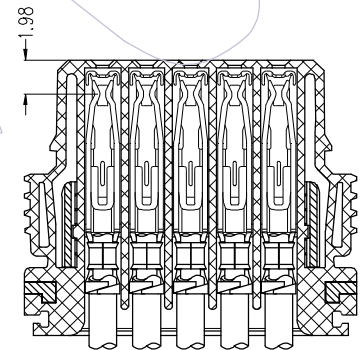
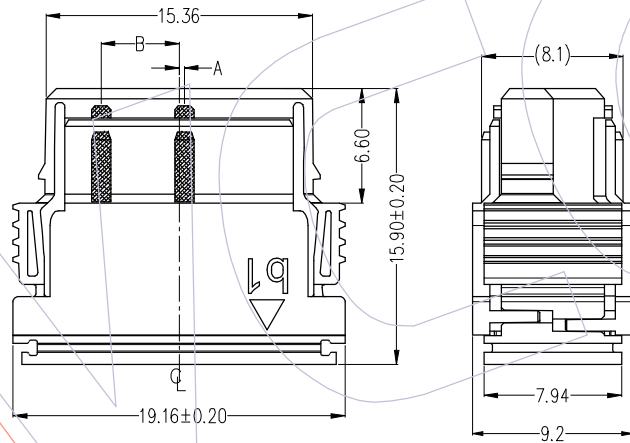


Fool proof diagram

**Ordering Information**

3915-S 10-2 C 00 G E X A 1

Color:  
B=BLACK  
U=BLUE  
G=GREEN  
R=RED



Terminal diagram

PART NO.	COLOR	防呆尺寸			
		A	B	C	D
3915-S10-2C00GEB A1	BLACK	0.3	4.5	0.9	3.9
3915-S10-2C00GEU A1	BLUE	1.5	3.3	2.1	2.7
3915-S10-2C00GEG A1	GREEN	2.7	2.1	3.3	1.5
3915-S10-2C00GER A1	RED	3.9	0.9	4.5	0.3

REV	DATE	MODIFICATION DESCRIPTION	CHANGE	OPERATION	DRAW	DATE	SCALE	FIT	PART NO.
A2	2022/09/05	Modified Withstand Voltage	—	x.x ±0.40	GH	2022/09/05	UNIT	mm	3915-S10-2C00GEXA1
A1	2022/07/22	Terminal Add Fool Proof	—	x.xx ±0.25	CHECK	DATE	SIZE	inch	
A0	2019/09/24	NEW	—	x.xxx ±0.15	APPROVE	DATE	SHEET	1/2	TITLE: LSC Connector - Dual Row Socket Crimp type (10 PIN)
				Angle ± 3'			PROJ.	Customer NO.	

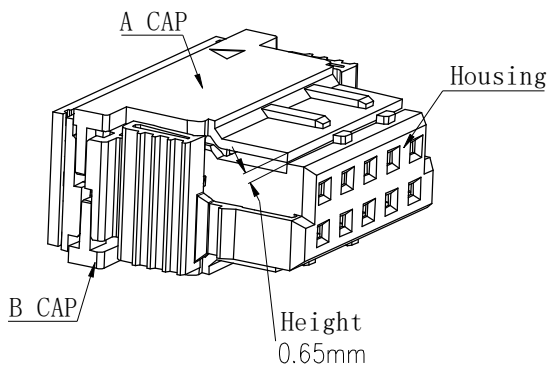
**WCON**

Http: www.wcon.com

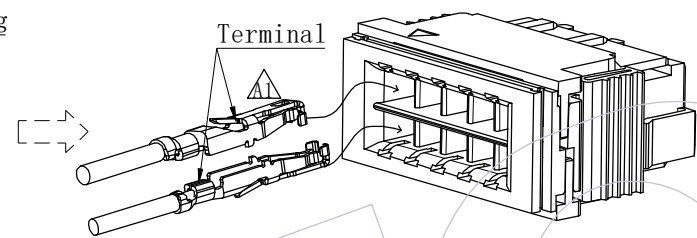
WCON-Dongguan Tel: +86 769 85358920 Fax: +86 769 85358915 E-mail: sales@wcon.com  
WCON-Kunshan Tel: +86 512 57468408 Fax: +86 512 57468468 E-mail: salesks@wcon.com

# HSF

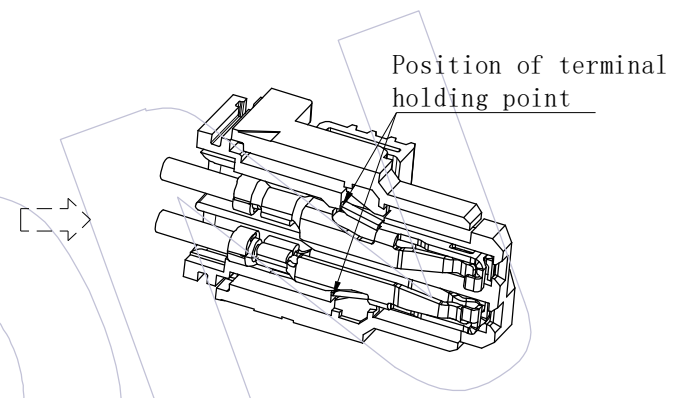
## Instructions:



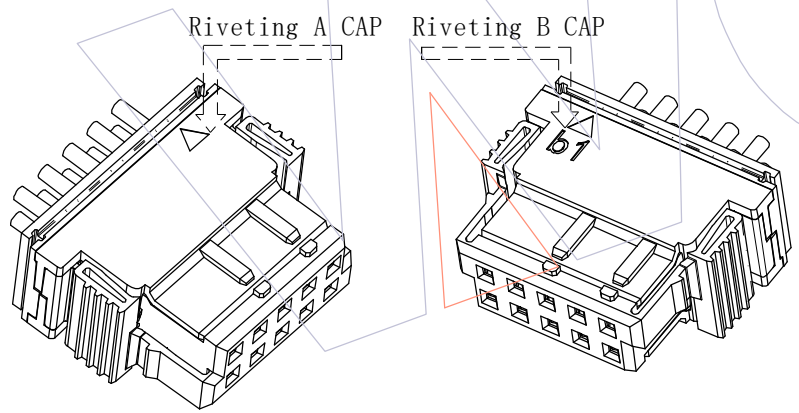
Cover loose mounted



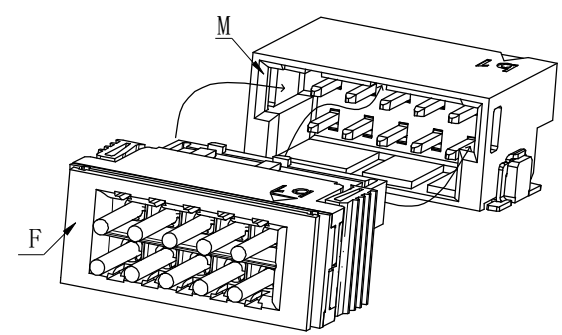
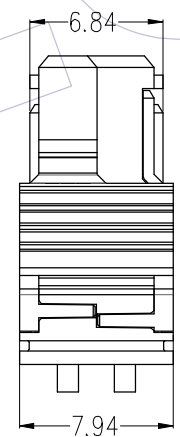
Inserted Female Terminal



Internal structure diagram



Riveting diagram



Male/Female Mate

REV	DATE	MODIFICATION DESCRIPTION	CHANGE	OPERATION	DRAW	DATE	SCALE	FIT	PART NO.
A2	2022/09/05	Modified Withstand Voltage	—	x.x ±0.40	GH	2022/09/05	UNIT	mm	3915-S10-2C00GEXA1
A1	2022/07/22	Terminal Add Fool Proof	—	x.xx ±0.25	CHECK	DATE	SIZE	inch	
A0	2019/09/24	NEW	—	x.xxx ±0.15	APPROVE	DATE	SHEET	2/2	TITLE:
				Angle ± 3°			DATE	PROJ.	⌀
				DIM TOL					Customer NO.

# WCON

Http: www.wcon.com

WCON-Dongguan Tel: +86 769 85358920  
WCON-Kunshan Tel: +86 512 57468408  
Fax: +86 769 85358915 Fax: +86 512 57468468  
E-mail: sales@wcon.com E-mail: salesks@wcon.com