

HSF

NOTES:
 Current Rating: 1.0AMP
 Contact Resistance: 20mΩ Max
 Withstand Voltage: 500V AC
 Insulation Resistance: 1000MΩ Min
 Operation Temperature: -40°C to +105°C

Contact Material: Phosphor Bronze
 Contact plating: Au Or Sn over Ni
 Insulator Material: PA9T+33%GF UL94V-0

Ordering Information

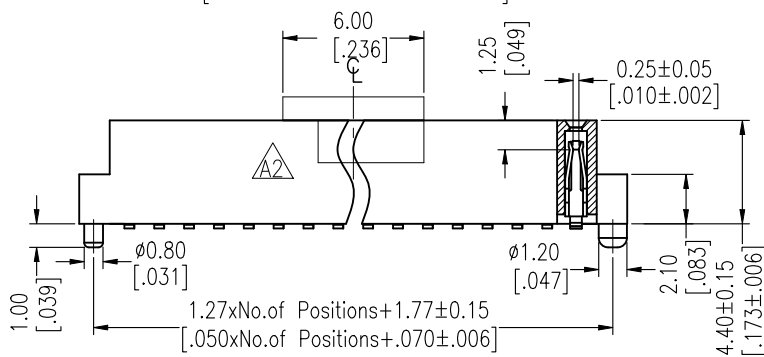
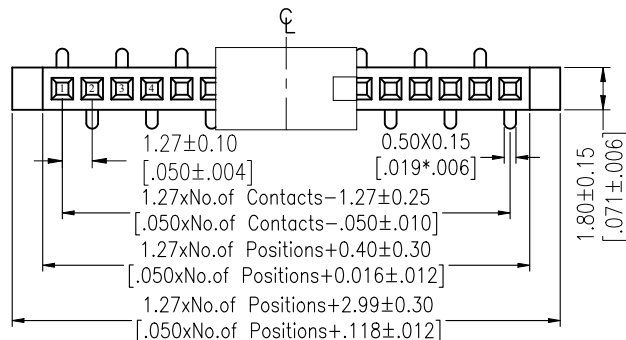
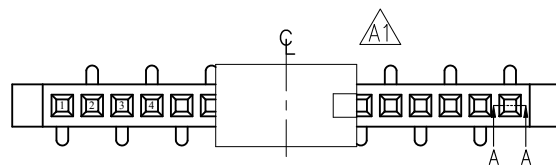
2344-1 XX M XX CUN X X

No. of Pins per Row: 02-50Pin

Contact Plating:
 G0=Gold Flash
 G3=10u"Gold
 G4=15u"Gold
 G5=30u"Gold
 S0=Gold Flash/Tin
 S3=10u"Gold/Tin
 S4=15u"Gold/Tin
 S5=30u"Gold/Tin
 SN=Tin

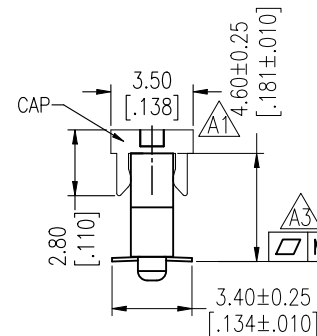
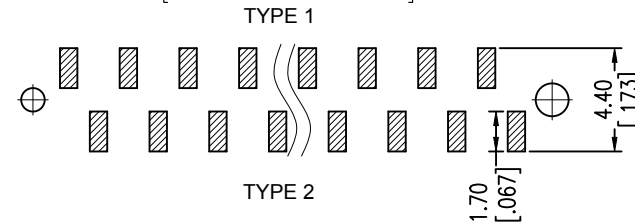
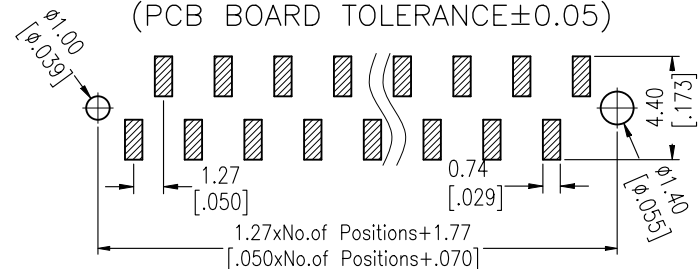
Packing:
 T=Tube
 P=Tube+CAP
 R=Tape&Reel+CAP

Series No.
 3=Type 1
 4=Type 2



Section A-A

Recommended P.C.B Layout(Top Side)
 (PCB BOARD TOLERANCE±0.05)



Item	Pitch	Mating
Standard	1.27	1310/1315/1320
Alternate		



Pin(Per Row)	2-15P	16-30P	31-50P
M	0.10	0.15	0.18

TITLE	PART NO.
TYPE 1	2344-1XXMXXXUNX3
TYPE 2	2344-1XXMXXXUNX4

REV	DATE	MODIFICATION DESCRIPTION	CHANGE	OPERATION	DRAW	DATE	SCALE	FIT	PART NO.
A3	2023/02/03	ADD Flatness	-----	OPERATION	DRAW	2023/02/03	UNIT	mm	SEE TABLE
A2	2017/04/14	MODIFY CAP	-----	x.X ±0.40	XSR		SIZE	A4	TITLE:
A1	2016/12/15	MODIFY CAP	-----	x.XX ±0.25	CHECK		SHEET	1/1	1.27mm Female Header SINGLE ROW
A0	2012/07/09	NEW	-----	x.XXX ±0.15	APPROVE		PROJ.		180°SMT H=4.40 WITH POST
				Angle ± 3°					Customer NO.
				DIM TOL					

WCON

Http: www.wcon.com

WCON-Dongguan
 Tel: +86 769 85358920
 Fax: +86 769 85358915
 E-mail: sales@wcon.com

WCON-Kunshan
 Tel: +86 512 57468408
 Fax: +86 512 57468468
 E-mail: salesks@wcon.com