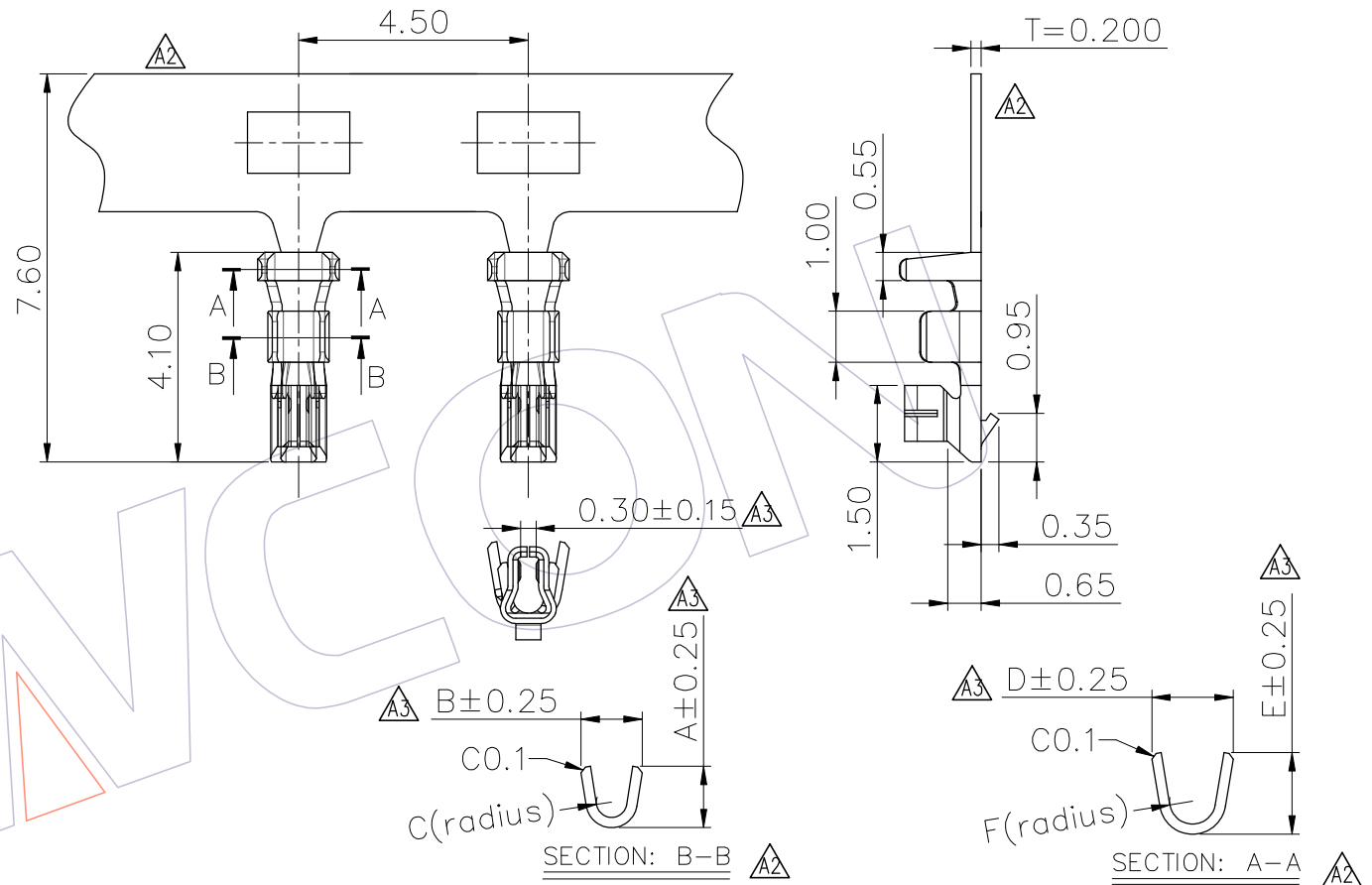


# HSF

NOTES:  
 Rated Current: 1.0AMP  
 Rated Voltage: 50V AC/DC  
 Contact Resistance: 20mΩ max  
 Withstand Voltage: 500V AC/Minute  
 Insulation Resistance: 500MΩ min  
 Operation Temperature: -25℃ to +85℃



## Ordering Information

WF 1501 - TP XX 0 X

Contact Plating  
 G0=Gold Flash  
 G3=10u"Gold  
 G4=15u"Gold  
 G5=30u"Gold  
 S0=Gold Flash/Tin  
 S3=10u"Gold/Tin  
 S4=15u"Gold/Tin  
 S5=30u"Gold/Tin  
 SN=Tin

PART NO.	标识	适用线径 (AWG#)	DIMENSIONS						
			A	B	C (radius)	D	E	(radius)	
WF1501-TPXX01	1	26-28	1.35	1.35	0.28	1.90	1.70	0.55	
WF1501-TPXX02	2	30-32	1.20	1.20	0.28	1.60	1.60	0.40	

REV	DATE	MODIFICATION DESCRIPTION	CHANGE	OPERATION	SCALE	FIT	PART NO.	TITLE:	Customer NO.
A3	2020/10/30	Modify the drawing	A3	DuYing	OPERATION	SCALE	WF1501-TPXX0X		
A2	2020/10/22	Modify the drawing	A2	DuYing	OPERATION	SCALE	WF1501-TPXX0X		
A1	2014/01/16	Modify the drawing		JYHuang	CHECK	FIT			
A0	2012/09/03	NEW			APPROVE	FIT			

# WCON

Http: www.wcon.com

WCON-Dongguan  
 Tel: +86 769 85358920  
 Fax: +86 769 85358915  
 E-mail: sales@wcon.com

WCON-Kunshan  
 Tel: +86 512 57468408  
 Fax: +86 512 57468468  
 E-mail: salesks@wcon.com