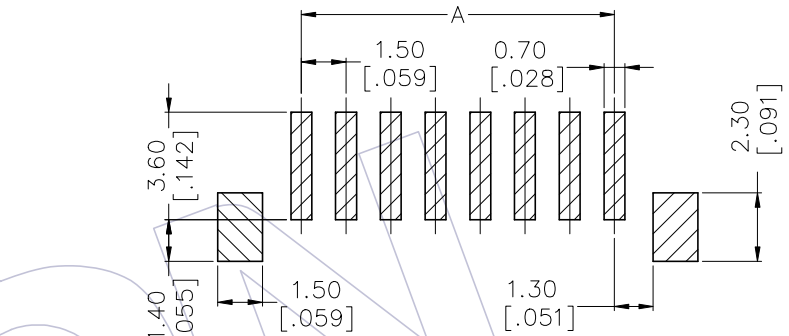
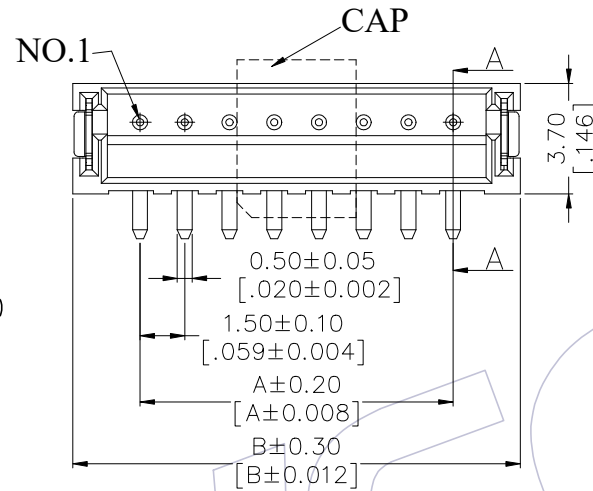


HSF

NOTES:
 Rated Current: 1.0AMP
 Rated Voltage: 100V AC/DC
 Contact Resistance: 20mΩ max
 Withstand Voltage: 500V AC/Minute
 Insulation Resistance: 500MΩ min
 Operation Temperature: -25℃ to +85℃
 Insulator Material: PA6T+30%G.F UL94V-0

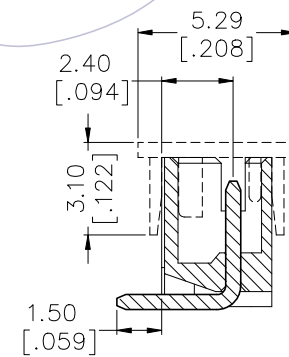
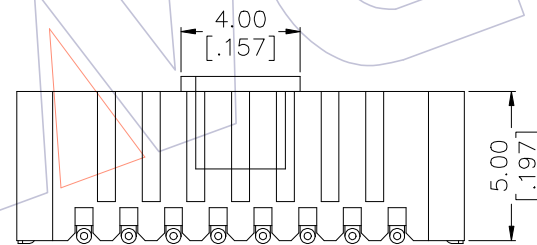
Recommended P.C.B Layout (Top Side)
 (PCB BOARD TOLERANCE ±0.05)



Ordering Information

WF1501 - WM XX X R 1

No. of pins: 02-15P
 Contact Plating: S0=Gold Flash/Tin, S3=10u"Gold/Tin, S4=15u"Gold/Tin, S5=30u"Gold/Tin, G0=Gold Flash, G3=10u"Gold, G4=15u"Gold, G5=30u"Gold, Blank=Tin
 Color: B=Black, T=Natural, W=White, E=Beige
 Packing: R=Reel



Circuit	Part No.	Dimension	
		A	B
2	WF1501-WM02ER1	1.50	6.00
3	WF1501-WM03ER1	3.00	7.50
4	WF1501-WM04ER1	4.50	9.00
5	WF1501-WM05ER1	6.00	10.50
6	WF1501-WM06ER1	7.50	12.00
7	WF1501-WM07ER1	9.00	13.50
8	WF1501-WM08ER1	10.50	15.00
9	WF1501-WM09ER1	12.00	16.50
10	WF1501-WM10ER1	13.50	18.00
11	WF1501-WM11ER1	15.00	19.50
12	WF1501-WM12ER1	16.50	21.00
13	WF1501-WM13ER1	18.00	22.50
14	WF1501-WM14ER1	19.50	24.00
15	WF1501-WM15ER1	21.00	25.50

REV	DATE	MODIFICATION DESCRIPTION	CHANGE	OPERATION	DRAW	DATE	SCALE	FIT	PART NO.
A3	2019/09/04	Modify Drawing	—	OPERATION	DRAW	2019/09/04	UNIT	FIT	SEE TAB
A2	2018/06/08	Add the Bump	△	x.x ±0.40	Liu		mm		
A1	2017/07/10	Modify the Mylar for the CAP	△	x.xx ±0.25	CHECK	DATE	inch		TITLE:
A0	2012/09/03	NEW	—	x.xxx ±0.15	APPROVE	DATE	SIZE	A4	ZH 1.50 WAFER 180° SMT
				Angle ± 3°			SHEET	1/1	Customer NO.
				DIM TOL			PROJ.		

WCON

Http: www.wcon.com

WCON-Dongguan
 Tel: +86 769 85358920
 Fax: +86 769 85358915
 E-mail: sales@wcon.com

WCON-Kunshan
 Tel: +86 512 57468408
 Fax: +86 512 57468468
 E-mail: salesks@wcon.com