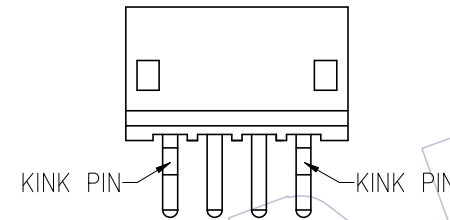
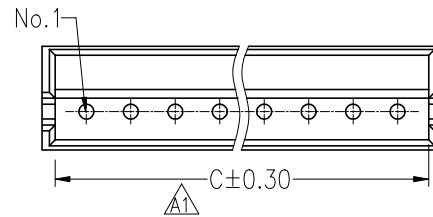
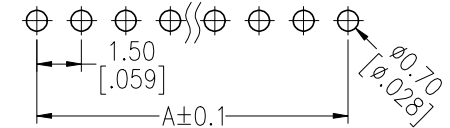


# HSF

NOTES:  
 Rated Current:1.0AMP  
 Rated Voltage:100V AC/DC  
 Contact Resistance:20mΩ max  
 Withstand Voltage:500V AC/Minute  
 Insulation Resistance:500MΩ min  
 Operation Temperature:-25℃ to +85℃

Contact Material:Brass  
 Contact plating:Au Or Sn Over Ni  
 Insulator Material:PA66 (UL94V-0)

Recommended P.C.B Layout(Top Side)  
 (PCB BOARD TOLERANCE±0.05)



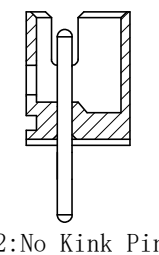
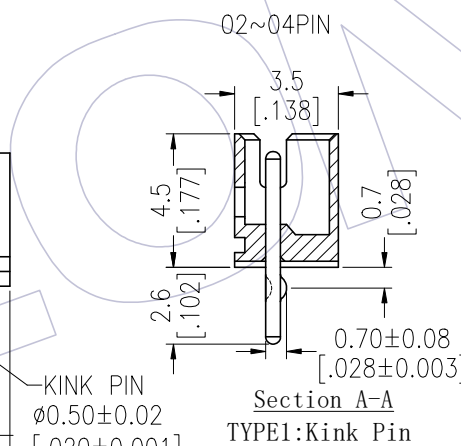
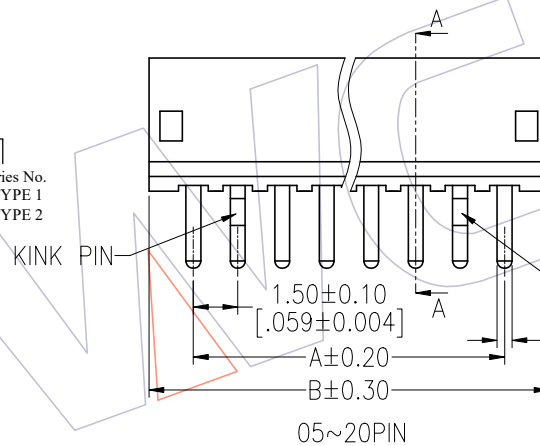
Specification & Ordering Information:

| Circuit | Part No.       | Dimension |       |       | Q'ty /Bag |
|---------|----------------|-----------|-------|-------|-----------|
|         |                | A         | B     | C     |           |
| 02      | WF1501-WS02X01 | 1.50      | 4.50  | 3.75  | 1,000     |
| 03      | WF1501-WS03X01 | 3.00      | 6.00  | 5.25  | 1,000     |
| 04      | WF1501-WS04X01 | 4.50      | 7.50  | 6.75  | 1,000     |
| 05      | WF1501-WS05X01 | 6.00      | 9.00  | 8.25  | 1,000     |
| 06      | WF1501-WS06X01 | 7.50      | 10.50 | 9.75  | 1,000     |
| 07      | WF1501-WS07X01 | 9.00      | 12.00 | 11.25 | 1,000     |
| 08      | WF1501-WS08X01 | 10.50     | 13.50 | 12.75 | 1,000     |
| 09      | WF1501-WS09X01 | 12.00     | 15.00 | 14.25 | 1,000     |
| 10      | WF1501-WS10X01 | 13.50     | 16.50 | 15.75 | 1,000     |
| 11      | WF1501-WS11X01 | 15.00     | 18.00 | 17.25 | 1,000     |
| 12      | WF1501-WS12X01 | 16.50     | 19.50 | 18.75 | 1,000     |
| 13      | WF1501-WS13X01 | 18.00     | 21.00 | 20.25 | 1,000     |
| 14      | WF1501-WS14X01 | 19.50     | 22.50 | 20.75 | 1,000     |
| 15      | WF1501-WS15X01 | 21.00     | 24.00 | 23.25 | 1,000     |
| 16      | WF1501-WS16X01 | 22.50     | 25.50 | 24.75 | 1,000     |
| 17      | WF1501-WS17X01 | 24.00     | 27.00 | 26.25 | 1,000     |
| 18      | WF1501-WS18X01 | 25.50     | 28.50 | 27.75 | 1,000     |
| 19      | WF1501-WS19X01 | 27.00     | 30.00 | 29.25 | 1,000     |
| 20      | WF1501-WS20X01 | 28.50     | 31.50 | 30.75 | 1,000     |

## Ordering Information



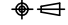
WF1501 - WS XX X 0 X

No.of pins: 02-20P  
 Contact Plating: S0=Gold Flash/Tin, S3=10u"Gold/Tin, S4=15u"Gold/Tin, S5=30u"Gold/Tin, G0=Gold Flash, G3=10u"Gold, G4=15u"Gold, G5=30u"Gold, Blank=Tin  
 Color: B=Black, T=Natural, W=White, E=Beige  
 Packing: 0=PE Bag  
 Series No.: 1=TYPE 1, 2=TYPE 2



| TITLE  | PART NO.       |
|--------|----------------|
| TYPE 1 | WF1501-WSXXX01 |
| TYPE 2 | WF1501-WSXXX02 |

Specification & Ordering Information:

| REV | DATE       | MODIFICATION DESCRIPTION  | CHANGE  | OPERATION   | DRAW    | DATE       | SCALE | FIT   | PART NO.                                  | <br><a href="http://www.wcon.com">Http: www.wcon.com</a> |
|-----|------------|---|---------|-------------|---------|------------|-------|---|---|---|
| A1  | 2022/06/24 | Add C Dimension  | DuYing  | x.X ±0.40   | DuYing  | 2022/06/24 | UNIT  | mm  | SEE TAB                                   |   |
| AO  | 2012/08/25 | NEW   | JYHuang | x.XX ±0.25  | CHECK   | DATE       | SIZE  | A4  | TITLE:<br>ZH 1.50 WAFER 180° DIP KINK PIN | WCON-Kunshan<br>Tel: +86 512 57468408<br>Fax: +86 512 57468468<br>E-mail: salesks@wcon.com  |
|     |            |   |         | x.XXX ±0.15 | APPROVE | DATE       | SHEET | 1/1   | Customer NO.                              |   |
|     |            |   |         | Angle ± 3'  |         |            | PROJ. |  |   |   |
|     |            |   |         | DIM TOL     |         |            |       |   |   |   |