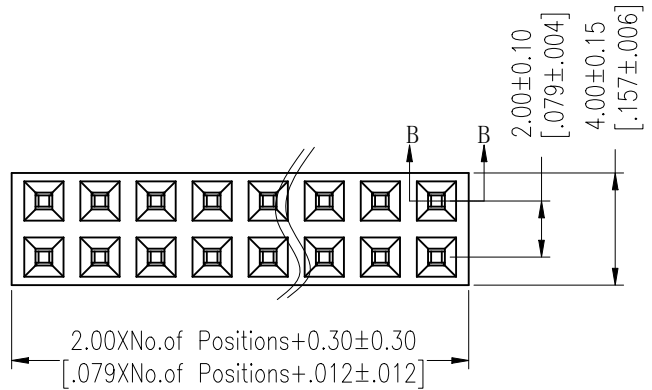


HSF

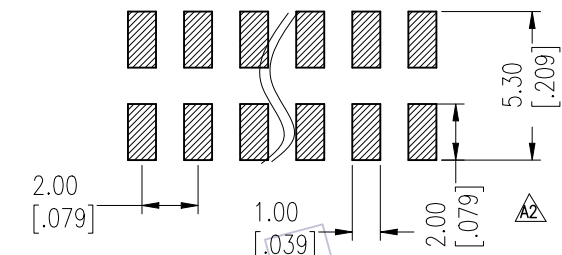
NOTES:

Current Rating: 2.0AMP
 Contact Resistance: 20mΩ Max
 Withstand Voltage: 500V AC
 Insulation Resistance: 1000MΩ Min
 Operation Temperature: -40°C to +105°C

Contact Material: Phosphor Bronze
 Contact plating: Au Or Sn over Ni
 Insulator Material: LCP+30%G.F UL94V-0



Recommended P.C.B Layout (Top Side)
 (PCB BOARD TOLERANCE ±0.05)

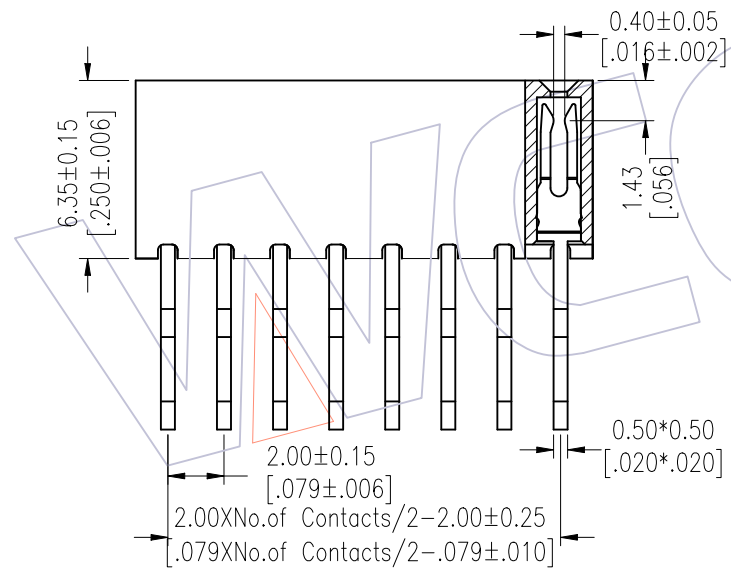


Ordering Information

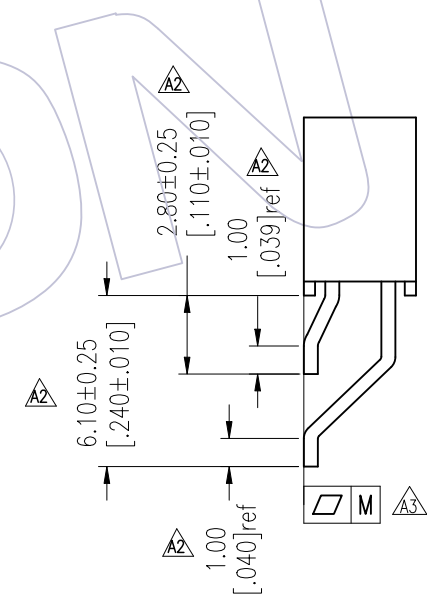
2263 - 2 XX Z XX D Y N X 1

No. of Pins per ROW: 02-40PIN
 Contact Plating: G0=Gold Flash, G3=10μ"Gold, G4=15μ"Gold, G5=30μ"Gold, S0=Gold Flash/Tin, S3=10μ"Gold/Tin, S4=15μ"Gold/Tin, S5=30μ"Gold/Tin, SN=Tin, SM=Matte Tin
 Insulator: D=LCP
 Packing: T=Tube, R=Reel

| Item | Pitch | Mating |
|-----------|-------|-----------|
| Standard | 2.00 | 1215/1220 |
| Alternate | | |



SECTION B-B



| Pin(Per Row) | 2-15P | 16-25P | 26-40P |
|--------------|-------|--------|--------|
| M | 0.10 | 0.15 | 0.25 |

| REV | DATE | MODIFICATION DESCRIPTION | CHANGE | OPERATION | DRAW | DATE | SCALE | FIT | PART NO. |
|-----|------------|---|--------|-------------|---------|------------|--------------|-----|--|
| A3 | 2023/02/14 | Add Flatness | ----- | OPERATION | XSR | 2023/02/14 | UNIT | mm | 2263-2XXZXDYNX1 |
| A2 | 2013/04/29 | Modify drawing 6.95 → 6.10, 3.40 → 2.80 | ----- | x.X ±0.30 | CHECK | DATE | SIZE | A4 | TITLE: |
| A1 | 2013/03/15 | Modify drawing | ----- | x.XX ±0.25 | APPROVE | DATE | SHEET | 1/1 | 2.0mm Female Header DOUBLE ROW 90°SMT H=6.35 |
| A0 | 2012/09/12 | NEW | ----- | x.XXX ±0.15 | DATE | PROJ. | Customer NO. | | |
| | | | | Angle ± 3° | | | | | |
| | | | | DIM TOL | | | | | |

WCON
 Http: www.wcon.com
 WCON-Dongguan Tel: +86 769 85358920
 WCON-Kunshan Tel: +86 512 57468408
 Fax: +86 769 85358915 Fax: +86 512 57468468
 E-mail: sales@wcon.com E-mail: salesks@wcon.com