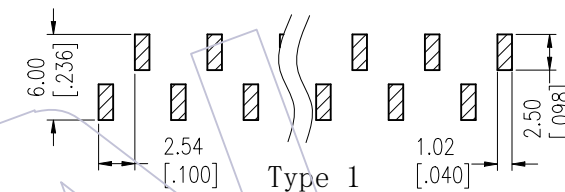
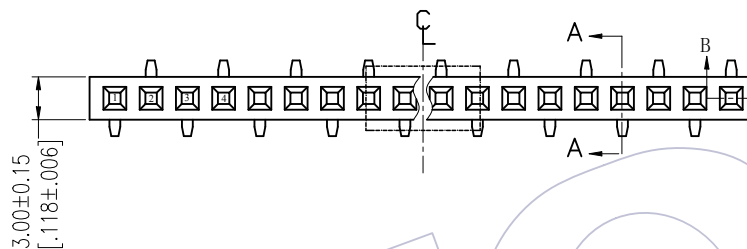
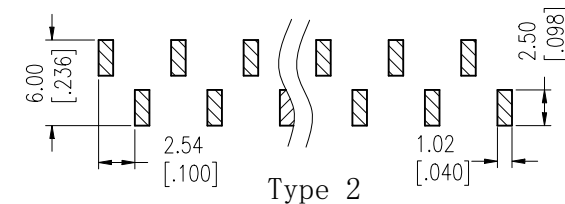
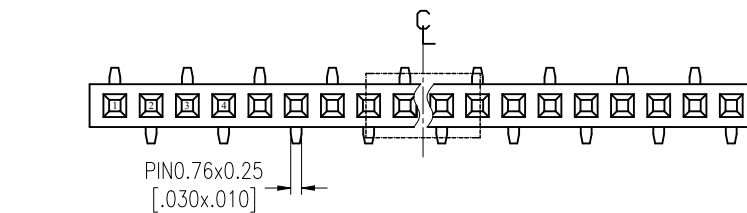


# HSF

NOTES:  
 Current Rating: 3.0AMP  
 Contact Resistance: 20mΩ Max  
 Withstand Voltage: 1000V AC  
 Insulation Resistance: 1000MΩ Min  
 Operation Temperature: -40°C to +105°C

Contact Material: Phosphor Bronze  
 Contact plating: Au Or Sn over Ni  
 Insulator Material: PA9T+33%G.F UL94V-0

Recommended P.C.B Layout (Top Side)  
 (PCB BOARD TOLERANCE ±0.05)



## Ordering Information

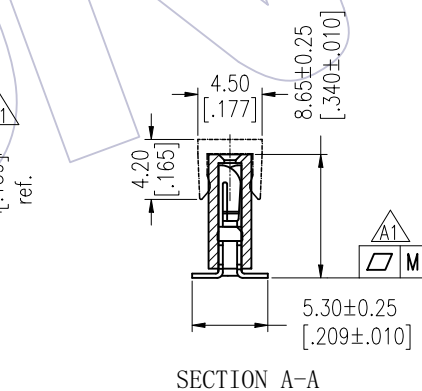
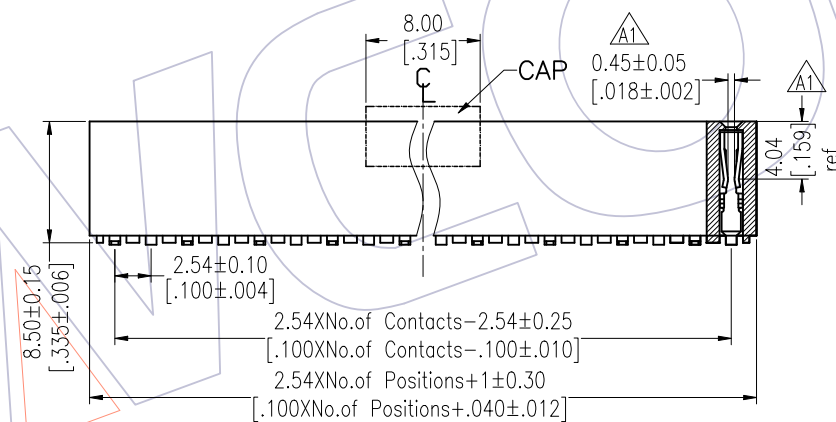
2185 - 1 XX M XX CUNT X

No. of Pins per ROW: 02-40PIN

Contact Plating:  
 G0=Gold Flash  
 G3=10μ"Gold  
 G4=15μ"Gold  
 G5=30μ"Gold  
 S0=Gold Flash/Tin  
 S3=10μ"Gold/Tin  
 S4=15μ"Gold/Tin  
 S5=30μ"Gold/Tin  
 SN=Tin  
 SM=Matte Tin

Packing:  
 T=Tube  
 P=Tube+CAP  
 R=Tube&Reel+CAP

Series No.  
 1=TYPE 1  
 2=TYPE 2



Item	Pitch	Mating
Standard	2.54	1115/1120/1125
Alternate		

SECTION B-B

SECTION A-A

Pin(Per Row)	2-15P	16-25P	26-40P
M	0.10	0.15	0.18

TITLE	PART NO.
TYPE 1	2185-1XXMXXCUNT1
TYPE 2	2185-1XXMXXCUNT2

REV	DATE	MODIFICATION DESCRIPTION	CHANGE	OPERATION		DRAW	DATE	SCALE	FIT	PART NO.
				X.X	±0.40					
A1	2023/02/13	Modify Flatness;Add dim.	-----	X.XX	±0.25	CHECK	DATE	SIZE	A4	SEE TABLE TITLE: 2.54mm Female Header SINGLE ROW 180°SMT H=8.50
A0	2012/08/15	NEW	-----	X.XXX	±0.15			SHEET	1/1	
				Angle	± 3'	APPROVE	DATE	PROJ.		Customer NO.
				DIM	TOL					

# WCON

Http: www.wcon.com

WCON-Dongguan  
 Tel: +86 769 85358920  
 Fax: +86 769 85358915  
 E-mail: sales@wcon.com

WCON-Kunshan  
 Tel: +86 512 57468408  
 Fax: +86 512 57468468  
 E-mail: salesks@wcon.com