

HSF

NOTES:

1. Rated Current: 4.8A Max;
2. Contact Resistance: 25mΩ Max;
3. Withstand Voltage: 500V ;
4. Insulation Resistance: 10000MΩ Min ;
5. Operation Temperature: -55℃ to +125℃ ;
6. Main Body Material: Glass filled polyester;
7. Back cover Material: Glass filled polyester;
8. Contact Material: Copper Alloy ;
9. Latch Material: Stainless steel;
10. Contact Plating: Au and Sn over Ni ;
11. Wire Size Range: AWG22/7, AWG24/7, AWG26/7;
12. Wire Insulation Range: 0.90-1.25mm;

Ordering Information

3917-XXX R XX T M X W B T 1

No. of Pins: _____

002=2P; 003=3P;
004=4P; 006=6P;
008=8P; 010=10P;
012=12P;

R/A Type _____

Contact Plated:
W0=Gold Flash/Tin
W1=3u" Gold/Tin
W2=5u" Gold/Tin
W3=10u" Gold/Tin
W4=15u" Gold/Tin
W5=30u" Gold/Tin

T=Shrapnel Type _____

M=Metal Latch _____

wcon Internal Code _____

Package: Tube _____

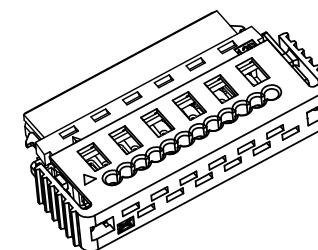
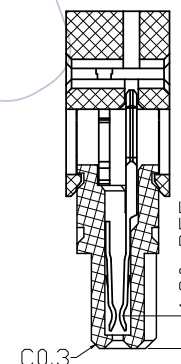
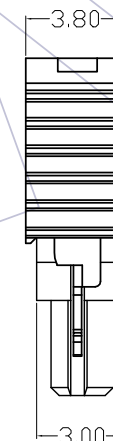
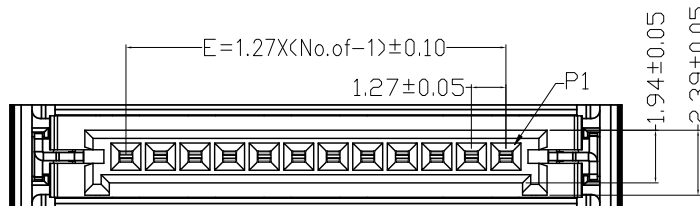
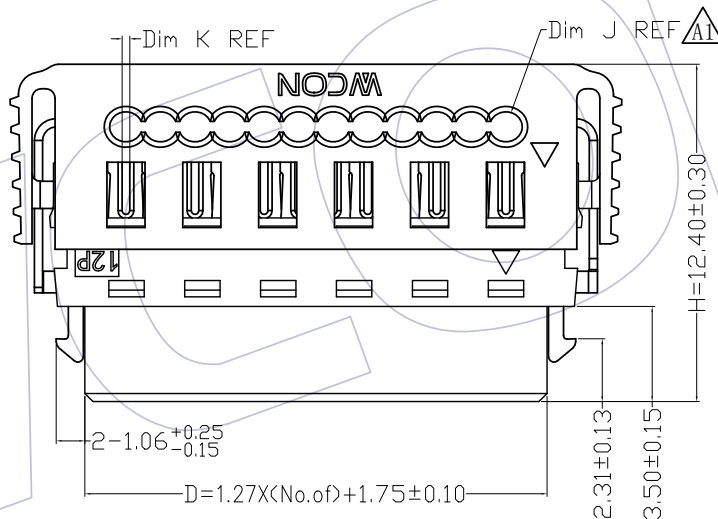
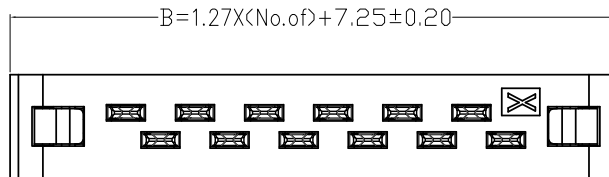
Color: Black _____

W/T Button _____

Wire Size Range:
1=22AWG, Nom. dia < 1.1mm
2=24AWG, Nom. dia < 1.1mm
3=26AWG, Nom. dia < 1.1mm
4=22AWG, Nom. dia 1.1-1.25mm
5=24AWG, Nom. dia 1.1-1.25mm
6=26AWG, Nom. dia 1.1-1.25mm

| PART NO | DIM K | DIM J |
|---------------------|-------|-------|
| 3917-XXXRXXTM1WB T1 | 0.48 | 1.15 |
| 3917-XXXRXXTM2WB T1 | 0.34 | 1.15 |
| 3917-XXXRXXTM3WB T1 | 0.28 | 1.27 |
| 3917-XXXRXXTM4WB T1 | 0.48 | 1.27 |
| 3917-XXXRXXTM5WB T1 | 0.34 | 1.27 |
| 3917-XXXRXXTM6WB T1 | 0.28 | 1.27 |

| PIN | B | D | E |
|-----|-------|-------|-------|
| 2 | 9.79 | 4.29 | 1.27 |
| 3 | 11.06 | 5.56 | 2.54 |
| 4 | 12.33 | 6.83 | 3.81 |
| 6 | 14.87 | 9.37 | 6.35 |
| 8 | 17.41 | 11.91 | 8.89 |
| 10 | 19.95 | 14.45 | 11.43 |
| 12 | 22.49 | 16.99 | 13.97 |



| REV | DATE | MODIFICATION DESCRIPTION | CHANGE | OPERATION | | DRAW | DATE | SCALE | FIT | PART NO. |
|-----|--------------|--------------------------|--------|-----------|-------|------------|--------------|-------|------|--|
| | | | | x.x | ±0.40 | | | | | |
| A1 | 2021. 06. 18 | Add Specifications | OHJ | x.xx | ±0.25 | Houfu Peng | 2021. 06. 18 | UNIT | mm | 3917-XXXRXXTMXWBT1 |
| A0 | 2019. 10. 07 | NEW | | x.xxx | ±0.15 | CHECK | DATE | SIZE | inch | |
| | | | | Angle | ± 3' | APPROVE | DATE | SHEET | 1/2 | TITLE: 1.27mm MSC conn. Female IDC Type 90° |
| | | | | DIM | TOL | | | PROJ. | | Customer NO. |

WCON

Http: www.wcon.com

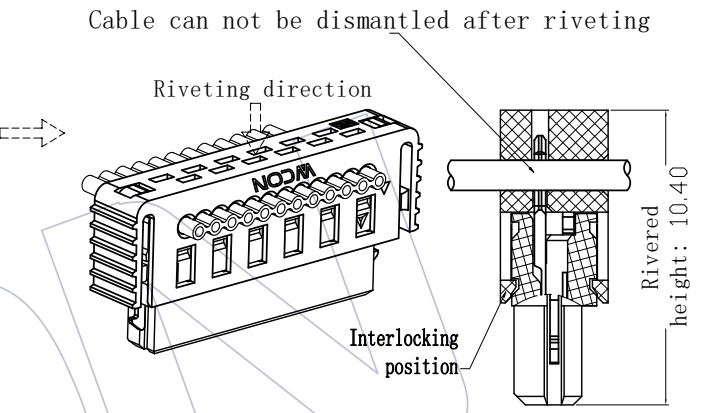
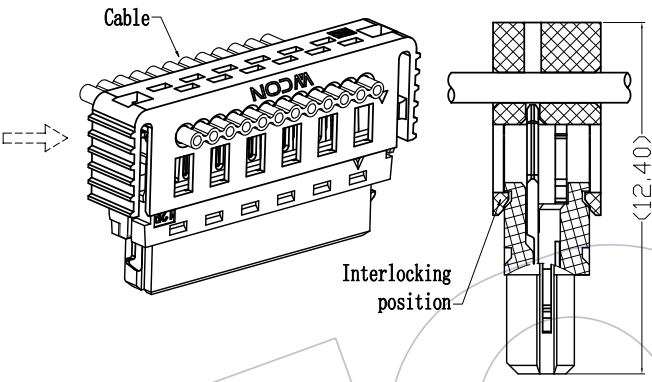
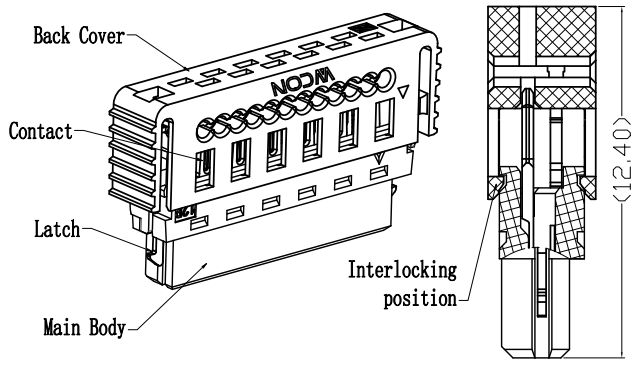
WCON-Dongguan Tel: +86 769 85358920
WCON-Kunshan Tel: +86 512 57468408
Fax: +86 769 85358915
Fax: +86 512 57468468
E-mail: sales@wcon.com
E-mail: salesks@wcon.com

HSF

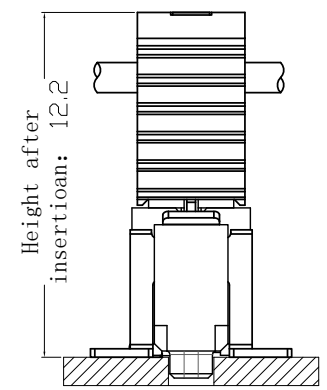
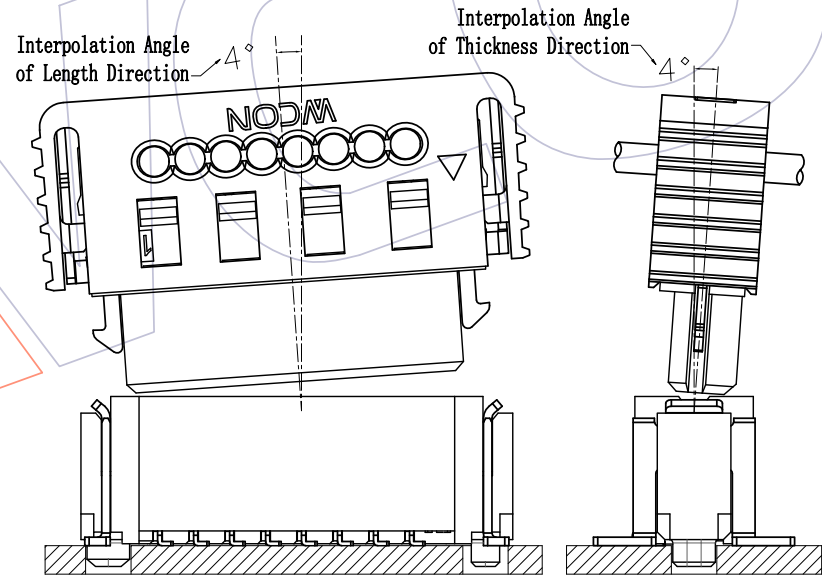
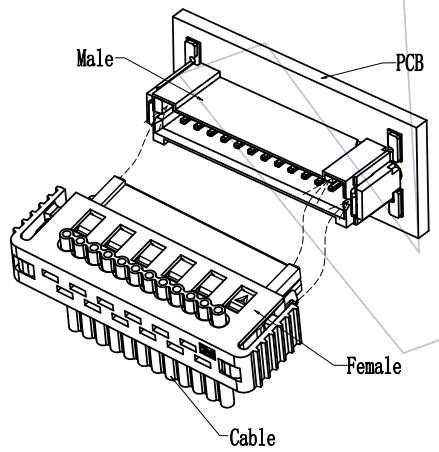
Product sketch

Wire assembly sketch

Riveting pressure sketch



Sketch of male and female pairs



| REV | DATE | MODIFICATION DESCRIPTION | CHANGE | OPERATION | | DRAW | DATE | SCALE | FIT | PART NO. |
|-----|------------|--------------------------|--------|-----------|------------|------------|------------|-------|--------------|---|
| | | | | DIM | TOL | | | | | |
| A1 | 2021.06.18 | Add Specifications | OHJ | x.x | ±0.40 | Houfu Peng | 2021.06.18 | UNIT | mm | 3917-XXXXXTMXWB1 |
| A0 | 2019.10.07 | NEW | | x.xx | ±0.25 | CHECK | DATE | inch | A4 | |
| | | | | | ±0.15 | APPROVE | DATE | SHEET | 2/2 | TITLE: 1.27mm MSC conn. Female IDC Type 90° |
| | | | | | Angle ± 3' | | | PROJ. | Customer NO. | |

WCON

Http: www.wcon.com

| | |
|---|--|
| WCON-Dongguan Tel: +86 769 85358920 Fax: +86 769 85358915 E-mail: sales@wcon.com | WCON-Kunshan Tel: +86 512 57468408 Fax: +86 512 57468468 E-mail: salesks@wcon.com |
|---|--|