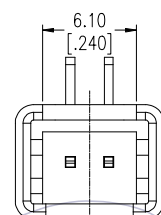
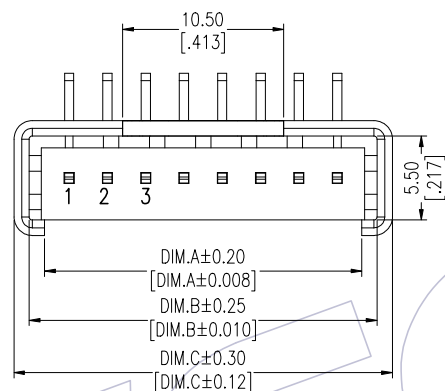
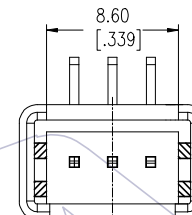


NOTES:  
 Current Rating: 5.0AMP  
 Contact Resistance: 10mΩ Max  
 Withstand Voltage: 1500V AC/DC  
 Insulation Resistance: 1000MΩ Min  
 Operation Temperature: -40℃ to +105℃  
 Contact Material: Brass  
 Contact plating: Matte Sn over Ni  
 Insulator Material: PBT+30%G.F UL94V-0

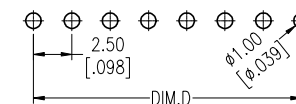
Recommended P.C.B Layout (Top Side)  
 (PCB BOARD TOLERANCE ±0.05)



2P示意图



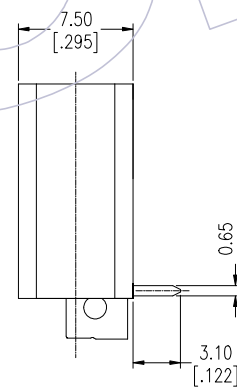
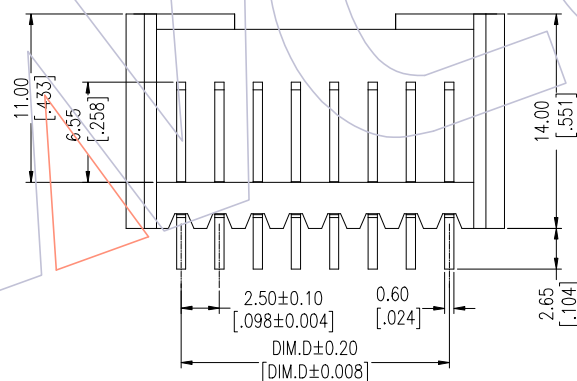
3P示意图



### Ordering Information

WF2512-WR XX G A 1

No. of pins  
02-20P  
Color  
G-Grey  
Packing  
A=Tray



PIN	DIM.A	DIM.B	DIM.C	DIM.D
2P	5.70	7.70	9.70	2.50
3P	8.20	10.20	12.20	5.00
4P	10.70	12.70	14.70	7.50
5P	13.20	15.20	17.20	10.00
6P	15.70	17.70	19.70	12.50
7P	18.20	20.20	22.20	15.00
8P	20.70	22.70	24.70	17.50
9P	23.20	25.20	27.20	20.00
10P	25.70	27.70	29.70	22.50
11P	28.20	30.20	32.20	25.00
12P	30.70	32.70	34.70	27.50
13P	33.20	35.20	37.20	30.00
14P	35.70	37.70	39.70	32.50
15P	38.20	40.20	42.20	35.00
16P	40.70	42.70	44.70	37.50
17P	43.20	45.20	47.20	40.00
18P	45.70	47.70	49.70	42.50
19P	48.20	50.20	52.20	45.00
20P	50.70	52.70	54.70	47.50

A3	2020/07/27	Modify 2P picture	△3	DuYing	OPERATION	DRAW	DATE	SCALE	FIT	PART NO. WF2512-WRXXGA1 △1
A2	2019/07/02	增加2-3P示意图	△2	Ding	x.x ±0.40	DuYing	2020/07/27	UNIT	mm	
A1	2017/03/24	Modify PART NO.	△1	-----	x.xx ±0.25	CHECK	DATE	SIZE	A4	TITLE: 2.50mm Pitch Wafer 90° Without Latch正向
A0	2014/11/10	NEW	-----	-----	x.xxx ±0.15	APPROVE	DATE	SHEET	1/1	
REV	DATE	MODIFICATION DESCRIPTION	CHANGE		Angle ± 3°			PROJ.	Customer NO.	
					DIM TOL					

**WCON**  
 Http: www.wcon.com  
 WCON-Dongguan  
 Tel: +86 769 85358920  
 Fax: +86 769 85358915  
 E-mail: sales@wcon.com  
 WCON-Kunshan  
 Tel: +86 512 57468408  
 Fax: +86 512 57468468  
 E-mail: salesks@wcon.com