

# HSF

## TECHNICAL SPECS:

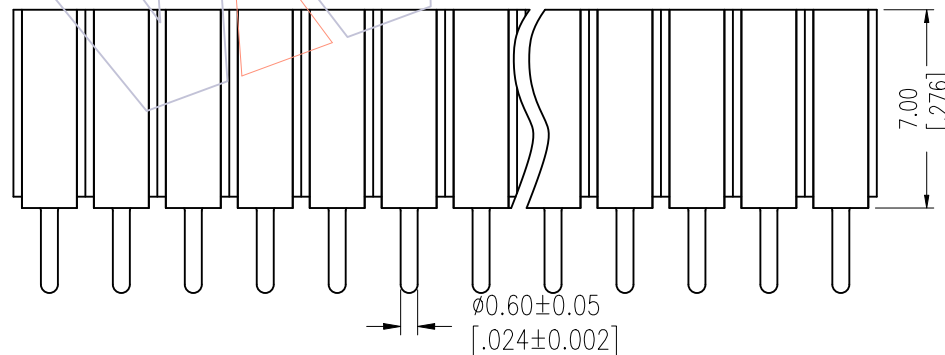
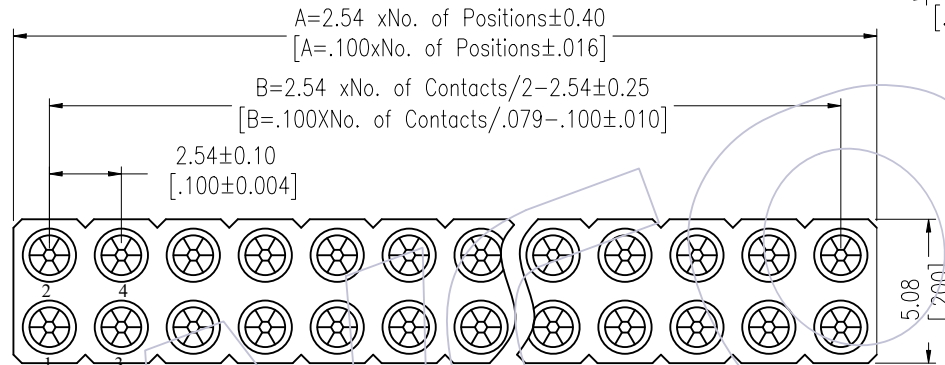
Current Rating: 3.0AMP  
 Contact Resistance: 10mΩ Max  
 Dielectric Strength: Min 1000Vrms  
 Mechanical Life: Min 500 cycles  
 Mating Pin:  $\varnothing 0.7$  to  $\varnothing 0.9$ mm or 0.635SQ  
 Forces: (polished steel gauge  $\varnothing 0.76$ mm)  
 Insertion: 150g Max/Pin, Withdrawal: 30g Min/Pin  
 Operation Temperature:  $-40^{\circ}\text{C}$  to  $+105^{\circ}\text{C}$

Sleeve: Brass CuZn36Pb3(C36000)  
 Contact Clip(6 finger): BeCu(C17200)  
 Insulator Material: PPS+30%G.F(UL94V-0)

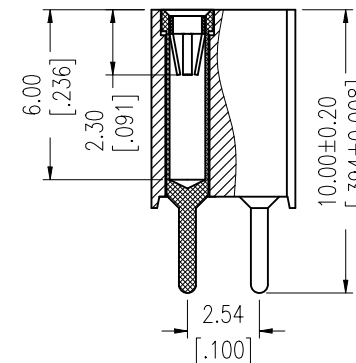
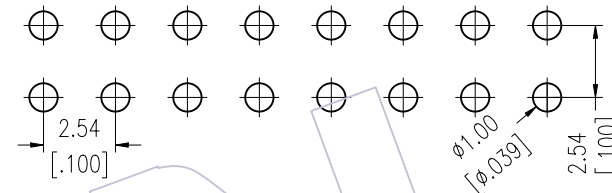
## Ordering Information

3521-702 XX S XX 100 X 1

No. of Pin 2-40PIN 	Contact Plating S0=Gold Flash/Tin S3=10u"Gold/Tin S4=15u"Gold/Tin S5=30u"Gold/Tin SN=Tin	Packing A=Tray T=Tube
---------------------------	---	-----------------------------



Recommended P.C.B Layout(Top Side)  
 (PCB BOARD TOLERANCE  $\pm 0.05$ )



Item	Pitch	Mating
Standard	2.54	3511
Alternate		



REV	DATE	MODIFICATION DESCRIPTION	CHANGE	OPERATION	DRAW	DATE	SCALE	FIT	PART NO.
A2	2018/03/07	Modify		X.X	±0.40	2018/03/07	UNIT	mm	3521-702XXSXX100X1
A1	2017/04/27	Modify		X.XX	±0.25	DATE	SIZE	A4	TITLE:
A0	2012/10/18	NEW	-----	X.XXX	±0.15	DATE	SHEET	1/1	2.54mm MACHINED FEMALE HEADER DUAL ROW 180° H=7.00 L=10.0
				Angle	± 3°	DATE	PROJ.		Customer NO.
				DIM	TOL				

# WCON

Http: www.wcon.com

WCON-Dongguan	WCON-Kunshan
Tel: +86 769 85358920	Tel: +86 512 57468408
Fax: +86 769 85358915	Fax: +86 512 57468468
E-mail: sales@wcon.com	E-mail: salesks@wcon.com