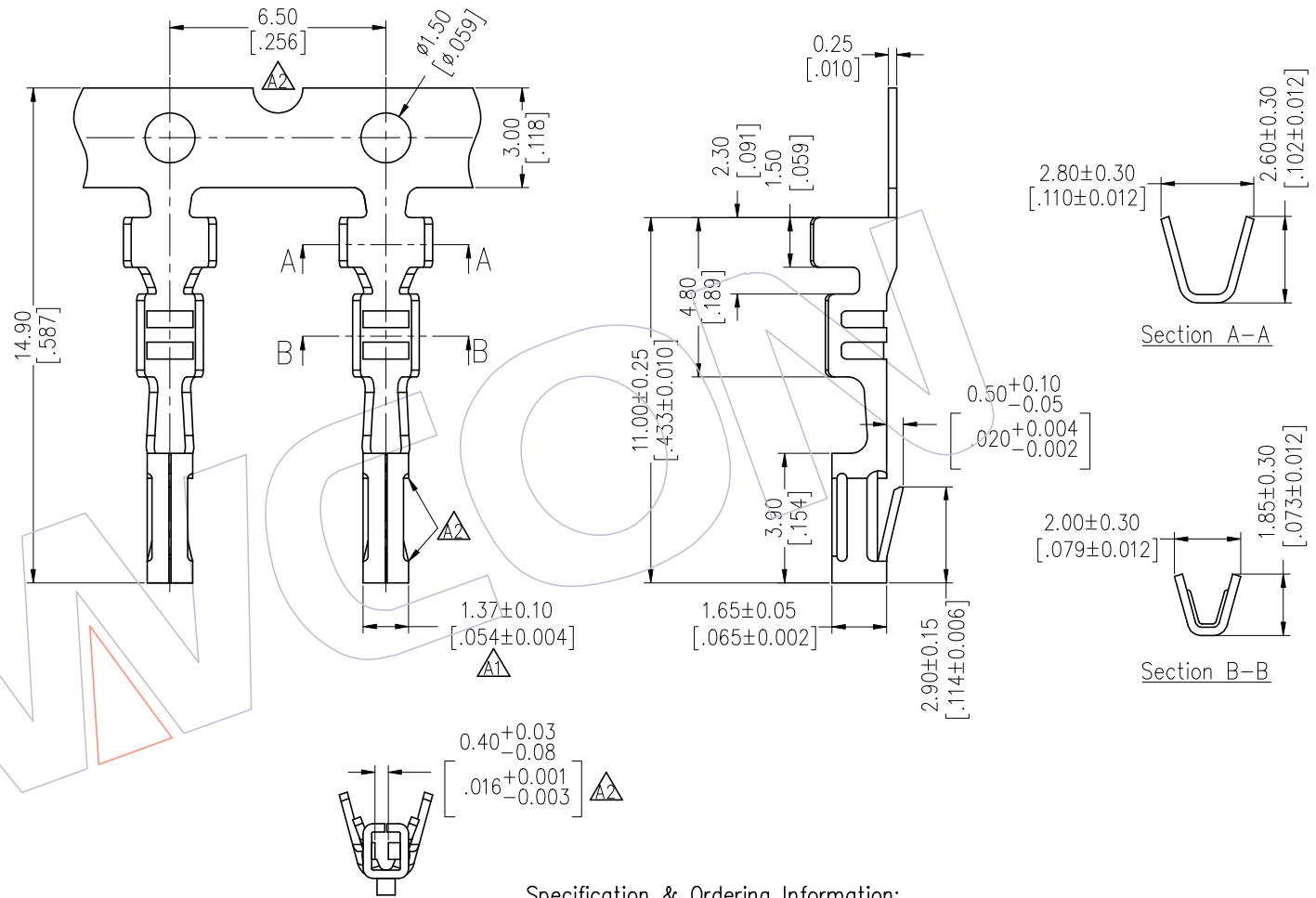


NOTES:
 Rated Current: 3.0AMP
 Contact Resistance: 20mΩ max
 Withstand Voltage: 1000V AC/DC
 Insulation Resistance: 1000MΩ min
 Operation Temperature: -25℃ to +85℃

Contact Material: Phosphor bronze
 Contact Plating: Au or Sn Over Ni



Ordering Information

WF2549 - T P XX 0 2

Contact Plating
 G0=Gold Flash
 G3=10u"Gold
 G4=15u"Gold
 G5=30u"Gold
 S0=Gold Flash/Tin
 S3=10u"Gold/Tin
 S4=15u"Gold/Tin
 S5=30u"Gold/Tin
 SN=Tin

Specification & Ordering Information:

Part No.	Thickness	Finish	Material	Wire Range	Insulation O.D
WF2549-TPS002	0.25	Gold/Tin	Phosphor bronze	AWG#20~#24	1.55mm(Max)
WF2549-TPSN02	0.25	Tin-Plated	Phosphor bronze	AWG#20~#24	1.55mm(Max)

REV	DATE	MODIFICATION DESCRIPTION	CHANGE	OPERATION	DRAW	DATE	SCALE	FIT	PART NO.
A2	2019/04/01	Modify the drawing	—	X.X ±0.40	Ding	2019/04/01	UNIT	mm	WF2549-TPXX02
A1	2015/01/29	1.37±0.05 → 1.37±0.10	—	X.XX ±0.25	CHECK	DATE	inch	A4	
A0	2012/09/08	NEW	—	X.XXX ±0.15	APPROVE	DATE	SHEET	1/1	TITLE: 2.54mm TERMINAL
				Angle ± 3°					
				DIM TOL			PROJ.		Customer NO.

WCON

Http: www.wcon.com

WCON-Dongguan
 Tel: +86 769 85358920
 Fax: +86 769 85358915
 E-mail: sales@wcon.com

WCON-Kunshan
 Tel: +86 512 57468408
 Fax: +86 512 57468468
 E-mail: salesks@wcon.com