

HSF

NOTES:

- 1.Current Rating: 3.0A ;
- 2.Voltage Rating: 250V AC ;
- 3.Contact Resistance: 15mΩ Max;
- 4.Withstand Voltage: 500V AC;
- 5.Insulation Resistance: 1000MΩ Min;
- 6.Operating Temperature: -55°C to +105°C;
- 7.Insulator Material: PBT,G.F,UL94V-0,BK;

Ordering Information

6341-2 H XX B 0 1

Housing

WCON
internal code

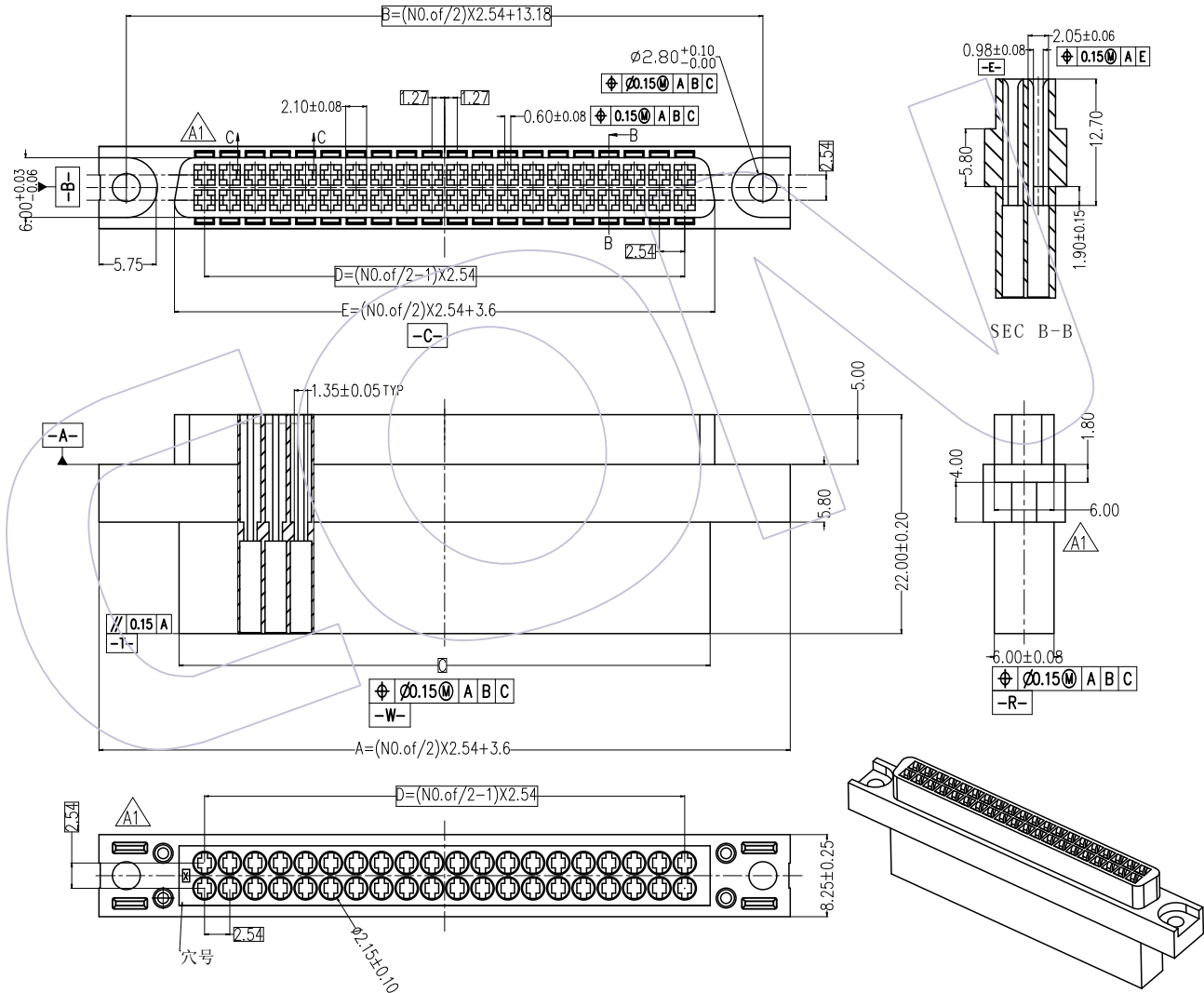
No. of Pins:

- 04=4PIN
- 08=8PIN
- 12=12PIN
- 16=16PIN
- 20=20PIN
- 24=24PIN
- 28=28PIN
- 32=32PIN

Packing
0=PE BAG

Material Color
B=Black

| Pin | A | B | C | D | E |
|------|------------|------------|------------|------|---|
| 2*4 | 28.84±0.08 | 23.34±0.08 | 12.74±0.08 | 7.62 | 13.76 ^{+0.05} _{-0.15} |
| 2*8 | 39.00±0.10 | 33.50±0.08 | 22.90±0.10 | 7.78 | 23.92 ^{+0.05} _{-0.15} |
| 2*12 | 49.16±0.10 | 43.66±0.08 | 33.06±0.10 | 7.94 | 27.64 ^{+0.05} _{-0.15} |
| 2*16 | 59.32±0.10 | 53.82±0.10 | 43.22±0.10 | 8.10 | 34.08 ^{+0.05} _{-0.15} |
| 2*20 | 69.48±0.15 | 63.98±0.10 | 53.38±0.15 | 8.26 | 54.40 ^{+0.05} _{-0.20} |
| 2*24 | 79.64±0.15 | 74.14±0.10 | 63.54±0.15 | 8.42 | 64.56 ^{+0.05} _{-0.20} |
| 2*28 | 89.80±0.15 | 84.30±0.12 | 73.70±0.15 | 8.58 | 74.72 ^{+0.05} _{-0.20} |
| 2*32 | 99.96±0.15 | 94.46±0.12 | 83.86±0.15 | 8.74 | 84.88 ^{+0.05} _{-0.20} |



| REV | DATE | MODIFICATION DESCRIPTION | CHANGE | OPERATION | DRAW | DATE | SCALE | Fit | PART NO. |
|-----|------------|--------------------------|--------|------------|---------|------------|-------|-----------|------------------------------------|
| A1 | 2023/08/30 | Correct VIEW | XSR | x. ±0.40 | XSR | 2023/08/30 | UNIT | mm [inch] | 6341-2HXXB01 |
| A0 | 2023/03/15 | NEW | Morris | x.X ±0.25 | CHECK | DATE | SIZE | A4 | TITLE: |
| | | | | x.XX ±0.15 | | | SHEET | 1/1 | 2.54*2.54mm DFCN,Housing, Dual Row |
| | | | | Angle ± 3° | APPROVE | DATE | PROJ. | | Customer NO. |
| | | | | DIM TOL | | | | | |

WCON

Http: www.wcon.com

| | |
|--|--|
| WCON-Dongguan | WCON-Kunshan |
| Tel: +86 769 85358920 | Tel: +86 512 57468408 |
| Fax: +86 769 85358915 | Fax: +86 512 57468468 |
| E-mail: sales@wcon.com | E-mail: salesks@wcon.com |