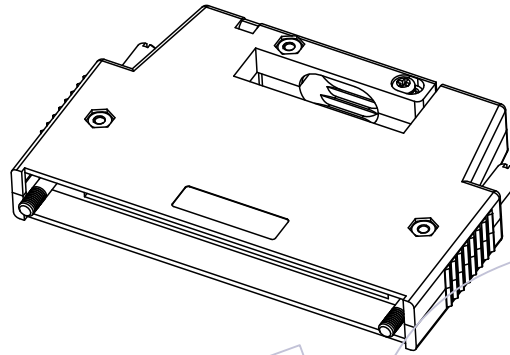
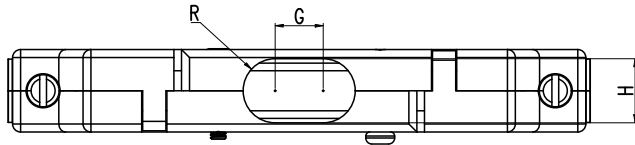


HSF

R=2.84mm(8 and 16 PIN)
R=4.0mm(24 and 64 PIN)



Ordering Information

6342 - XX F H 00 B B W 01

Pin
08=8Pin
16=16Pin
24=24Pin
32=32Pin
40=40Pin

Wcon Internal Code

W/ SCREW&NUT

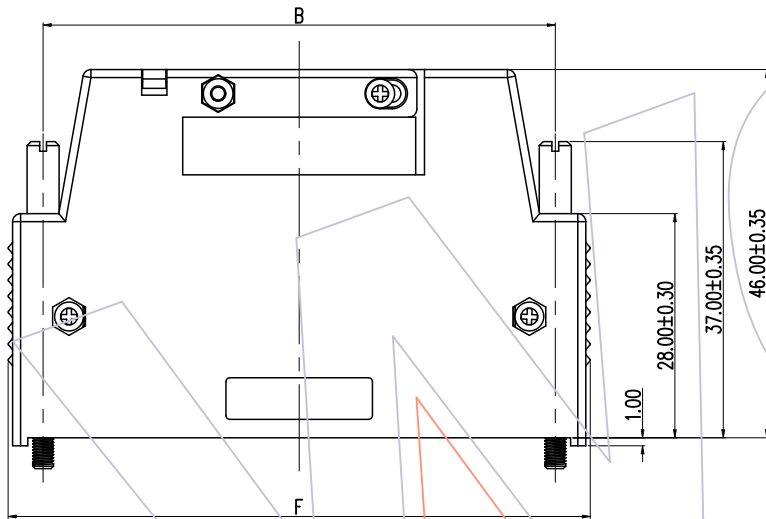
BLACK

FEMALE

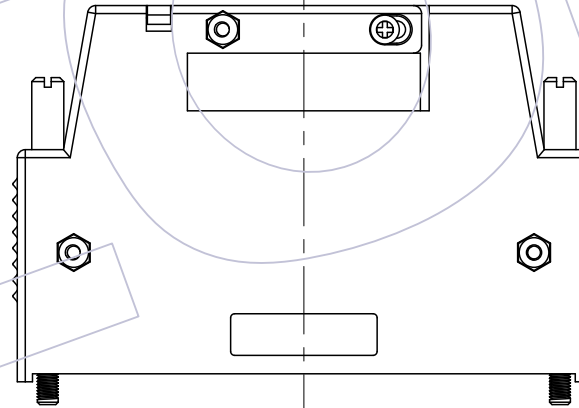
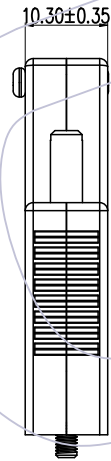
BONDING WIRE

WO/CONN

STANDARD



10.30±0.35



BOM

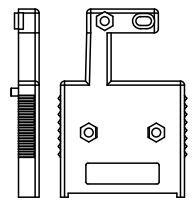
ITEM	descriptionn	Part Number	quantity	materials
(5)	LOCK-SCREWS	L6341-SM001	2	SUSI,M2.0*9.30mm,
(4)	LOCK-CABLE SCREW ASSEMBLY	L6341-SM006	2	SUSI,M2.0*9.30mm,Plating Ni
(3)	SCREW	L3210P-SNI01	2	SUSI,M2.0*9.30mm,Plating Ni
(2)	NUT	N3210P-SNI01	4	Steel,M2.0*1.6T,Plating Ni
(1)	PLASTIC SHELL	G3210P-XXSBCB01	2	ABS+PC UL94-V0

REV	DATE	MODIFICATION DESCRIPTION	CHANGE	OPERATION	DRAW	DATE	SCALE	FIT	PART NO.
AO	2021/08/30	NEW	Morris	X.X ±0.40	Morris	2021/08/30	UNIT mm		6342 - XX F H 00 B B W 01
				X.XX ±0.25	CHECK	DATE	SIZE A4		TITLE:
				X.XXX ±0.15	APPROVE	DATE	SHEET 1/3		2.54*2.54mm DFCN 双排 180度出线 塑胶壳组件,6件套
				Angle ± 3°			PROJ.		Customer NO.
				DIM TOL					

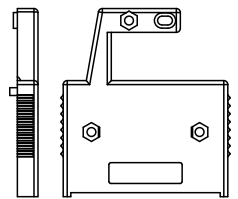
WCON
Http: www.wcon.com

WCON-Dongguan Tel: +86 769 85358920
WCON-Kunshan Tel: +86 512 57468408
Fax: +86 769 85358915 Fax: +86 512 57468468
E-mail: sales@wcon.com E-mail: salesks@wcon.com

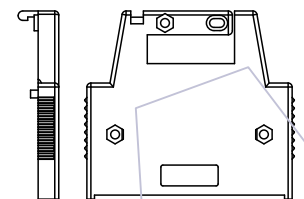
HSF



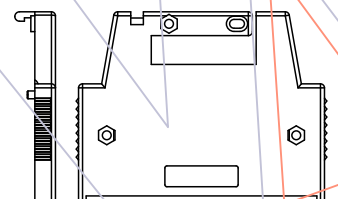
8P PLASTIC SHELL



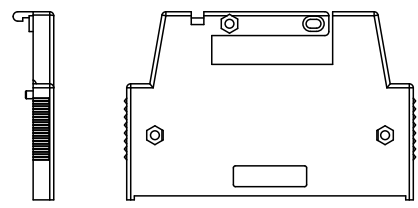
16P PLASTIC SHELL



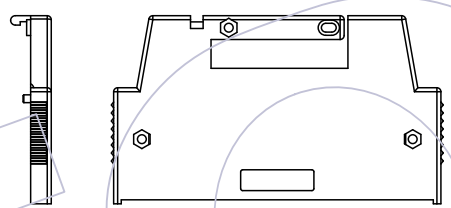
24P PLASTIC SHELL



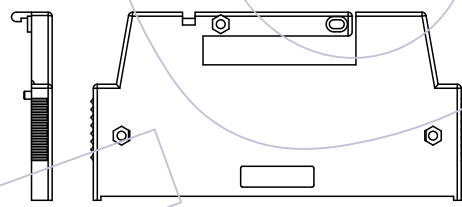
32P PLASTIC SHELL



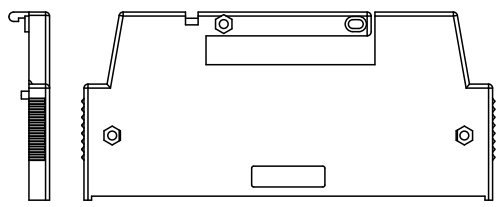
40P PLASTIC SHELL



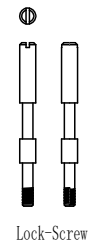
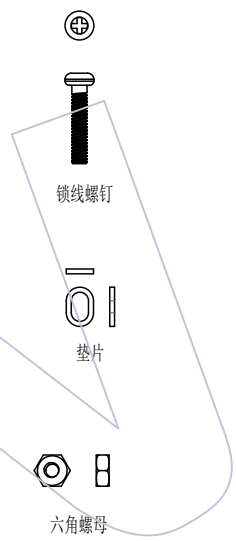
48P PLASTIC SHELL



56P PLASTIC SHELL



64P PLASTIC SHELL

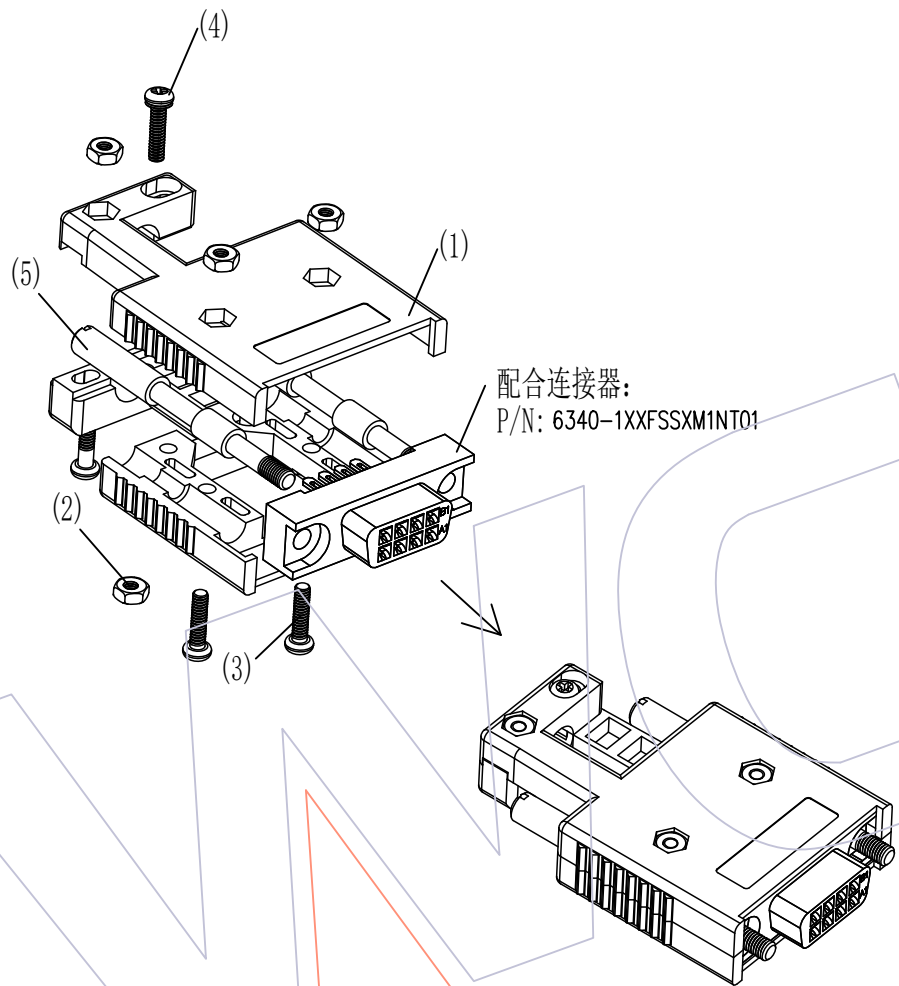


				OPERATION	DRAW	DATE	SCALE	FIT	PART NO.
				X.X ±0.40	Morris	2021/08/30	UNIT	mm	6342 - XX FH 00 BB W 01
				X.XX ±0.25	CHECK	DATE	SIZE	A4	TITLE:
				X.XXX ±0.15	APPROVE	DATE	SHEET	2/3	2.54*2.54mm DFCN 双排 180度出线 塑胶壳组件, 6件套
AO	2021/08/30	NEW	Morris	Angle ± 3°			PROJ.	⌀ ↗	Customer NO.
REV	DATE	MODIFICATION DESCRIPTION	CHANGE	DIM TOL					

WCON
Http: www.wcon.com

WCON-Dongguan Tel: +86 769 85358920
WCON-Kunshan Tel: +86 512 57468408
Fax: +86 769 85358915 Fax: +86 512 57468468
E-mail: sales@wcon.com E-mail: sales@wcon.com

HSF



装配及应用:

1. 如图, 将连接器组件如图示装入两壳中间, 装入螺钉与六角螺母固定;

2. Applicable Wires and Contact Sizes

Size #1	AWG 24(For UL1061)	Insulation outside diameter: 1.1 to 1.3mm
Size #1	AWG 28 or AWG26(For UL1007)	

8P	23.34 ±0.30	32.08 ±0.30	——	05.70 ±0.30
16P	33.50 ±0.30	42.24 ±0.30	——	05.70 ±0.30
24P	43.66 ±0.30	52.40 ±0.30	——	08.00 ±0.30
32P	53.82 ±0.30	62.56 ±0.30	2.00 ±0.30	8.00 ±0.30
40P	63.98 ±0.30	72.72 ±0.30	6.00 ±0.30	8.00 ±0.30
48P	74.14 ±0.30	82.88 ±0.30	10.00 ±0.30	8.00 ±0.30
56P	84.30 ±0.35	93.04 ±0.35	14.00 ±0.35	8.00 ±0.35
64P	94.46 ±0.35	103.20 ±0.40	18.00 ±0.35	8.00 ±0.35
位数	B	F	G	H

AO	2021/08/30	NEW	Morris	OPERATION	DRAW	DATE	SCALE	FIT	PART NO.	 Http: www.wcon.com
REV	DATE	MODIFICATION DESCRIPTION	CHANGE	X.X ±0.40	Morris	2021/08/30	UNIT	mm	6342 - XX FH 00 BBW01	
				X.XX ±0.25	CHECK	DATE	SIZE	A4	TITLE:	
				X.XXX ±0.15	APPROVE	DATE	SHEET	3/3	2.54*2.54mm DFCN 双排 180度出线 塑胶壳组件, 6件套	
				Angle ± 3°			PROJ.	⌀	Customer NO.	WCON-Dongguan Tel: +86 769 85358920 Fax: +86 769 85358915 E-mail: sales@wcon.com
				DIM TOL						WCON-Kunshan Tel: +86 512 57468408 Fax: +86 512 57468468 E-mail: sales@wcon.com