

HSF

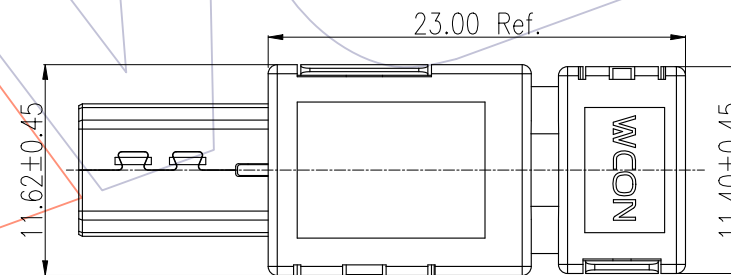
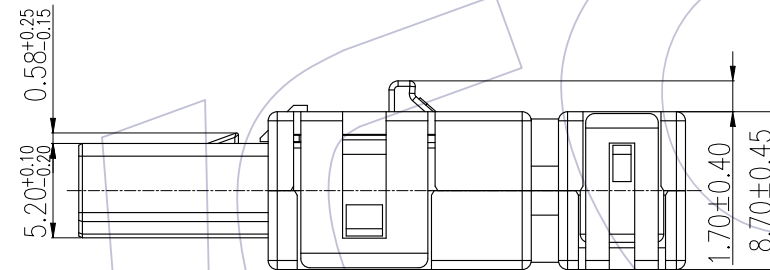
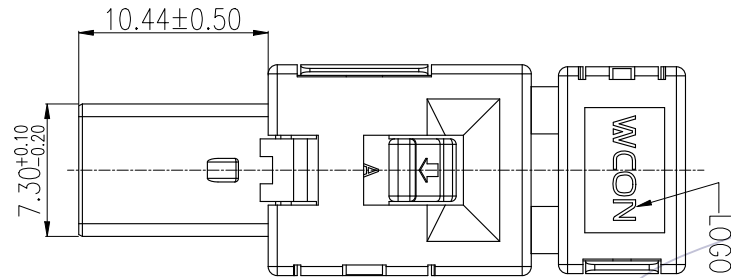
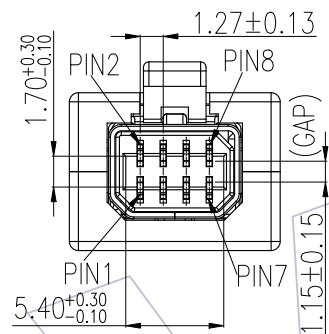
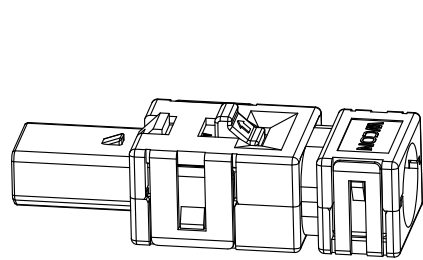
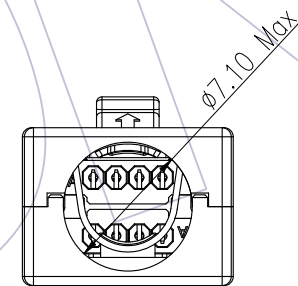
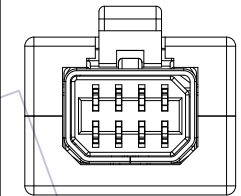
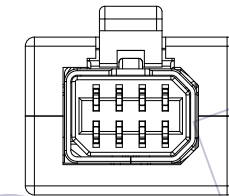


Table.1:

6362-08MDISXMCBAX

6362-08MUISXMCBAX



Item	Part Name	Part No.	Qty	Remark
①	Metal Bottom Cover	M6362-08MXMIXX01	1	SPCC,T=0.35,Plated Ni
②	Metal Top Cover	M6362-08MMIXX01	1	SPCC,T=0.35,Plated Ni
③	Plastic Top Cover	G6362-08MUICBNX	1	ABS+PC,UL94V-0,Black
④	Plastic Bottom Cover	G6362-08MBICBNX	1	ABS+PC,UL94V-0,Black
⑤	Connector Assemble	B6362-08MISXAB1	1	C5191-H,T=0.30,Plated Au PBT,UL94V-0,Black
⑥	Cable Clamp	G6362-08MDIPXNX	2	PC,UL94V-0,See table2
⑦	Push Rod	G6362-08MHIABN1	1	PBT,UL94V-0,Black

REV	DATE	MODIFICATION DESCRIPTION	CHANGE	OPERATION	DRAW	DATE	SCALE	Fit	PART NO.
A0	2022/05/10	NEW RELEASE	Jason	x.x ±0.40	Jason	2022/05/10	UNIT	mm	6362-08MXISXMCBAX
				x.xx ±0.25	CHECK	DATE	SIZE	A4	TITLE:
				x.xxx ±0.15	Andrey		SHEET	1/3	1.27mm Micro I/O 8P Cable Assembly Connector IDC TYPE.
				Angle ± 3°	APPROVE	DATE	PROJ.	Customer NO.	
				DIM TOL					

WCON

Http: www.wcon.com

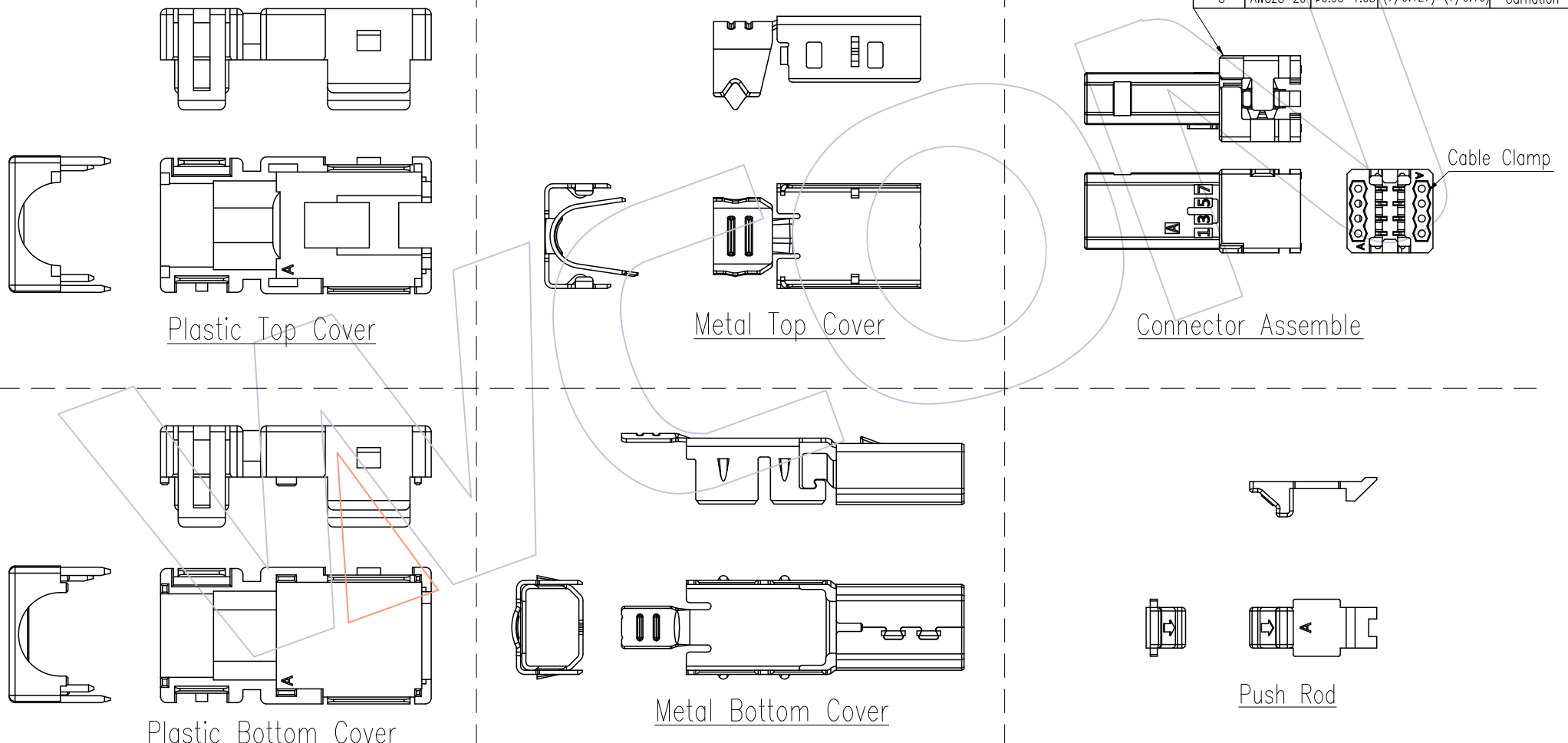
WCON-Dongguan
Tel: +86 769 85358920
Fax: +86 769 85358915
E-mail: sales@wcon.com

WCON-Kunshan
Tel: +86 512 57468408
Fax: +86 512 57468468
E-mail: salesks@wcon.com

HSF

Table.2:

Internal Code	Spec	Cable DIA. (OD)	Conductor	Housing Color
			Strands/OD	
-1	AWG24~22	ø1.10~1.20	(11/0.16)~(17/0.16)	Pale green
-2	AWG26~24	ø1.05~1.15	(7/0.16)~(11/0.16)	Light blue
-3	AWG28~26	ø0.93~1.05	(7/0.127)~(7/0.16)	Carnation



REV	DATE	MODIFICATION DESCRIPTION	CHANGE	OPERATION	DRAW	DATE	SCALE	Fit	PART NO.
A0	2022/05/10	NEW RELEASE	Jason	x.X ±0.40	Jason	2022/05/10	UNIT	mm	6362-08MXISXMCBAX
				x.XX ±0.25	CHECK	DATE	SIZE	A4	TITLE:
				x.XXX ±0.15	Andrey		SHEET	2/3	1.27mm Micro I/O 8P Cable Assembly Connector IDC TYPE.
				Angle ± 3'	APPROVE	DATE	PROJ.	⌀	Customer NO.
				DIM TOL					

WCON

Http: www.wcon.com

WCON-Dongguan	WCON-Kunshan
Tel: +86 769 85358920	Tel: +86 512 57468408
Fax: +86 769 85358915	Fax: +86 512 57468468
E-mail: sales@wcon.com	E-mail: salesks@wcon.com

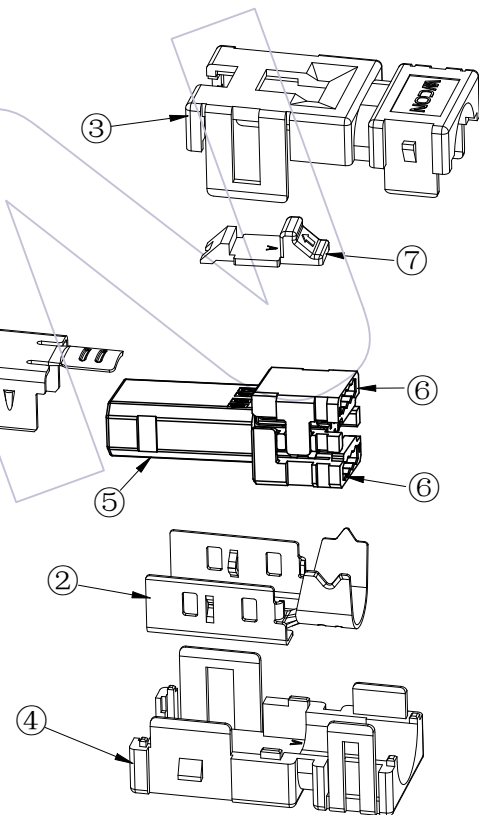
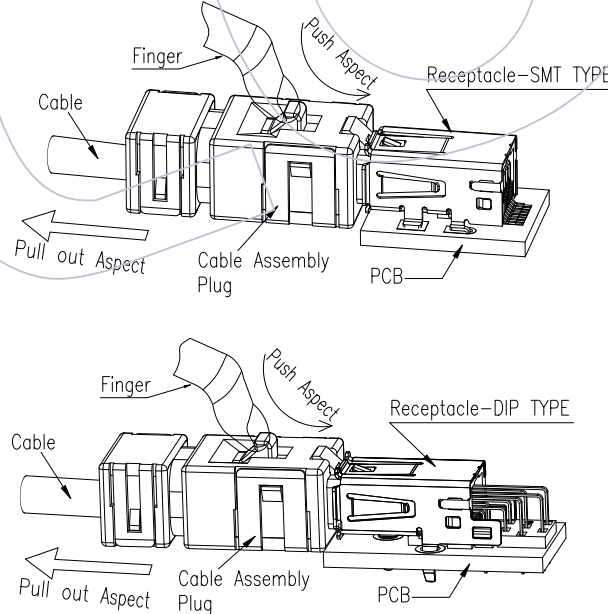
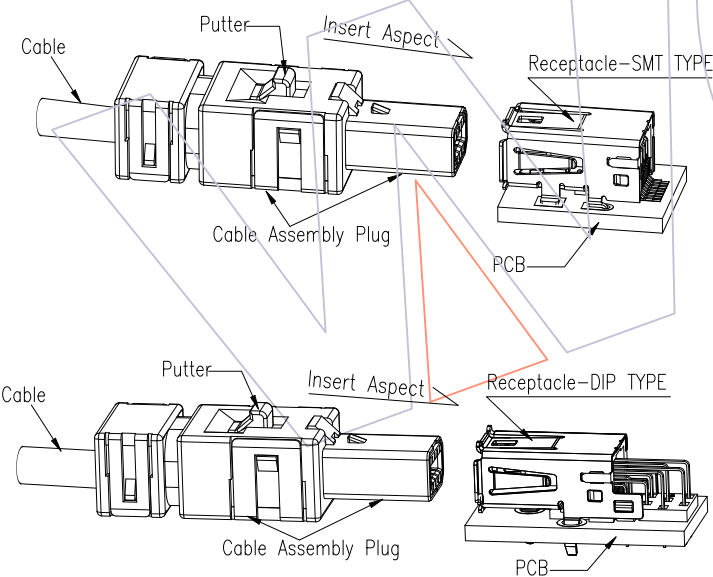
HSF

Ordering Information

6362-08 M X I SX M C B A X

Series Code: _____
 No. of Pins: _____
 08=8Pin
 Genre: _____
 M=Male
 Mating Shape: _____
 See "Table1"
 Type Code: _____
 I=IDC TYPE
 Contact Plating:
 S4 Sel.15u"Gold/Tin
 S5 Sel.30u"Gold/Tin

Internal Code:
 See "Table2"
 Packing:
 A=plastic Box
 Color:
 B=Black
 Plastic Cover Material:
 C=ABS+PC
 Metal Cover Material:
 M=SPCC



REV	DATE	MODIFICATION DESCRIPTION	CHANGE	OPERATION	DRAW	DATE	SCALE	Fit	PART NO.
A0	2022/05/10	NEW RELEASE	Jason	x.X ±0.40	Jason	2022/05/10	UNIT	mm	6362-08MXISXMCBAX
				x.XX ±0.25	CHECK	DATE	SIZE	A4	TITLE:
				x.XXX ±0.15	Andrey		SHEET	3/3	1.27mm Micro I/O 8P Cable Assembly Connector IDC TYPE.
				Angle ± 3°	APPROVE	DATE	PROJ.		Customer NO.
				DIM TOL					

WCON

Http: www.wcon.com

WCON-Dongguan Tel: +86 769 85358920
 WCON-Kunshan Tel: +86 512 57468408
 Fax: +86 769 85358915
 Fax: +86 512 57468468
 E-mail: sales@wcon.com
 E-mail: salesks@wcon.com