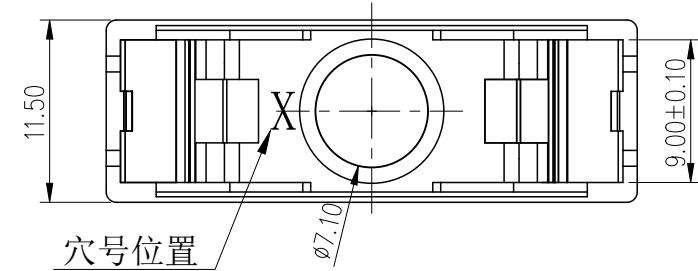
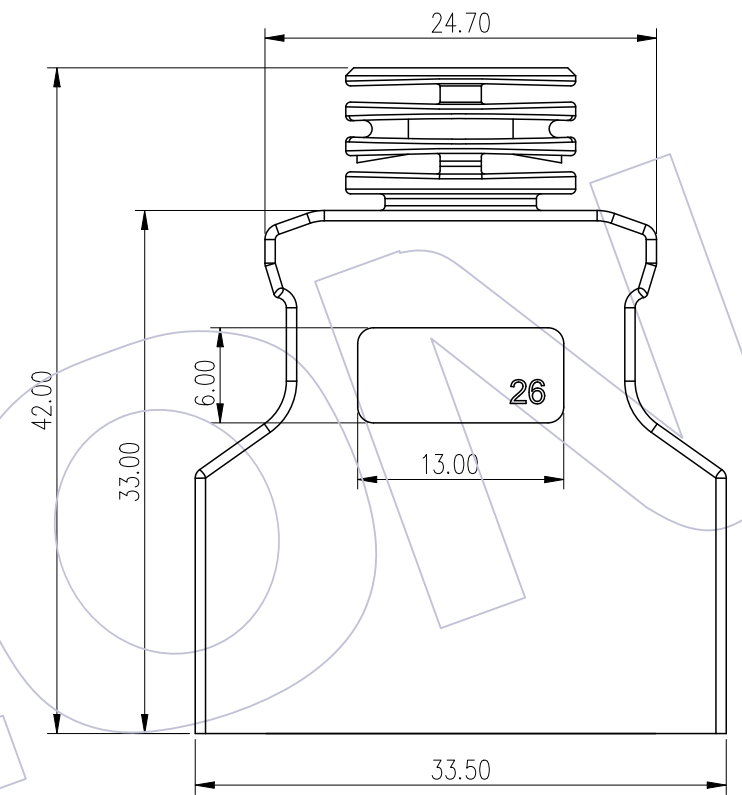
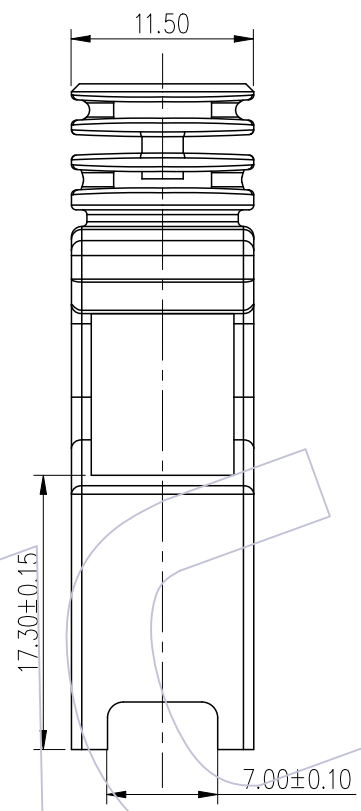


HSF

Ordering Information

6326M - 026 S 00 P 0 0X

NO.of pins 26P
 Contact Plating 00=NO contact
 Shell material P=Plastic
 Packing 0=BAG
 Housing&Handle Color
 01=Gray
 02=Black
 03=Natural



塑胶外壳
(Plastic Housing)

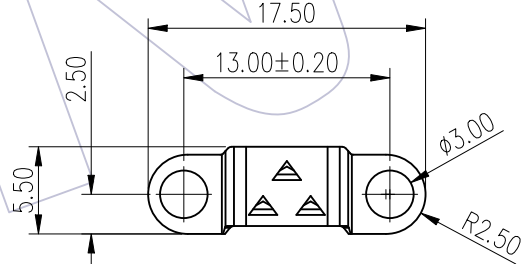
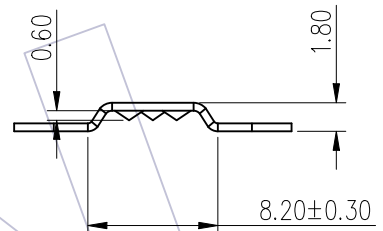
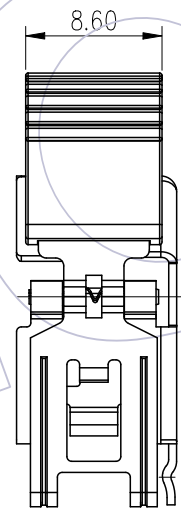
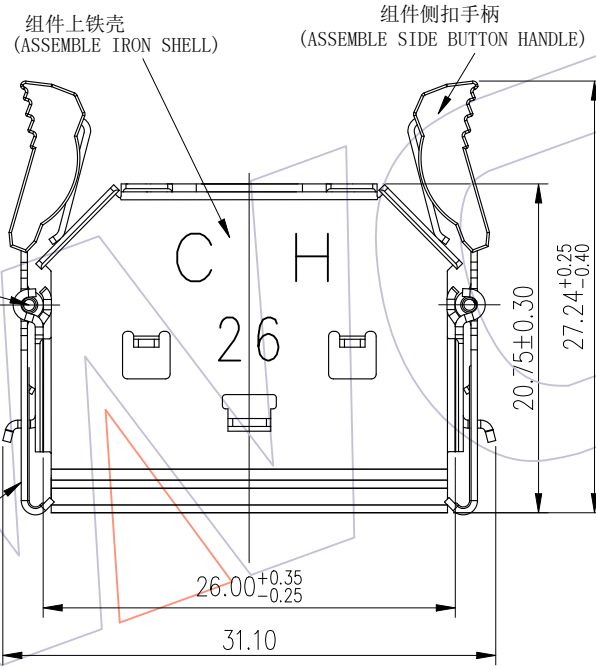
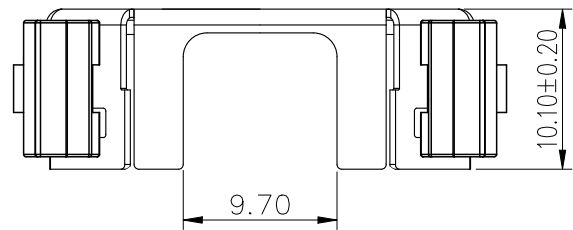
穴号位置

				OPERATION		DRAW	DATE	SCALE	FIT	PART NO.
				X.X	±0.40					
				X.XX	±0.25	CHECK	DATE	SIZE	A4	TITLE:
				X.XXX	±0.15					
A0	2021/11/20		NEW			APPROVE	DATE	SHEET	1/3	Customer NO.
REV	DATE		MODIFICATION DESCRIPTION	CHANGE						
				Angle	± 3°			PROJ.		
				DIM	TOL					

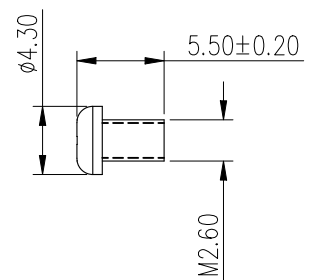
WCON
Http: www.wcon.com

WCON-Dongguan Tel: +86 769 85358920
 WCON-Kunshan Tel: +86 512 57468408
 Fax: +86 769 85358915 Fax: +86 512 57468468
 E-mail: sales@wcon.com E-mail: sales@wcon.com

HSF



组件线夹
(ASSEMBLE CLAMP)



组件螺丝
(ASSEMBLE SCREW)

上铁壳组合件
(UPPER IRON SHEEL ASSEMBLIES)

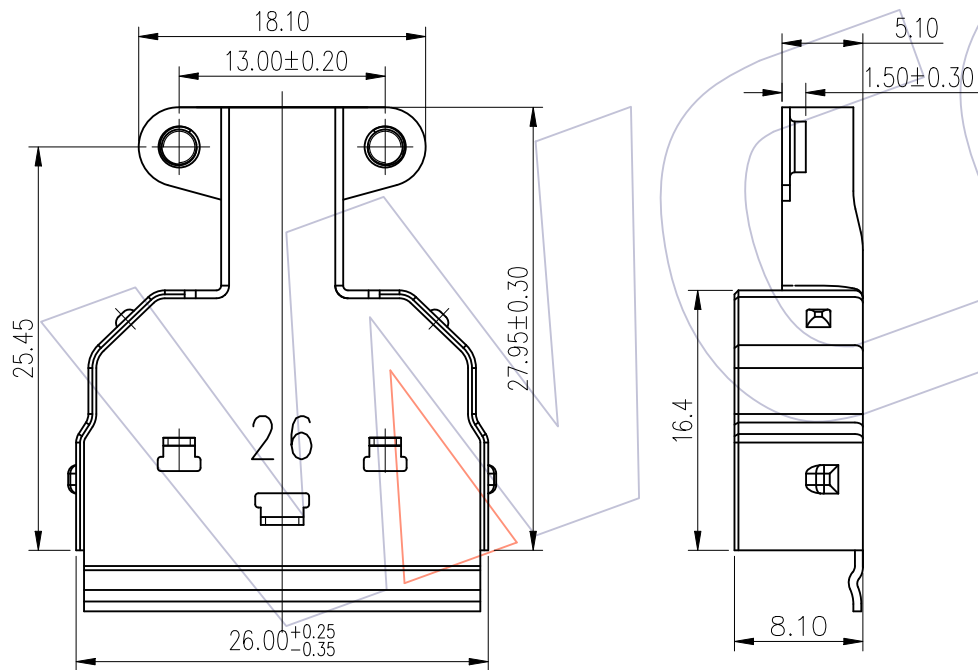
				OPERATION	DRAW	DATE	SCALE	FIT	PART NO.
				X.X ±0.40	XSR	2021/11/20	UNIT	mm	6326M-026S00P00X
				X.XX ±0.25	CHECK	DATE	SIZE	A4	TITLE:
A0	2021/11/20	NEW	/	X.XXX ±0.15	APPROVE	DATE	SHEET	2/3	SCSI ASSEMBLE(26PIN) (8PCS)
REV	DATE	MODIFICATION DESCRIPTION	CHANGE	Angle ± 3°			PROJ.	⌀	Customer NO.
				DIM TOL					

WCON
Http: www.wcon.com

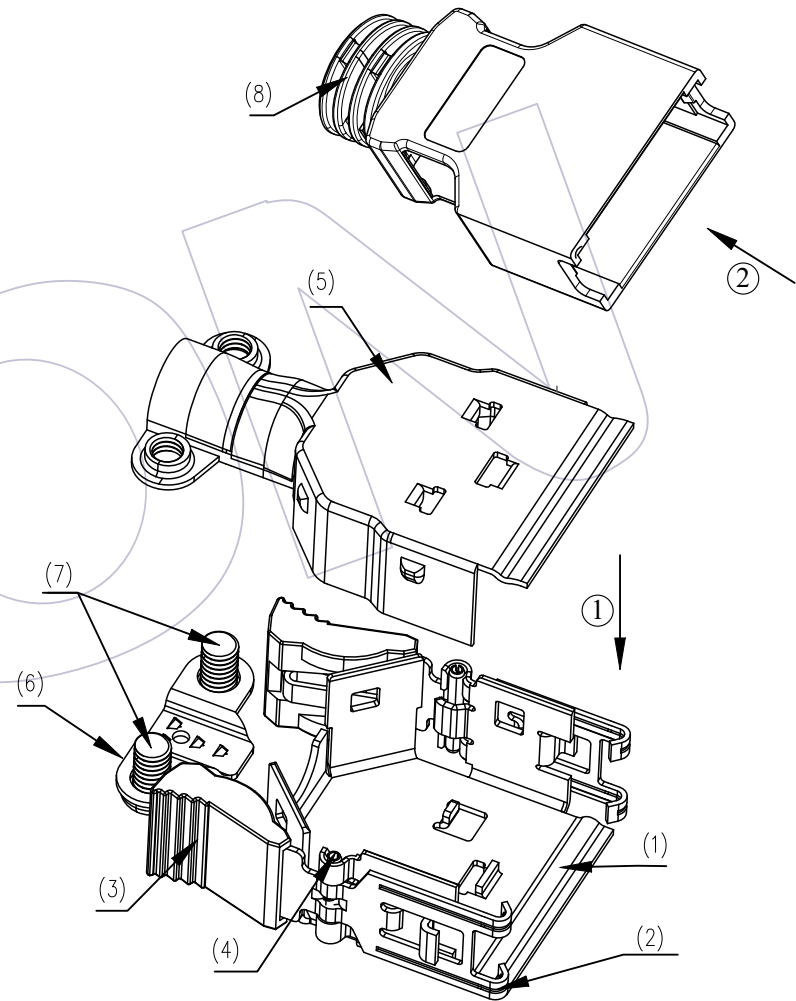
WCON-Dongguan Tel: +86 769 85358920
WCON-Kunshan Tel: +86 512 57468408
Fax: +86 769 85358915 Fax: +86 512 57468468
E-mail: sales@wcon.com E-mail: sales@wcon.com

HSF

(8)	PLASTIC HOUSING	G6326M-026XS01	1	ABS Black/Gray/Natural
(7)	SCREW	L6326-SNI01	2	C1018A Plating Ni
(6)	CLAMP	B6326-026PNI01	1	C5191-H,T=0.5 Plating Ni
(5)	LOWER IRON SHELL	M6326-026DNI02	1	SPCC,T=0.5,Plating Ni
(4)	BOLT	I6326-SM001	2	SUS301
(3)	SIDE BUTTON HANDLE	G6326-XJ01	2	PC+ABS Black/Gray/Natural
(2)	SIDE BUCKLE SHRAPNEL	K6326-SM001A	2	SUS301
(1)	UPPER IRON SHELL	M6326-026DNI01	1	SPCC,T=0.5,Plating Ni
ITEM	Descriptionn	Part Number	Q'TY	Materials



组件下铁壳
(ASSEMBLE LOWER IRON SHELL)



3D组装示意图
3D ASSEMBLY SKETCH

				OPERATION	DRAW	DATE	SCALE	FIT	PART NO.
				X.X ±0.40	XSR	2021/11/20	UNIT	mm	6326M-026S00P00X
				X.XX ±0.25	CHECK	DATE	SIZE	A4	TITLE:
A0	2021/11/20	NEW	/	X.XXX ±0.15	APPROVE	DATE	SHEET	3/3	SCSI ASSEMBLE(26PIN) (8PCS)
REV	DATE	MODIFICATION DESCRIPTION	CHANGE	Angle ± 3°			PROJ.	⌀	Customer NO.
				DIM TOL					

WCON
Http: www.wcon.com

WCON-Dongguan Tel: +86 769 85358920
WCON-Kunshan Tel: +86 512 57468408
Fax: +86 769 85358915 Fax: +86 512 57468468
E-mail: sales@wcon.com E-mail: sales@wcon.com