

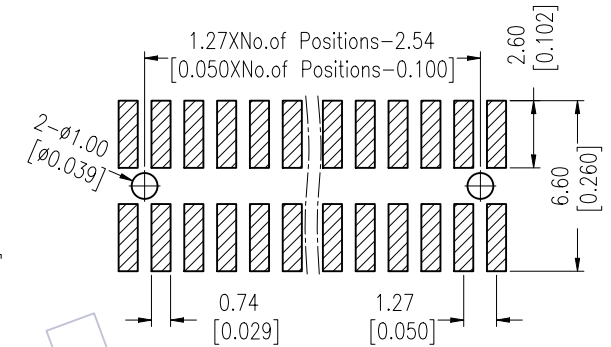
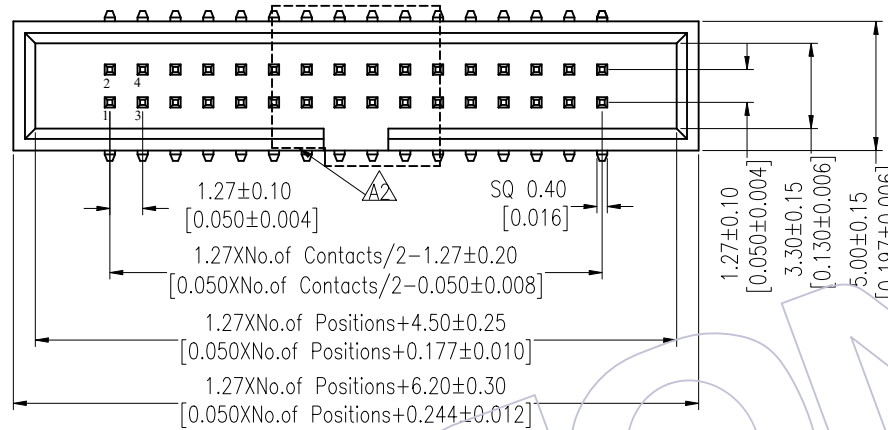
HSF

NOTES:

Current Rating:1AMP
 Contact Resistance:20mΩ max
 Withstand Voltage:500V AC/DC
 Insulation Resistance:1000MΩ min
 Operation Temperature:-40°C to +105°C

Contact Material:Brass
 Contact plating:Au or Sn Over Ni
 Insulator Material:PA9T+30%GF(UL94V-0)

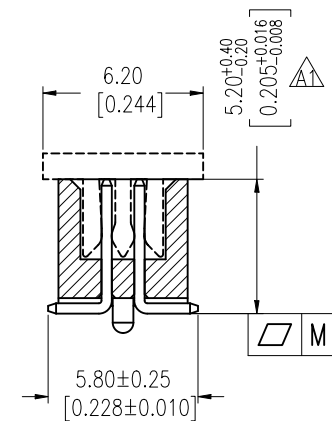
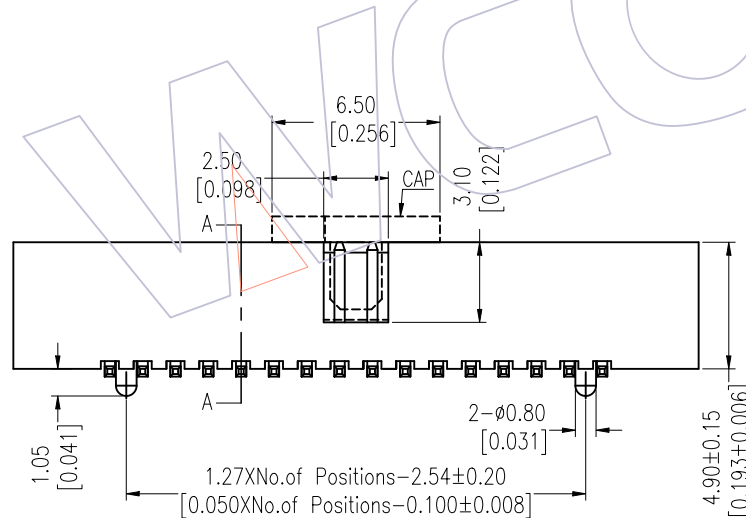
Recommended P. C. B Layout (Top Side)
 (PCB BOARD TOLERANCE ±0.05)



Ordering Information

3130- XX M XX B K00 X 2

No.of Pins	Contact Plating	Color Insulator	Packing
10	G0=Gold Flash	B=Black	A=Tray
14	G1=3u"Gold	U=Blue	T=Tube
16	G2=5u"Gold	W=White	P=Tube+CAP
20	G3=10u"Gold		R=Tape&Reel+CAP
24	G4=15u"Gold		
26	G5=30u"Gold		
30	S0=Gold Flash/Tin		
32	S1=3u"Gold/Tin		
	S2=5u"Gold/Tin		
	S3=10u"Gold/Tin		
	S4=15u"Gold/Tin		
	S5=30u"Gold/Tin		
	SN=Tin		



A3

PIN(PerRow)	2-20P	22-40P	40-100P
M	0.10	0.12	0.15

REV	DATE	MODIFICATION DESCRIPTION	CHANGE	OPERATION	DRAW	DATE	SCALE	FIT	PART NO.
A3	2023/02/15	Add Flatness	DuYing	OPERATION	DuYing	2023/02/15	SCALE	FIT	3130-XXMXXBK00X2
A2	2012/08/31	Modify CAP	Tsingsn	X.X ±0.40	CHECK	DATE	UNIT	mm	TITLE: 1.27 BOX HEADER SMT H=4.90 WITH POST
A1	2010/09/30	Change drawing		X.XX ±0.25	APPROVE	DATE	SIZE	A4	
A0	2008/04/25	NEW		X.XXX ±0.15			SHEET	1/1	Customer NO.
				Angle ± 3°			PROJ.		

WCON
 Http: www.wcon.com

WCON-Dongguan WCON-Kunshan
 Tel: +86 769 85358920 Tel: +86 512 57468408
 Fax: +86 769 85358915 Fax: +86 512 57468468
 E-mail: sales@wcon.com E-mail: salesks@wcon.com