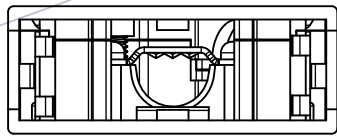
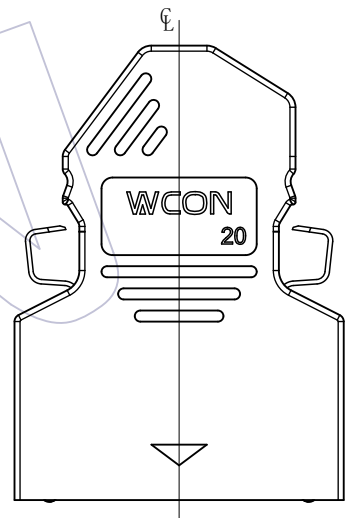
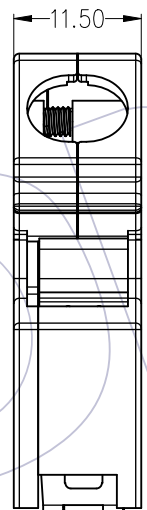
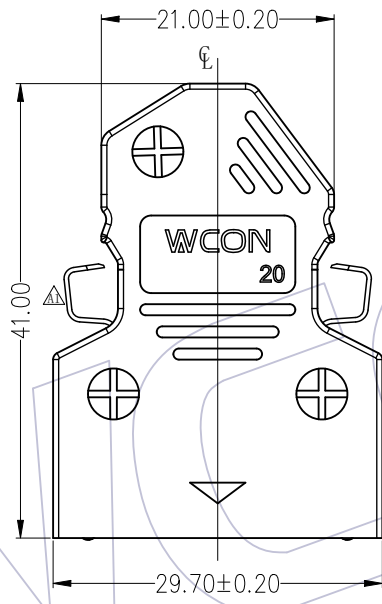
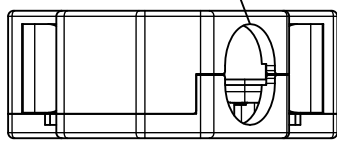


HSF

电线穿孔
外径 $\phi 10.90\text{MAX}$



Ordering Information

6329M- 020 S 00 M 0 01 W

NO.of pins 20P
 Contact Plating 00=NO contact
 Shell material M=Metal
 Wcon Internal Code: 01
 Packing 0=BAG
 W=W/T WCON

(6)	LOWER SHELL	M6329M-020SNI02W	1	锌合金, 镀高磷镍
(5)	SIDE BUCKLE SHRAPNEL	K6328M-SM002 \triangle	2	SUS,T=0.40mm
(4)	CLAMP	B6326-020PNI01	1	C5191-H,Plating Ni
(3)	SCREW CLAMP	L6326-SNI01	2	SUS,M2.6,Plating Ni
(2)	SCREW SHELL	L6328M-SNI01	3	SUS,M2.6,Plating Ni
(1)	UPPER SHELL	M6329M-020SNI01W	1	锌合金, 镀高磷镍
ITEM	DESCRIPTION	P/N	Q'TY	MATERIALS

		OPERATION		DRAW		DATE		SCALE		FIT		PART NO.	
		X.X ±0.40		NYF		2023/10/25		UNIT		mm		6329M-020S00M01W	
A1		2023/10/25		Modify		/		X.XX ±0.25		CHECK		DATE	
A0		2022/03/03		NEW		/		X.XXX ±0.15		APPROVE		DATE	
REV		DATE		MODIFICATION DESCRIPTION		CHANGE		Angle ± 3°		DIM		TOL	

WCON
 Http: www.wcon.com

WCON-Dongguan
 Tel: +86 769 85358920
 Fax: +86 769 85358915
 E-mail: sales@wcon.com

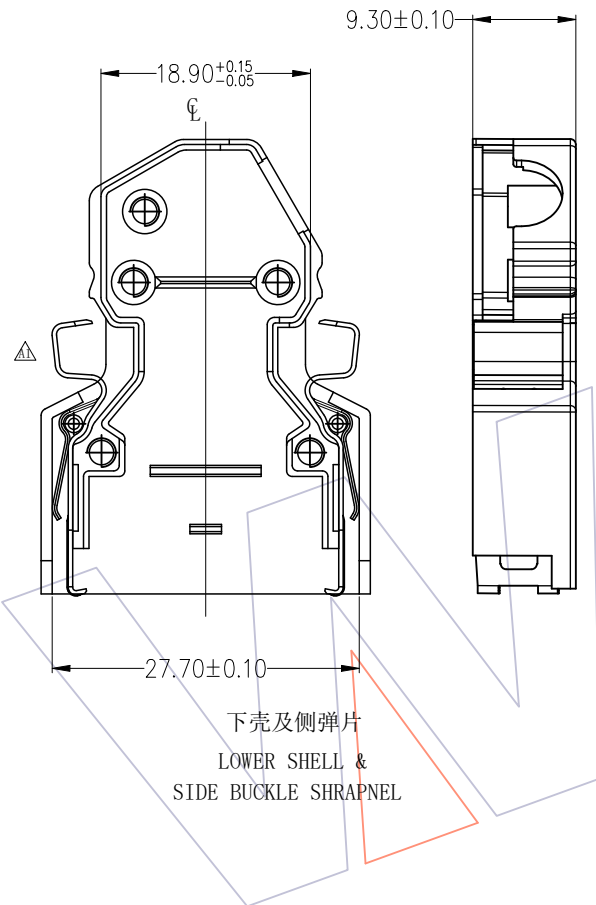
WCON-Kunshan
 Tel: +86 512 57468408
 Fax: +86 512 57468468
 E-mail: salesks@wcon.com

TITLE:		SCSI ASSEMBLE(20PIN) (6PCS)	
Customer NO.			

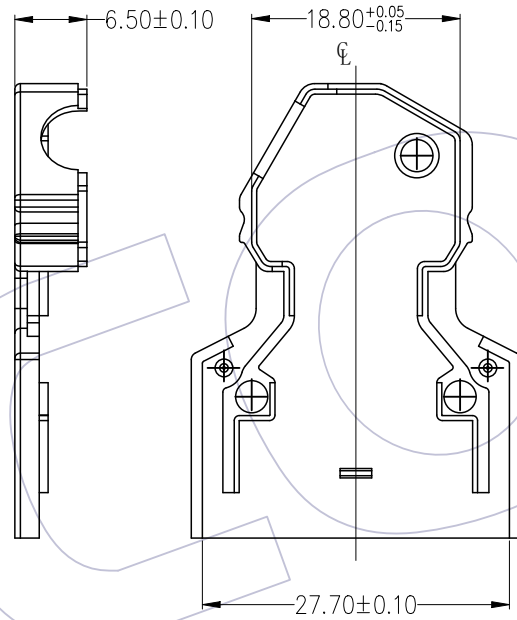
A
B
C
D
E
F
G
H

A
B
C
D
E
F
G
H

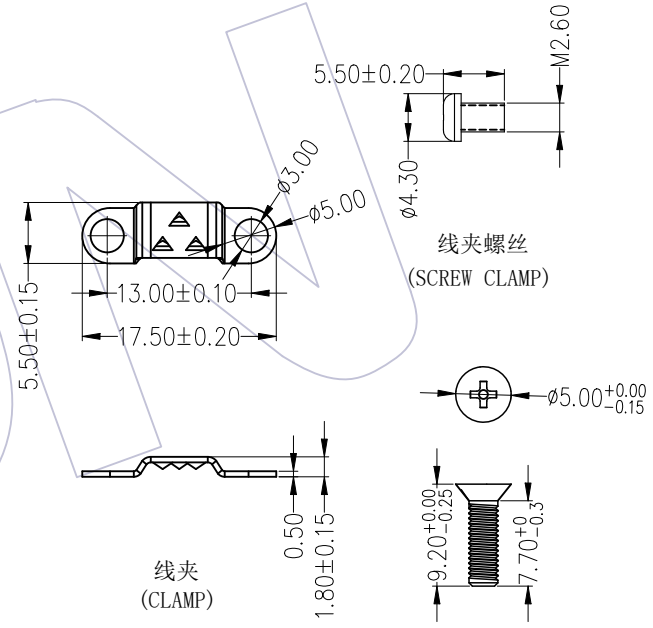
HSF



下壳及侧弹片
LOWER SHELL &
SIDE BUCKLE SHRAPNEL



上壳
UPPER SHELL



线夹
(CLAMP)

线夹螺丝
(SCREW CLAMP)

壳螺丝
(SCREW SHELL)

REV	DATE	MODIFICATION DESCRIPTION	CHANGE
A1	2023/10/25	Modify	/
A0	2022/03/03	NEW	/

OPERATION	DRAW	DATE	SCALE	FIT
X.X ±0.40	NYF	2023/10/25	UNIT mm	
X.XX ±0.25	CHECK	DATE	SIZE A4	
X.XXX ±0.15	APPROVE	DATE	SHEET 2/3	
Angle ± 3°			PROJ.	
DIM TOL				

PART NO. 6329M-020S00M001W
TITLE: SCSI ASSEMBLE(20PIN) (6PCS)
Customer NO.



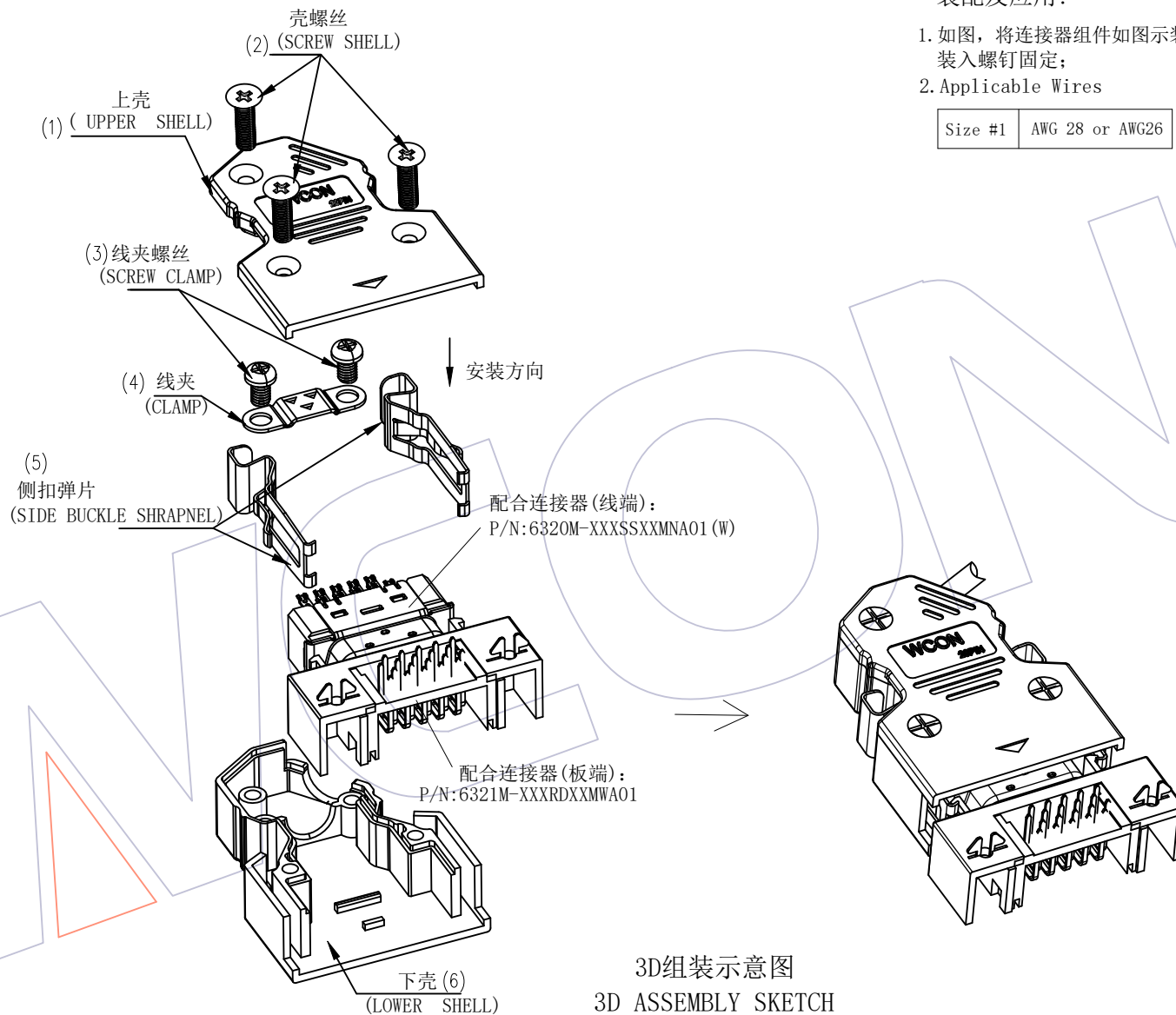
WCON-Dongguan Tel: +86 769 85358920 Fax: +86 769 85358915 E-mail: sales@wcon.com
WCON-Kunshan Tel: +86 512 57468408 Fax: +86 512 57468468 E-mail: salesks@wcon.com

HSF

装配及应用:

1. 如图, 将连接器组件如图所示装入两壳中间, 装入螺钉固定;
2. Applicable Wires

Size #1	AWG 28 or AWG26
---------	-----------------



REV	DATE	MODIFICATION DESCRIPTION	CHANGE	OPERATION	DRAW	DATE	SCALE	FIT	PART NO.
A1	2023/10/25	Modify	/	X.X ±0.40	NYF	2023/10/25	UNIT	mm	6329M-020S00M001W
A0	2022/03/03	NEW	/	X.XX ±0.25	CHECK	DATE	SIZE	A4	TITLE: SCSI ASSEMBLE(20PIN) (6PCS)
				X.XXX ±0.15	APPROVE	DATE	SHEET	3/3	Customer NO.
				Angle ± 3°			PROJ.		
				DIM TOL					

WCON
Http: www.wcon.com

WCON-Dongguan Tel: +86 769 85358920 Fax: +86 769 85358915 E-mail: sales@wcon.com	WCON-Kunshan Tel: +86 512 57468408 Fax: +86 512 57468468 E-mail: salesks@wcon.com
---	--