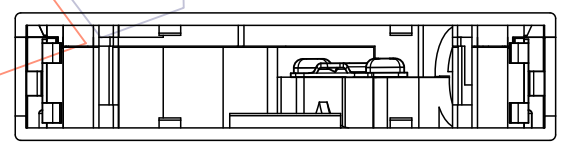
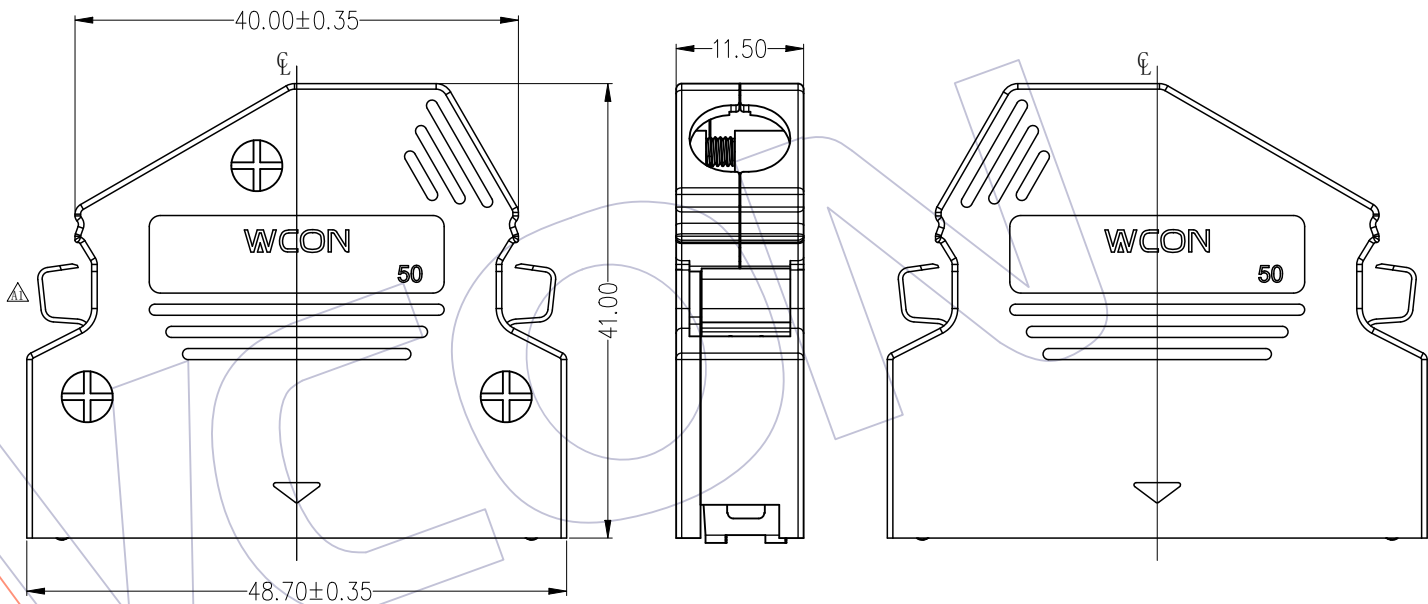
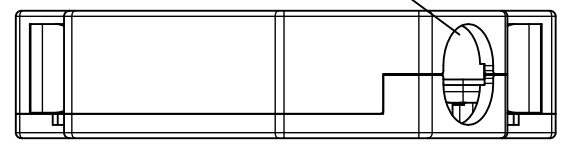


HSF

电线穿孔
外径 $\phi 10.90\text{MAX}$



Ordering Information

6329M- 050 S 00 M 0 01 W

NO.of pins
50P

Contact Plating
00=NO contact

Shell material
M=Metal

Wcon Internal Code:
0=BAG

W=W/T WCON

(6)	LOWER SHELL	M6329M-050SNI02W	1	锌合金, 镀高磷镍
(5)	SIDE BUCKLE SHRAPNEL	K6328M-SM002	2	SUS,T=0.40mm
(4)	CLAMP	B6326-050PNI01	1	C5191-H,Plating Ni
(3)	SCREW CLAMP	L6326-SNI01	2	SUS,M2.6,Plating Ni
(2)	SCREW SHELL	L6328M-SNI01	3	SUS,M2.6,Plating Ni
(1)	UPPER SHELL	M6329M-050SNI01W	1	锌合金, 镀高磷镍
ITEM	DESCRIPTION	P/N	Q'TY	MATERIALS

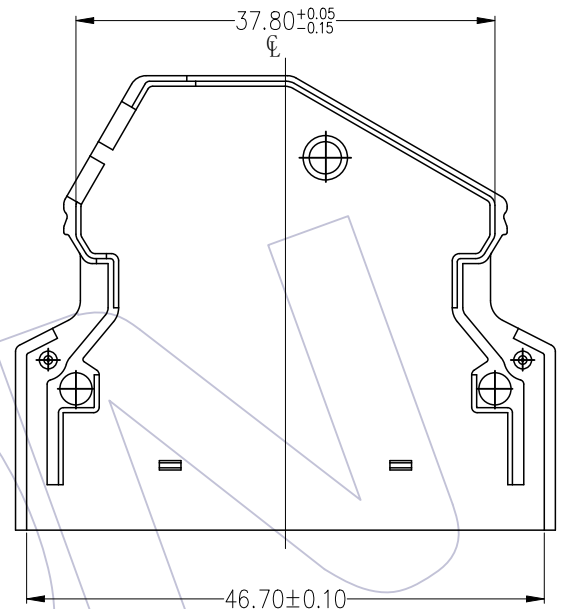
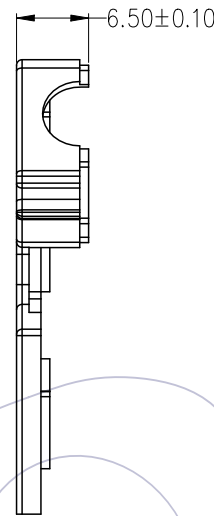
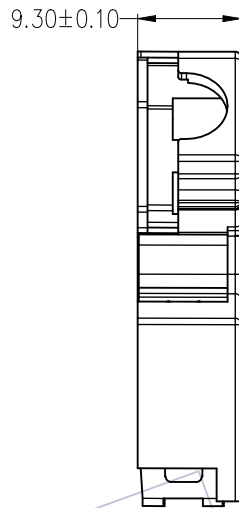
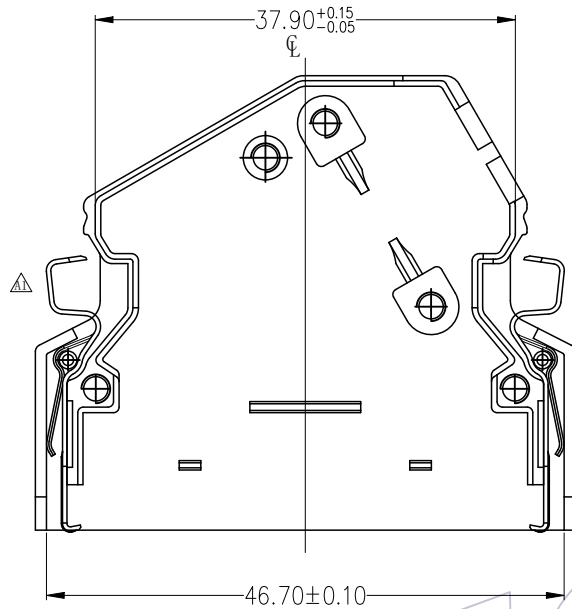
REV	DATE	MODIFICATION DESCRIPTION	CHANGE	OPERATION	DRAW	DATE	SCALE	FIT	PART NO.
A1	2023/10/25	Modify	/	X.X ±0.40	NYF	2023/10/25	UNIT mm		6329M-050S00M001W
A0	2022/03/03	NEW	/	X.XX ±0.25	CHECK	DATE	SIZE A4		TITLE: SCSI ASSEMBLE(50PIN) (6PCS)
				X.XXX ±0.15	APPROVE	DATE	SHEET 1/3		Customer NO.
				Angle ± 3°			PROJ.		
				DIM TOL					



Http: www.wcon.com

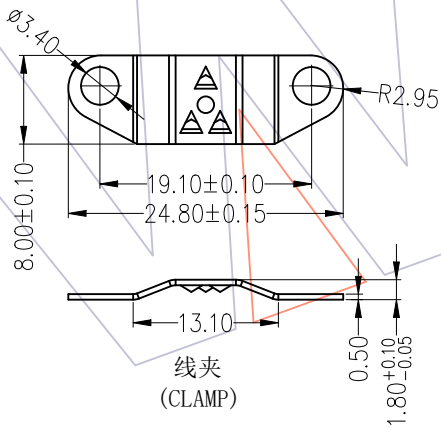
WCON-Dongguan Tel: +86 769 85358920 Fax: +86 769 85358915 E-mail: sales@wcon.com	WCON-Kunshan Tel: +86 512 57468408 Fax: +86 512 57468468 E-mail: salesks@wcon.com
---	--

HSF

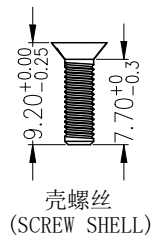
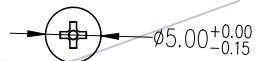


下壳及侧弹片
LOWER SHELL &
SIDE BUCKLE SHRAPNEL

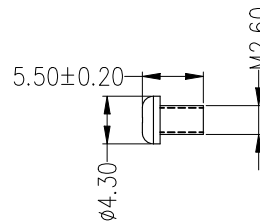
上壳
UPPER SHELL



线夹
(CLAMP)



壳螺丝
(SCREW SHELL)



线夹螺丝
(SCREW CLAMP)

REV	DATE	MODIFICATION DESCRIPTION	CHANGE	OPERATION	DRAW	DATE	SCALE	FIT	PART NO.
A1	2023/10/25	Modify	/	x.x ±0.40	NYF	2023/10/25	UNIT	mm	6329M-050S00M001W
A0	2022/03/03	NEW	/	x.xx ±0.25	CHECK	DATE	SIZE	A4	TITLE:
				x.xxx ±0.15	APPROVE	DATE	SHEET	2/3	SCSI ASSEMBLE(50PIN) (6PCS)
				Angle ± 3°			PROJ.	Customer NO.	
				DIM TOL					

WCON

Http: www.wcon.com

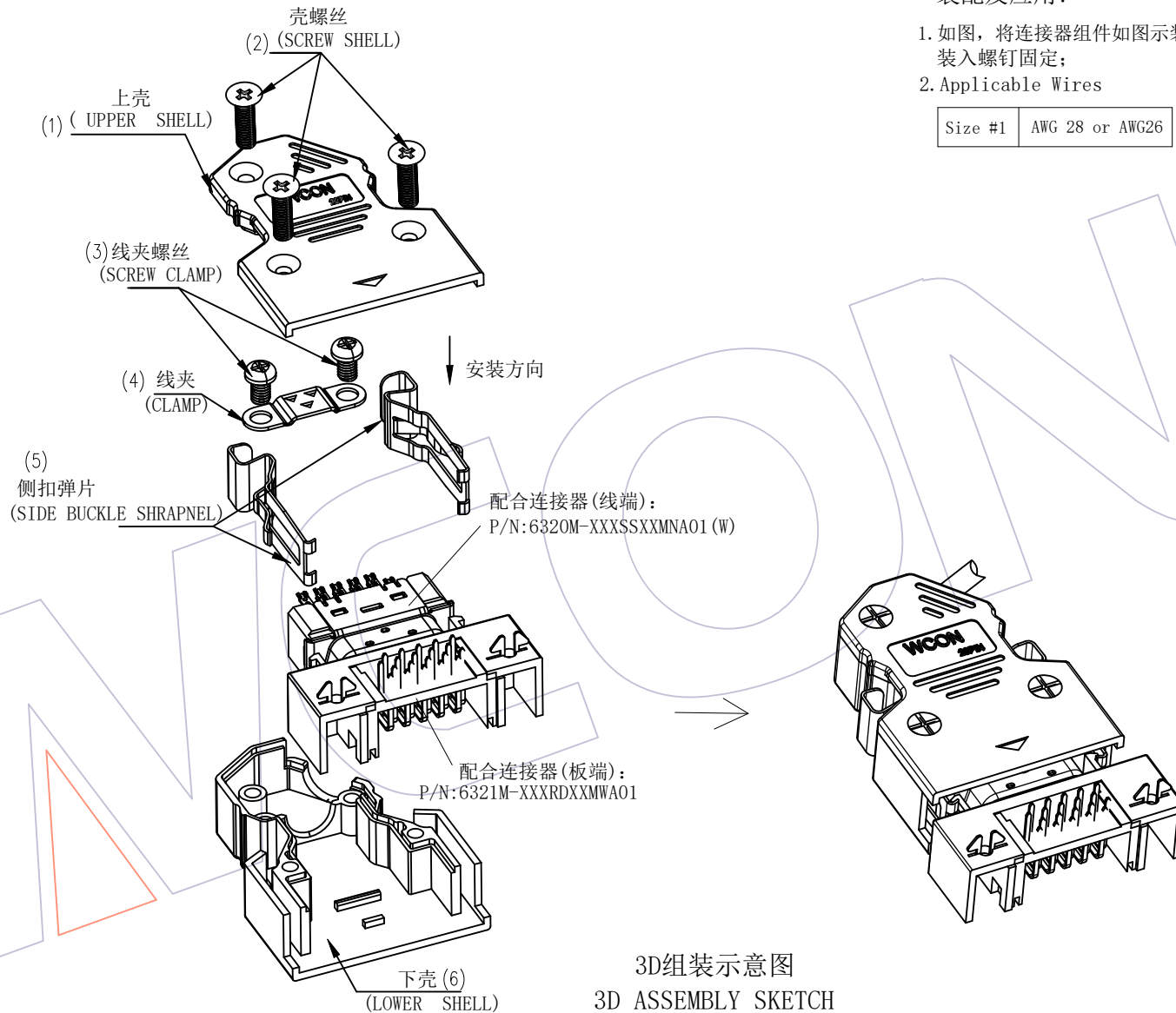
WCON-Dongguan Tel: +86 769 85358920
WCON-Kunshan Tel: +86 512 57468408
Fax: +86 769 85358915 Fax: +86 512 57468468
E-mail: sales@wcon.com E-mail: sales@wcon.com

HSF

装配及应用:

1. 如图, 将连接器组件如图所示装入两壳中间, 装入螺钉固定;
2. Applicable Wires

Size #1	AWG 28 or AWG26
---------	-----------------



REV	DATE	MODIFICATION DESCRIPTION	CHANGE	OPERATION	DRAW	DATE	SCALE	FIT	PART NO.
A1	2023/10/25	Modify	/	X.X ±0.40	NYF	2023/10/25	UNIT	mm	6329M-050S00M001W
A0	2022/03/03	NEW	/	X.XX ±0.25	CHECK	DATE	SIZE	A4	TITLE: SCSI ASSEMBLE(50PIN) (6PCS)
				X.XXX ±0.15	APPROVE	DATE	SHEET	3/3	Customer NO.
				Angle ± 3°			PROJ.		
				DIM TOL					

WCON
Http: www.wcon.com

WCON-Dongguan Tel: +86 769 85358920 Fax: +86 769 85358915 E-mail: sales@wcon.com	WCON-Kunshan Tel: +86 512 57468408 Fax: +86 512 57468468 E-mail: salesks@wcon.com
---	--