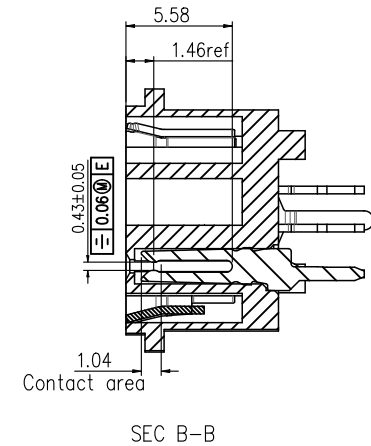
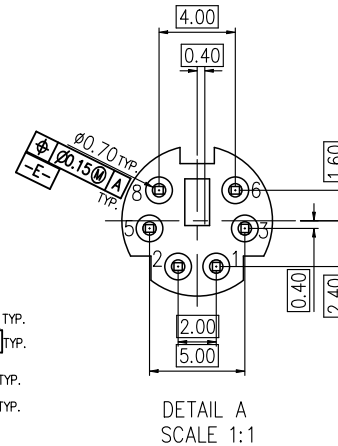
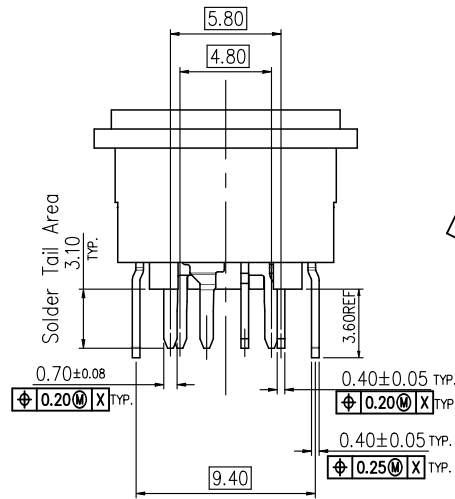
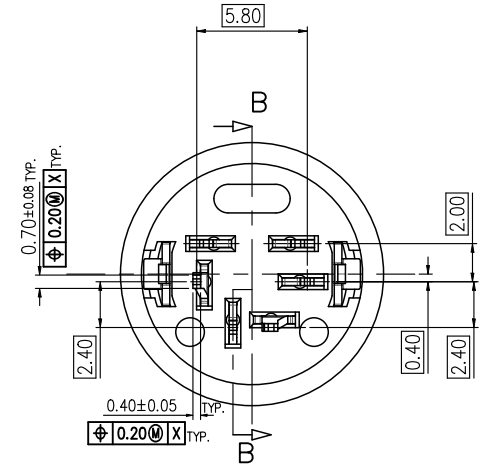
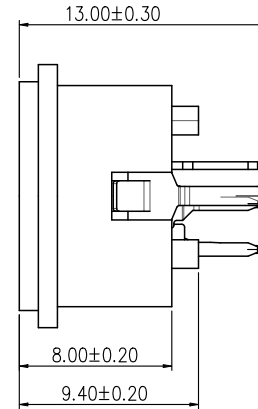
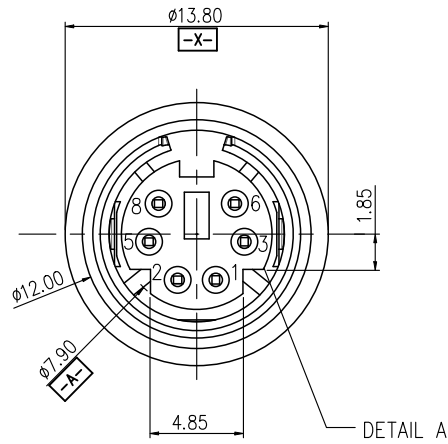


# HSF

**NOTES:**

1. Rated Current: 1.0A;
2. Rated Voltage: 30V;
3. Contact Resistance: 30mΩ max;
4. Withstand Voltage: 500V AC;
5. Insulation Resistance: 100MΩ min to 500V DC;
6. Operation Temperature: -55°C to +105°C;
7. Recommended Process:  
Wave Solder temperature 245±5°C to 5S;
8. Material:  
Housing Material: PBT UL94V-0 Black  
Terminal Material: Copper Alloy;  
Copper Ring Material: Copper Alloy;
9. Terminal Finish:  
xxu" Gold on contact area (see ordering information),  
80u" Min. Sn plated on Solder area,  
50u" Min Ni Underplating overall;
10. Shell Finish: 30u" Min, Ni Underplating Over All;
11. Copper Ring Finish: 30u" Min, Ni Underplating Over Al.



## Ordering Information

6424 - 06 F S0 S B N 01

- No. of Pins: 06=6PIN
- Type: F=Female
- Contact Plating: S0=Gold Flash/Tin
- WCON internal code
- No Spring
- Colour: B=Black
- Straight Type

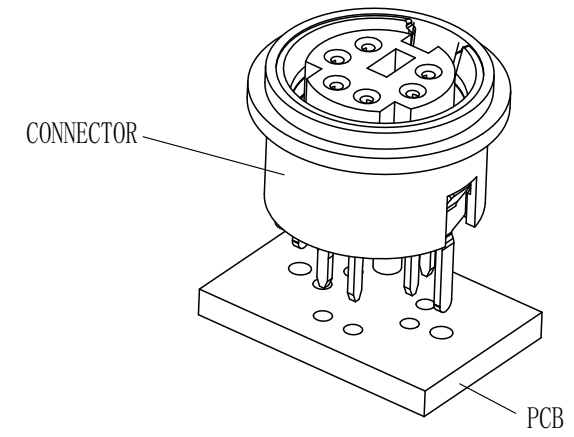
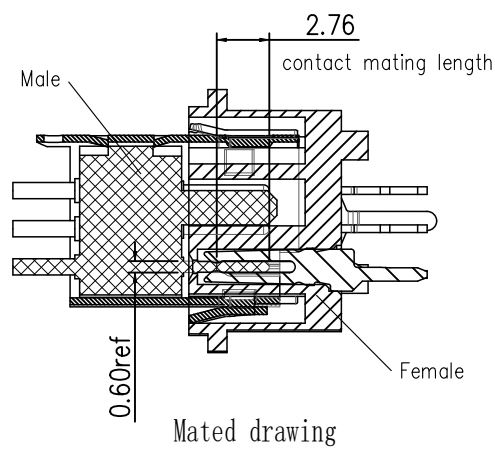
				OPERATION	DRAW	DATE	SCALE	FIT	PART NO.
				x.x ±0.30	Morris	2021/10/07	UNIT	mm	6424-06FS0SBN01
				x.xx ±0.25	CHECK	DATE	SIZE	A4	TITLE:
A0	2021/10/07	NEW	---	x.xxx ±0.15	APPROVE	DATE	SHEET	1/2	Mini Din Female 6P S/T Conn
REV	DATE	MODIFICATION DESCRIPTION	CHANGE	Angle ±3'			PROJ.	Customer NO.	
				DIM TOL					

# WCON

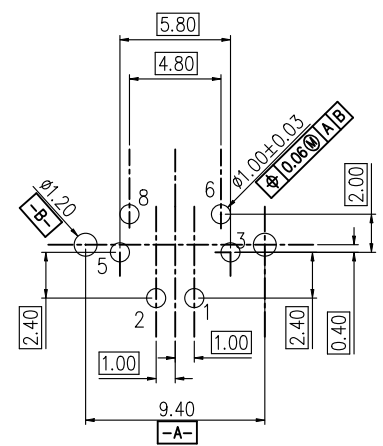
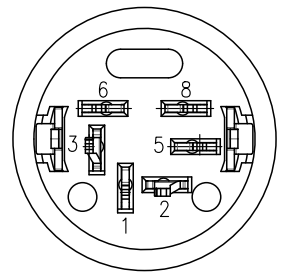
Http: [www.wcon.com](http://www.wcon.com)

WCON-Dongguan	WCON-Kunshan
Tel: +86 769 85358920	Tel: +86 512 57468408
Fax: +86 769 85358915	Fax: +86 512 57468468
E-mail: <a href="mailto:sales@wcon.com">sales@wcon.com</a>	E-mail: <a href="mailto:salesks@wcon.com">salesks@wcon.com</a>

# HSF



Recommended P.C.B Layout(Top View)  
(PCB BOARD TOLERANCE±0.03)



				OPERATION	DRAW	DATE	SCALE	FIT	PART NO.	<b>WCON</b> Http: www.wcon.com
				x.x ±0.30	Morris	2021/10/07	UNIT	mm	6424-06FS0SBN01	
				x.xx ±0.25	CHECK	DATE	SIZE	A4	TITLE:	WCON-Dongguan
A0	2021/10/07	NEW	---	x.xxx ±0.15	APPROVE	DATE	SHEET	2/2	Mini Din Female 6P S/T Conn	WCON-Kunshan
REV	DATE	MODIFICATION DESCRIPTION	CHANGE	Angle ±3'			PROJ.	◆	Customer NO.	Tel: +86 769 85358920
				DIM TOL						Tel: +86 512 57468408
										Fax: +86 769 85358915
										Fax: +86 512 57468468
										E-mail: sales@wcon.com
										E-mail: salesks@wcon.com