

# HSF

**NOTES:**

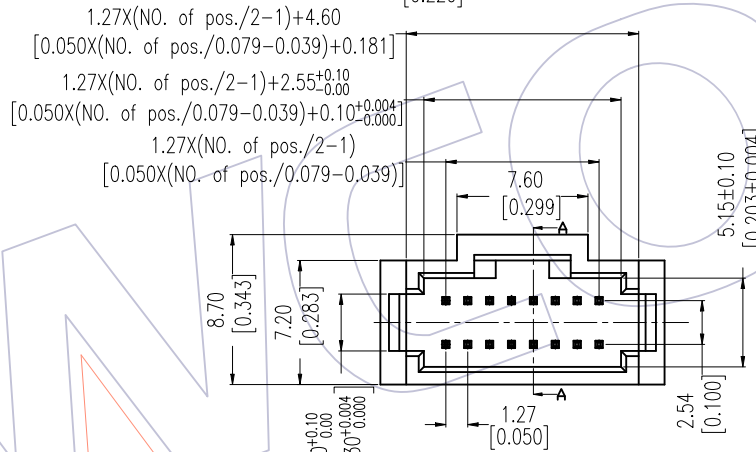
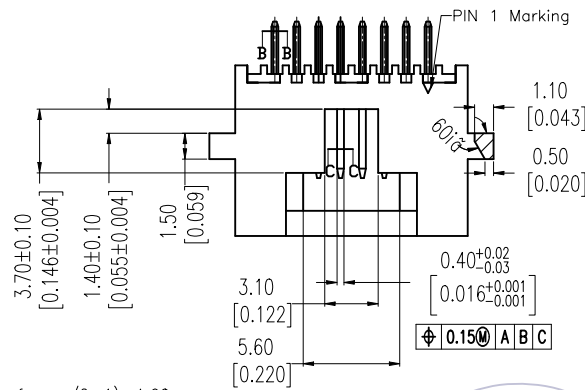
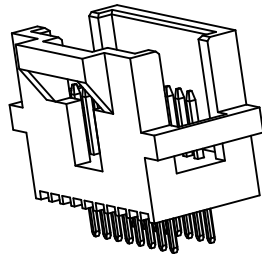
Current Rating:1AMP  
 Contact Resistance:30mΩ max  
 Withstand Voltage:250V AC/DC  
 Insulation Resistance:1000MΩ min  
 Operation Temperature:-40°C to +105°C

Contact Material:Phosphor Bronze(C5191-H)  
 Contact plating:Au Or Sn Over Ni  
 Insulator Material:PA9T+33%GF(UL94V-0)

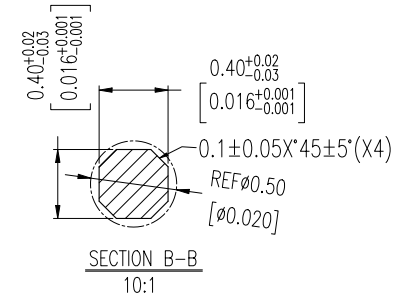
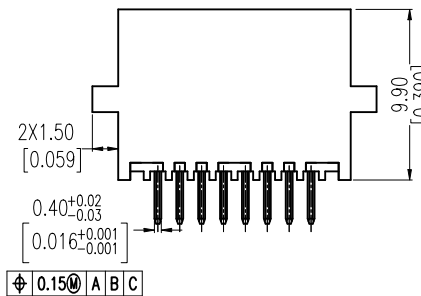
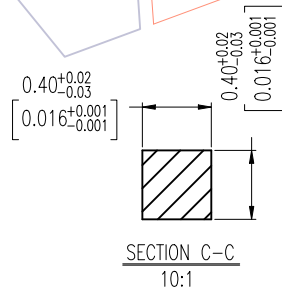
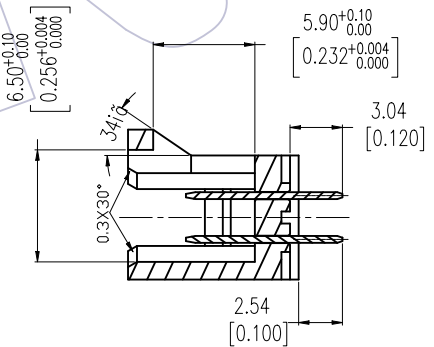
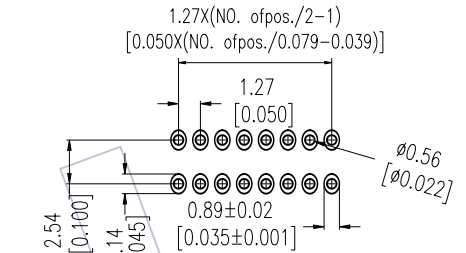
## Ordering Information

3144A-XX S XX B K00 X 2

No.of Pins	Contact Plating	Color Insulator	Packing
08 34	G0=Gold Flash	B=Black	T=Tube
10 40	G3=10u"Gold		
14 44	G4=15u"Gold		
16 50	G5=30u"Gold		
20 60	S0=Gold Flash/Tin		
24 64	S3=10u"Gold/Tin		
26 80	S4=15u"Gold/Tin		
30 100	S5=30u"Gold/Tin		
32	SN=Tin		



**Recommended P. C. B Layout (Top Side)**  
 (PCB BOARD TOLERANCE±0.05)



REV	DATE	MODIFICATION DESCRIPTION	CHANGE	OPERATION		DRAW	DATE	SCALE	FIT	PART NO.
				Angle	± 3'					
				X.X	±0.40	DingWenMin	2016/12/07	UNIT	mm	3144A-XXSXXBK00X2
				X.XX	±0.25	CHECK	DATE	SIZE	A4	
A0	2016/12/07	NEW		X.XXX	±0.15	APPROVE	DATE	SHEET	1/1	TITLE: 1.27*2.54 BOX HEADER H=9.90 180° DIP W/O LOGO
				DIM	TOL			PROJ.	⌀	Customer NO.

**WCON**  
 Http: www.wcon.com

WCON-Dongguan Tel: +86 769 85358920  
 WCON-Kunshan Tel: +86 512 57468408  
 Fax: +86 769 85358915  
 Fax: +86 512 57468468  
 E-mail: sales@wcon.com  
 E-mail: salesks@wcon.com