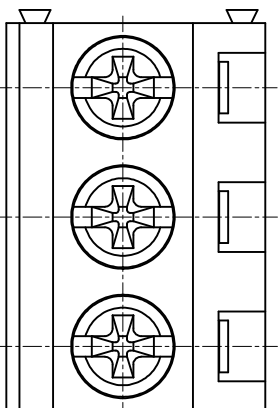
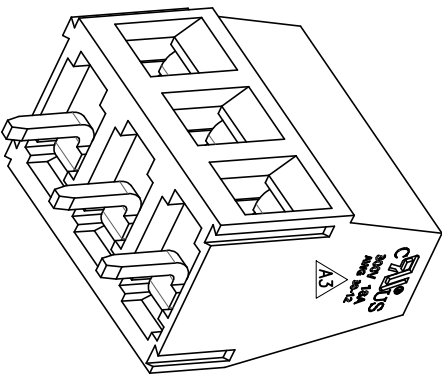


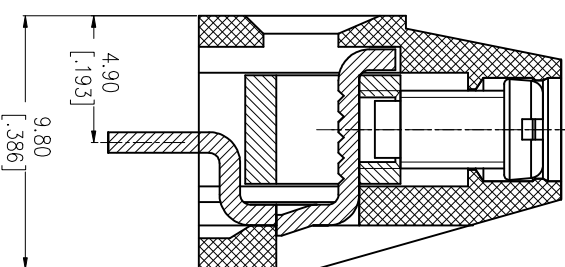
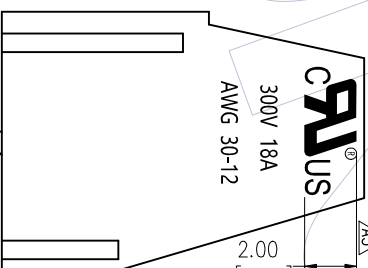
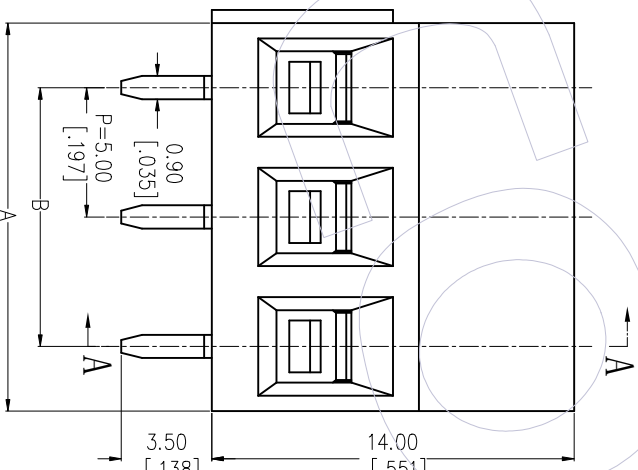
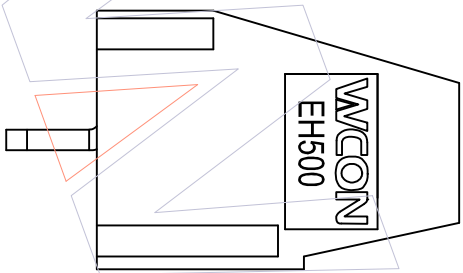
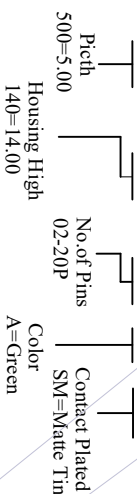
NOTES:
 Current Rating: 18
 Voltage Rating: 300V
 Contact Resistance: 8milliohm Max
 Withstand Voltage: AC2500V
 Insulation Resistance: 1000Megohm Min
 Screw Torque: 4.4 lbf.in
 Wire range: 12-30AWG
 Operation Temperature: -40°C to +105°C
 Housing Material: PA66 UL94V-0
 Screw: Steel
 Pin Block: Brass
 Cite Feet: Brass



A4		DIM.A	DIM.B	PINS
20.00±0.25	15.00±0.20	4P=2P+2P		
25.00±0.25	20.00±0.20	5P=2P+3P		
30.00±0.30	25.00±0.25	6P=3P+3P		
35.00±0.30	30.00±0.25	7P=2P+2P+3P		
40.00±0.30	35.00±0.25	8P=3P+3P+2P		
45.00±0.35	40.00±0.30	9P=3P+3P+3P		
50.00±0.35	45.00±0.30	10P=3P+3P+2P+2P		
55.00±0.35	50.00±0.30	11P=3P+3P+3P+2P		
60.00±0.40	55.00±0.35	12P=3P+3P+3P+3P		
65.00±0.40	60.00±0.35	13P=3P+3P+3P+2P+2P		
70.00±0.40	65.00±0.35	14P=3P+3P+3P+3P+2P		
75.00±0.45	70.00±0.40	15P=3P+3P+3P+3P+3P		
80.00±0.45	75.00±0.40	16P=3P+3P+3P+3P+2P+2P		
85.00±0.45	80.00±0.40	17P=3P+3P+3P+3P+3P+2P		
90.00±0.50	85.00±0.45	18P=3P+3P+3P+3P+3P+3P		
95.00±0.50	90.00±0.45	19P=3P+3P+3P+3P+2P+2P		
100.00±0.50	95.00±0.45	20P=3P+3P+3P+3P+3P+2P		

Ordering Information:

E H 500 - 140 S XX A SM 1



3P	15.00±0.25	10.00±0.20
2P	10.00±0.20	5.00±0.15
PIN	A	B

A4	2021/11/01	Add 4-20P	XSR	OPERATION	DRAW	DATE	SCALE	FIT	PART NO.	TITLE: 5.00mm Pitch Euro Terminal Blocks	WCON-Dongguan Tel: +86 769 85358920 Fax: +86 769 85358915 E-mail: sales@wcon.com	WCON-Kunshan Tel: +86 512 57468408 Fax: +86 512 57468468 E-mail: sales@wcon.com
A3	2020/06/18	Add UL Logo	XSR	±0.40	XSR	2021/11/01	mm	1/1	EH500-140SXXASM1			
A2	2013/04/25	Modify	XSR	±0.25	CHECK	DATE	inch	A4				
A0	2011/06/04	NEW		±0.15	APPROVE	DATE	SHEET	1/1	Customer NO.			
REV	DATE	MODIFICATION DESCRIPTION	CHANGE	Angle DIM	TOL		PROJ.					

WCON
 Http: www.wcon.com