

# HSF

**NOTES:**

Current Rating:8A  
 Voltage Rating:300V  
 Contact Resistance:8milliohm Max  
 Withstand Voltage:AC 1500V  
 Insulation Resistance:1000Megohm Min  
 Operation Temperature:-40°C to +105°C

Housing Material:PA66+30%GF(UL94V-0)  $\triangle A3$   
 Contact Material:Brass

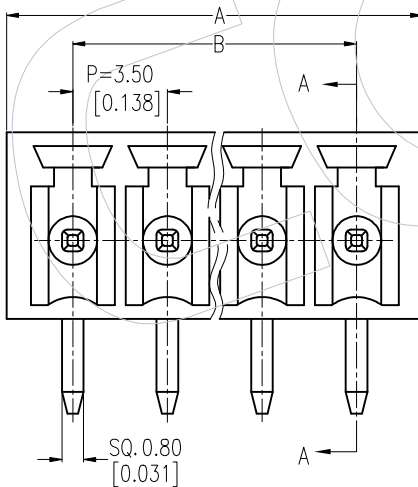
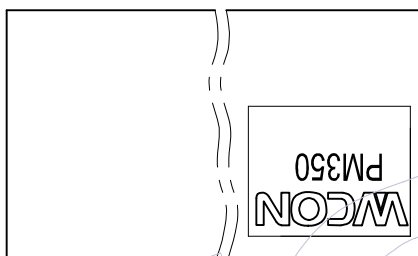
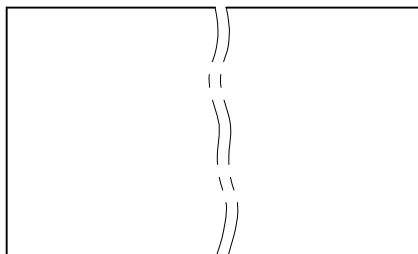
**Ordering Information:**

**P M 350 - 1 R XX A SM 1 N**

M=Male  
 Pitch 350=3.50  
 No.of Pins 02-20P  
 Color A=Green  
 Contact Plated SM=Matte Tin  
 Blank=W/T WCON  
 N=W/O WCON  
 Series No.

11P	39.90 ±0.30	35.00 ±0.30			
10P	36.40 ±0.30	31.50 ±0.30	20P	71.40 ±0.40	66.50 ±0.40
9P	32.90 ±0.30	28.00 ±0.30	19P	67.90 ±0.40	63.00 ±0.40
8P	29.40 ±0.20	24.50 ±0.20	18P	64.40 ±0.40	59.50 ±0.40
7P	25.90 ±0.20	21.00 ±0.20	17P	60.90 ±0.40	56.00 ±0.40
6P	22.40 ±0.20	17.50 ±0.20	16P	57.40 ±0.40	52.50 ±0.40
5P	18.90 ±0.20	14.00 ±0.20	15P	53.90 ±0.40	49.00 ±0.40
4P	15.40 ±0.20	10.50 ±0.20	14P	50.40 ±0.30	45.50 ±0.30
3P	11.90 ±0.20	7.00 ±0.20	13P	46.90 ±0.30	42.00 ±0.30
2P	8.40 ±0.20	3.50 ±0.10	12P	43.40 ±0.30	38.50 ±0.30
PIN	A	B	PIN	A	B

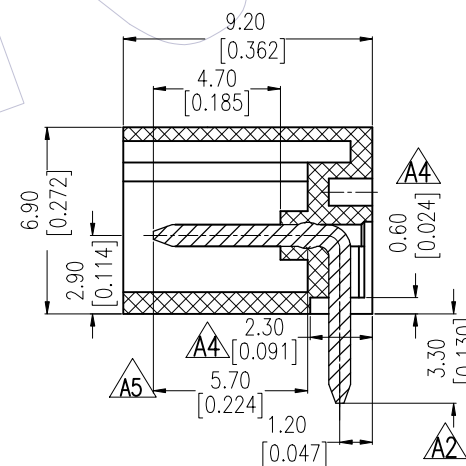
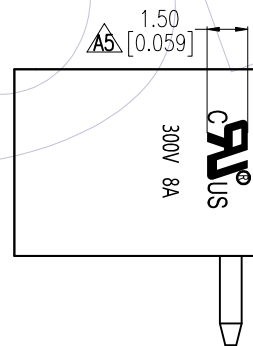
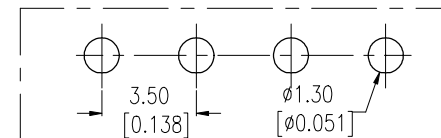
ITEM	Pitch	Mating
Standard	3.50	PF350
Alternate		



$\triangle A5$   
W/O WCON

W/T WCON

Recommended P.C.B Layout (Top Side)  
 (PCB BOARD TOLERANCE±0.05)



SECTION A-A

A5	2020/11/12	Add UL Logo & DIM;Add W/O WCON SPEC&P	$\triangle A5$	XSR	OPERATION	DRAW	DATE	SCALE	FIT	PART NO.
A4	2018/03/12	Modify	$\triangle A4$	XSR	x.X ±0.40	XSR	2020/11/12	UNIT	mm	PM350-1RXXASM1(N)
A3	2013/06/05	Modify The Housing Material	$\triangle A3$	---	x.XX ±0.25	CHECK	DATE	SIZE	A4	TITLE:
A0	2011/06/07	NEW	---	---	x.XXX ±0.15	APPROVE	DATE	SHEET	1/1	3.50mm Pitch Male
REV	DATE	MODIFICATION DESCRIPTION	CHANGE	Angle ± 3°	DIM TOL			PROJ.		Pluggable Terminal Blocks
										Customer NO.

**WCON**

Http: www.wcon.com

WCON-Dongguan  
 Tel: +86 769 85358920  
 Fax: +86 769 85358915  
 E-mail: sales@wcon.com

WCON-Kunshan  
 Tel: +86 512 57468408  
 Fax: +86 512 57468468  
 E-mail: sales@wcon.com