

NOTES:
 Current Rating:8A
 Voltage Rating:300V
 Contact Resistance:8milliohm Max
 Withstand Voltage:AC 1500V
 Insulation Resistance:1000Megohm Min
 Operation Temperature:-40°C to +105°C

Housing Material:PA66+30%GF(UL94V-0) $\triangle A2$
 Contact Material:Brass
 Inlay Material:Brass

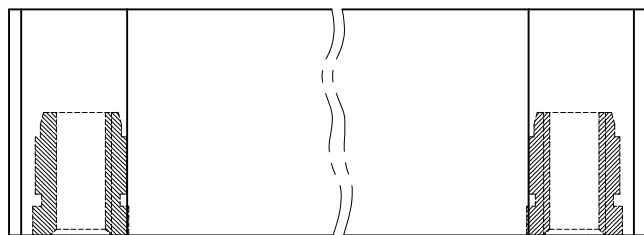
Ordering Information:

P M 381 - 1 RXX A SM 2 N $\triangle A5$

M=Male
 Pitch 381=3.81
 No.of Pins 02-20P
 Color A=Green
 Contact Plated SM=Matte Tin
 Blank=W/T WCON
 N=W/O WCON

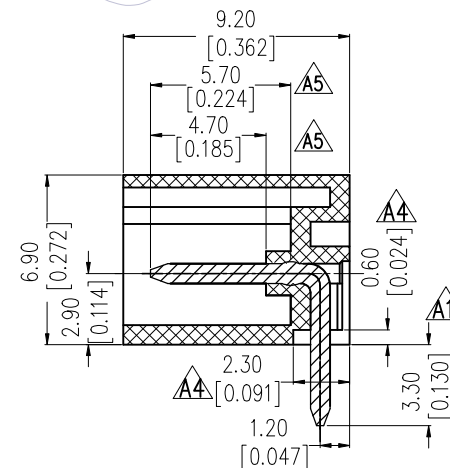
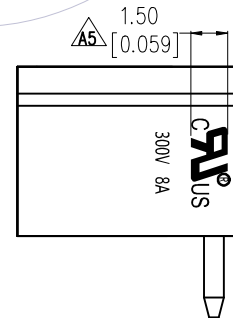
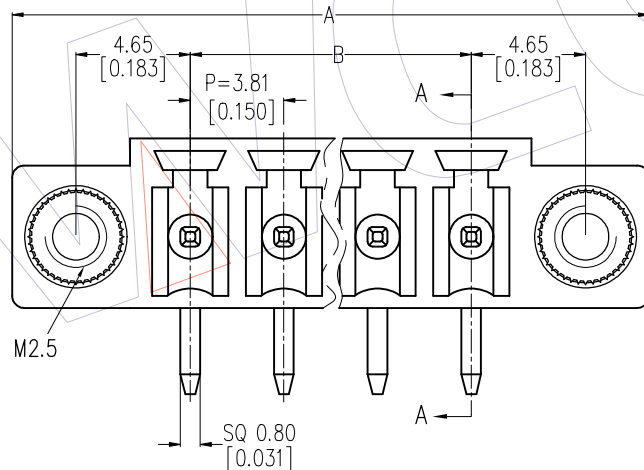
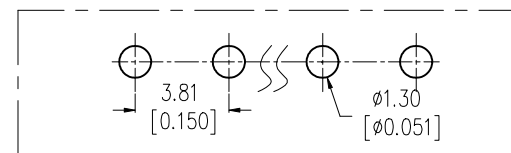
ITEM	Pitch	Mating
Standard	3.81	PF381
Alternate		

11P	51.90±0.30	38.10±0.30		
10P	48.09±0.30	34.29±0.30	20P	86.19±0.40 72.39±0.40
9P	44.28±0.30	30.48±0.30	19P	82.38±0.40 68.58±0.40
8P	40.47±0.30	26.67±0.30	18P	78.57±0.40 64.77±0.40
$\triangle A3$ 7P	36.66±0.20	22.86±0.20	17P	74.76±0.40 60.96±0.40
6P	32.85±0.20	19.05±0.20	16P	70.95±0.40 57.15±0.40
5P	29.04±0.20	15.24±0.20	15P	67.14±0.40 53.34±0.40
4P	25.23±0.20	11.43±0.20	14P	63.33±0.30 49.53±0.30
3P	21.42±0.20	7.62±0.20	13P	59.52±0.30 45.72±0.30
2P	17.61±0.20	3.81±0.10	12P	55.71±0.30 41.91±0.30
位数	A	B	位数	A B



$\triangle A5$
W/O WCON

Recommended P.C.B Layout(Top Side)
 (PCB BOARD TOLERANCE±0.05)



SECTION A-A

REV	DATE	MODIFICATION DESCRIPTION	CHANGE	OPERATION	DRAW	DATE	SCALE	FIT	PART NO.
A5	2020/11/12	Add UL Logo & DIM; Add W/O WCON SPEC&P/N	$\triangle A5$	XSR	XSR	2020/11/12	UNIT	mm	PM381-1RXXASM2(N) $\triangle A5$
A4	2018/03/12	Modify	$\triangle A4$	XSR	XSR		SIZE	A4	TITLE: 3.81mm Pitch Male Pluggable Terminal Blocks
A3	2014/04/15	Modify The Dimension	$\triangle A3$	XSR	CHECK		SHEET	1/1	Customer NO.
A0	2012/05/16	NEW		XSR	APPROVE		PROJ.		
				Angle					
				DIM					
				TOL					

WCON

Http: www.wcon.com

WCON-Dongguan
 Tel: +86 769 85358920
 Fax: +86 769 85358915
 E-mail: sales@wcon.com

WCON-Kunshan
 Tel: +86 512 57468408
 Fax: +86 512 57468468
 E-mail: salesk@wcon.com