

HSF

NOTES:

1. MATERIAL:
 - 1.1 HOUSING:PA66 (UL94V-0)
 - 1.2 COVER:PA66 (UL94V-0)
 - 1.3 TERMINAL:BRASS,MATTE TIN PLATED OVER NICKEL
2. ELECTRICAL:
 - 2.1 CURRENT RATING: 8 A
 - 2.2 VOLTAGE RATING: 300 V
 - 2.3 CONTACT RESISTANCE:8 mΩ MAX.
 - 2.4 DIELECTRIC WITHSTANDING VOLTAGE:2000V AC
 - 2.5 INSULATION RESISTANCE:1000 MΩ MIN
3. ENVIRONMENTAL:
 - 3.1 OPERATION TEMPERATURE:-40°C TO +105°C
4. No.OF POSITIONS:2~20
5. ALL MATERIALS SHOULD BE COMPLIANT TO ROHS

Ordering Information:

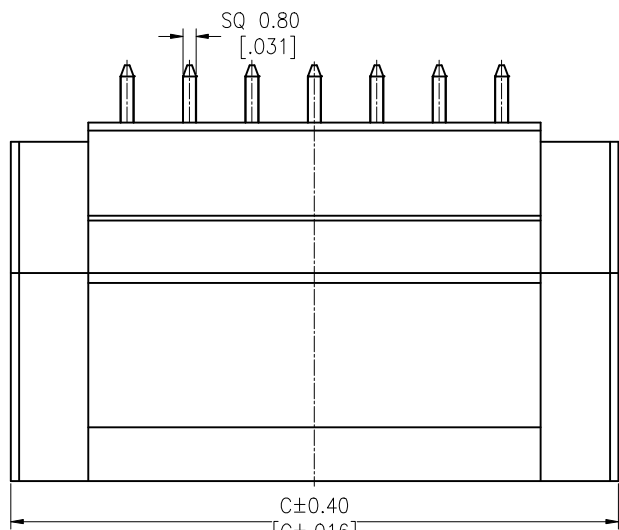
P M 381 - 3 S XX A SM 2 N

M=Male No.of Pins (Per Row) 02-20P Contact Plated SM=Matte Tin N=W/O WCON

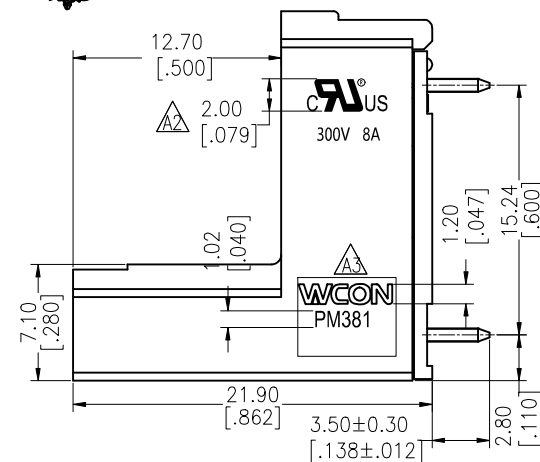
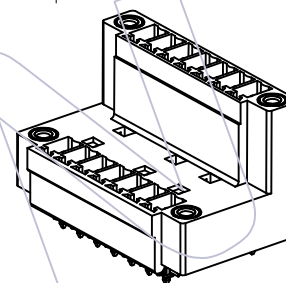
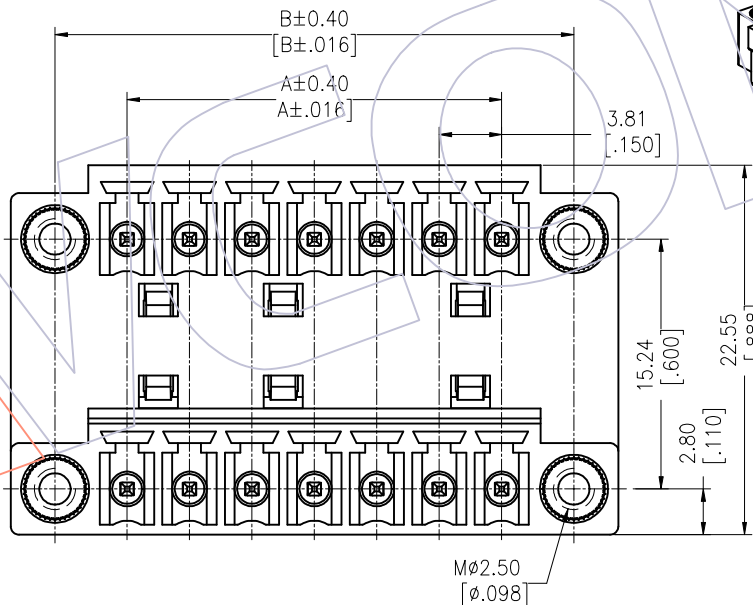
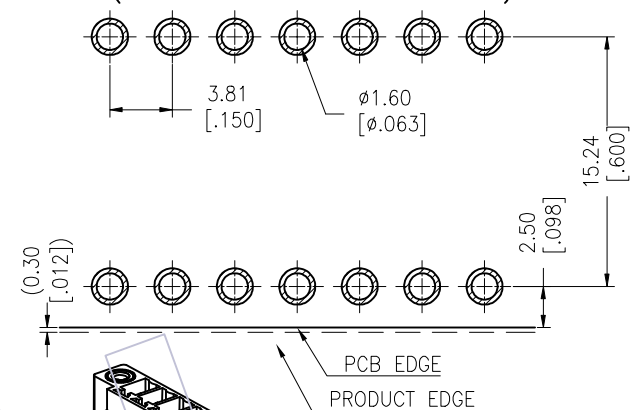
Pitch 381=3.81 Color A=Green Series No.

P/N	Spec.
PM381-3SXXXSM2	W/T WCON
PM381-3SXXXSM2N	W/O WCON

PIN	DIM.A	DIM.B	DIM.C	PIN	DIM.A	DIM.B	DIM.C
02	3.81	12.61	18.01	12	41.91	50.71	56.11
03	7.62	16.42	21.82	13	45.72	54.52	59.92
04	11.43	20.23	25.63	14	49.53	58.33	63.73
05	15.24	24.04	29.44	15	53.34	62.14	67.54
06	19.05	27.85	33.25	16	57.15	65.95	71.35
07	22.86	31.66	37.06	17	60.96	69.76	75.16
08	26.67	35.47	40.87	18	64.77	73.57	78.97
09	30.48	39.28	44.68	19	68.58	77.38	82.78
10	34.29	43.09	48.49	20	72.39	81.19	86.59
11	38.10	46.90	52.30				



Recommended P.C.B Layout(Top Side)
(PCB BOARD TOLERANCE±0.05)



REV	DATE	MODIFICATION DESCRIPTION	CHANGE	OPERATION	DRAW	DATE	SCALE	FIT	PART NO.
A3	2021/08/24	Change Material and ADD WCON LOGO	PAN	OPERATION	DRAW	2021/08/24	SCALE	FIT	PM381-3SXXXSM2N
A2	2020/11/19	ADD UL LOGO	XSR	x.X ±0.40	PAN		UNIT	mm	
A1	2013/06/05	Modify The Housing and Cover Material		x.XX ±0.25	CHECK		SIZE	inch	TITLE: 3.81mm Pitch Male Pluggable Terminal Blocks Double Stagger Tier With Flange
A0	2013/01/30	NEW		x.XXX ±0.15	APPROVE		SHEET	1/1	Customer NO.
				Angle ± 3°			PROJ.		
				DIM TOL					

WCON
Http: www.wcon.com

WCON-Dongguan WCON-Kunshan
Tel: +86 769 85358920 Tel: +86 512 57468408
Fax: +86 769 85358915 Fax: +86 512 57468468
E-mail: sales@wcon.com E-mail: salesks@wcon.com