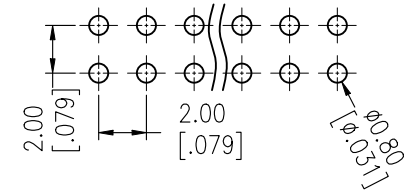
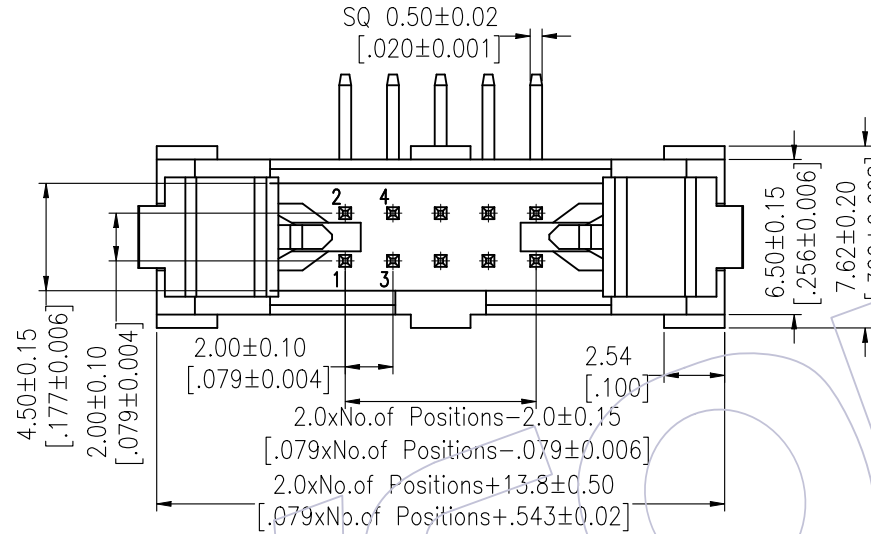


# HSF

Recommended P.C.B Layout(Top Side)  
(PCB BOARD TOLERANCE±0.05)

NOTES:  
Current Rating: 2.0AMP  
Contact Resistance: 20mΩ Max  
Withstand Voltage: 1000V AC/DC  
Insulation Resistance: 1000MΩ Min  
Operation Temperature: -40°C to +105°C

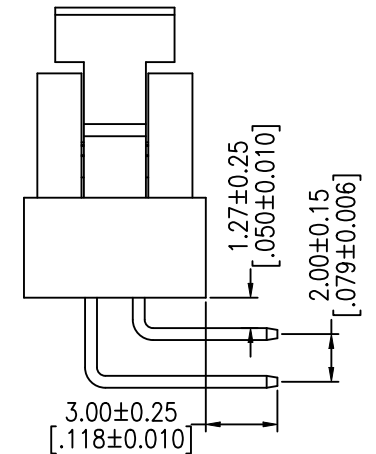
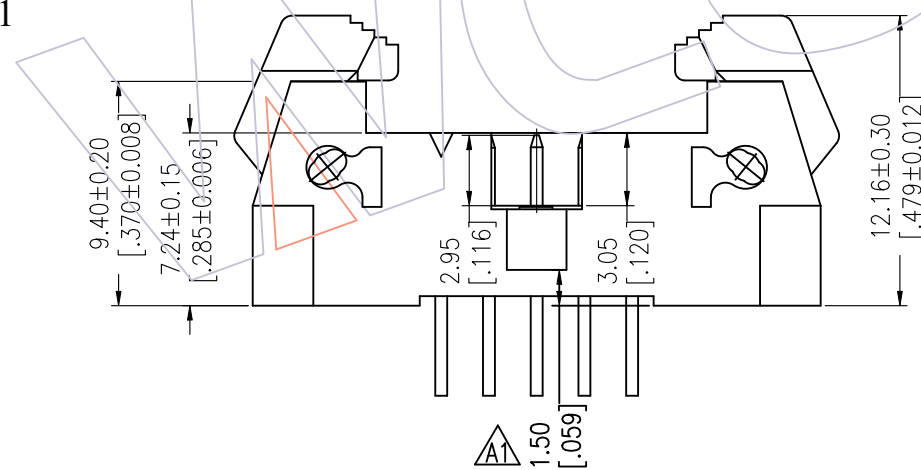
Contact Material:Brass  
Contact plating:Au Or Sn over Ni  
Insulator Material:LCP+30%G.F UL94V-0



## Ordering Information

3221- XX R XX B S X 1

No.of Pins	Contact Plating	Insulator Color	Packing
06 30	G0=Gold Flash	B=Black	T=Tube
08 34	G3=10u"Gold		
10 40	G4=15u"Gold		
14 44	G5=30u"Gold		
16 50	S0=Gold Flash/Tin		
20 60	S3=10u"Gold/Tin		
24 64	S4=15u"Gold/Tin		
26	S5=30u"Gold/Tin		
	SN=Tin		



Item	Pitch	Mating
Standard	2.00	5225
Alternate		

OPERATION	DRAW	DATE	SCALE	FIT	PART NO.
x.X ±0.40	DuYing	2020/05/14	UNIT	mm	3221-XXRXXBSX1
x.XX ±0.25	CHECK	DATE	SIZE	A4	TITLE: 2.0 Ejector Header"S" Type 90°
x.XXX ±0.15	APPROVE	DATE	SHEET	1/1	Customer NO.
Angle ± 3°			PROJ.		
DIM TOL					

# WCON

Http: www.wcon.com

WCON-Dongguan Tel: +86 769 85358920 Fax: +86 769 85358915 E-mail: sales@wcon.com  
WCON-Kunshan Tel: +86 512 57468408 Fax: +86 512 57468468 E-mail: salesks@wcon.com

REV	DATE	MODIFICATION DESCRIPTION	CHANGE
A1	2020/05/14	Modify Bump Add 1.50mm	DuYing
A0	2012/10/08	NEW	JYHuang