

# HSF

NOTES:  
 Current Rating:10A  
 Voltage Rating:300V  
 Contact Resistance:20milliohm Max  
 Withstand Voltage:AC2000V  
 Insulation Resistance:1000Megohm Min  
 Screw Torque: 4.4 lbf.in  
 Wire range: 12-30AWG  
 Operation Temperature:-40°C to +105°C

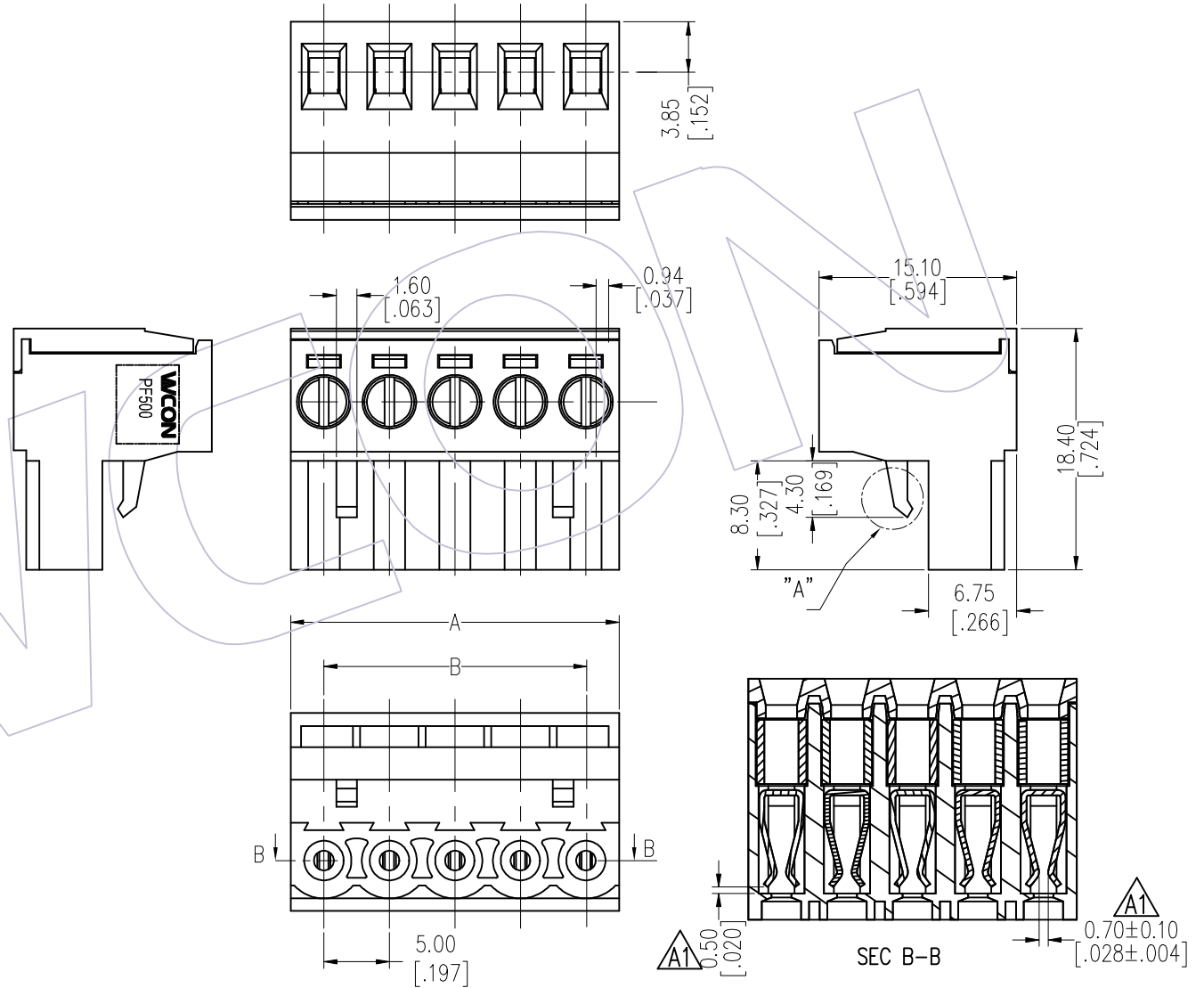
Housing Material:PA66 UL94V-0  
 Cover Material:PA66 UL94-V0  
 Screw:Steel  
 Pin Block:Brass  
 Contact:Phosphor Bronze

2P With 1 RAMP Locking "A"

### Ordering Information:

**P F 500 - C XX A SM N 1**  
 F=Female Pitch 500=5.00 No.of Pins 02-24P Color A=Green Contact Plated SM=Matte Tin Type N=Without Two Side Screw

13P	65.08 ±0.40	60.00 ±0.35			
12P	60.08 ±0.40	55.00 ±0.35	24P	120.08 ±0.40	115.00 ±0.40
11P	55.08 ±0.40	50.00 ±0.35	23P	115.08 ±0.40	110.00 ±0.40
10P	50.08 ±0.35	45.00 ±0.30	22P	110.08 ±0.40	105.00 ±0.40
9P	45.08 ±0.35	40.00 ±0.30	21P	105.08 ±0.40	100.00 ±0.40
8P	40.08 ±0.35	35.00 ±0.30	20P	100.08 ±0.40	95.00 ±0.35
7P	35.08 ±0.35	30.00 ±0.30	19P	95.08 ±0.40	90.00 ±0.35
6P	30.08 ±0.35	25.00 ±0.30	18P	90.08 ±0.40	85.00 ±0.35
5P	25.08 ±0.35	20.00 ±0.30	17P	85.08 ±0.40	80.00 ±0.35
4P	20.08 ±0.35	15.00 ±0.30	16P	80.08 ±0.40	75.00 ±0.35
3P	15.08 ±0.35	10.00 ±0.30	15P	75.08 ±0.40	70.00 ±0.35
2P	10.08 ±0.35	5.00 ±0.30	14P	70.08 ±0.40	65.00 ±0.35
PIN	A	B	PIN	A	B



REV	DATE	MODIFICATION DESCRIPTION	CHANGE	OPERATION	DRAW	DATE	SCALE	FIT	PART NO.
				X.X	±0.40	2019/05/19	UNIT	mm	PF500-CXXASM1
				X.XX	±0.25	DATE	inch	TITLE:	
A1	2019/05/19	Add Explosion view & Material List	---	X.XXX	±0.15	DATE	SIZE	A4	5.00mm Pitch Female Pluggable Terminal Blocks
AO	2019/03/19	NEW	---	Angle	± 3°	DATE	SHEET	1/2	
				DIM	TOL	DATE	PROJ.	Customer NO.	

## WCON

Http: www.wcon.com

WCON-Dongguan Tel: +86 769 85358920  
 WCON-Kunshan Tel: +86 512 57468408  
 Fax: +86 769 85358915 Fax: +86 512 57468468  
 E-mail: sales@wcon.com E-mail: salesks@wcon.com