

HSF

NOTES:

Current Rating:10A
 Voltage Rating:300V
 Contact Resistance:20milliohm Max
 Withstand Voltage:AC2000V
 Insulation Resistance:1000Megohm Min
 Operation Temperature:-40°C to +105°C

Housing Material:PA66+30%GF(UL94V-0)
 Contact Material:Brass
 Inlay Material:Brass

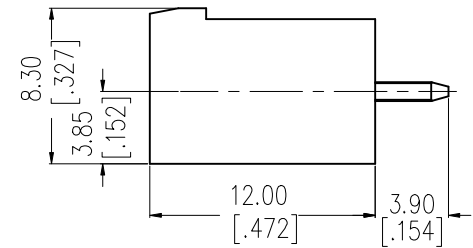
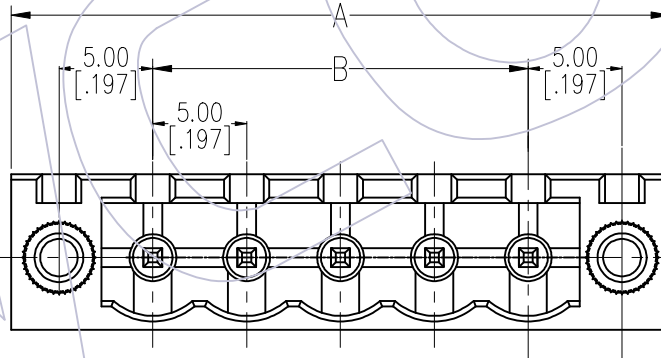
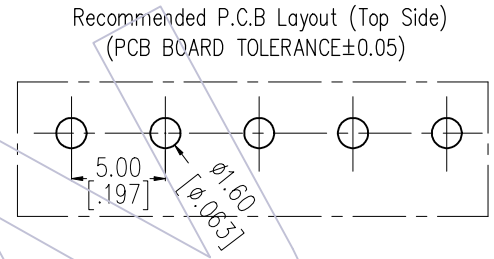
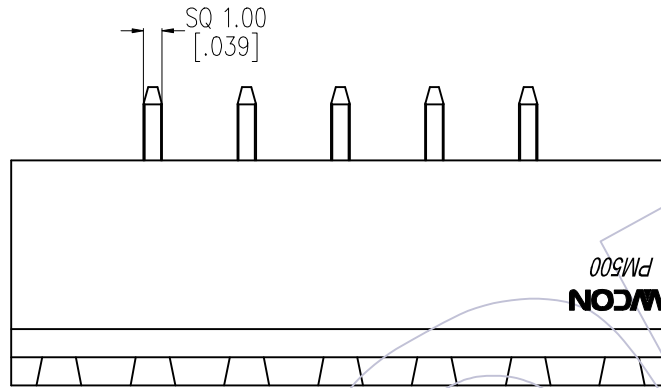
Ordering Information:


P M 500 - 1 S XX A SM 2

M=Male Pitch 500=5.00
 No. of Pins 02-24P Color A=Green Contact Plated SM=Matte Tin Series No.

13P	75.08 ±0.40	60.00 ±0.35			
12P	70.08 ±0.40	55.00 ±0.35	24P	130.08 ±0.40	115.00 ±0.40
11P	65.08 ±0.40	50.00 ±0.35	23P	125.08 ±0.40	110.00 ±0.40
10P	60.08 ±0.35	45.00 ±0.30	22P	120.08 ±0.40	105.00 ±0.40
9P	55.08 ±0.35	40.00 ±0.30	21P	115.08 ±0.40	100.00 ±0.40
8P	50.08 ±0.35	35.00 ±0.30	20P	110.08 ±0.40	95.00 ±0.35
7P	45.08 ±0.35	30.00 ±0.30	19P	105.08 ±0.40	90.00 ±0.35
6P	40.08 ±0.35	25.00 ±0.30	18P	100.08 ±0.40	85.00 ±0.35
5P	35.08 ±0.35	20.00 ±0.30	17P	95.08 ±0.40	80.00 ±0.35
4P	30.08 ±0.35	15.00 ±0.30	16P	90.08 ±0.40	75.00 ±0.35
3P	25.08 ±0.35	10.00 ±0.30	15P	85.08 ±0.40	70.00 ±0.35
2P	20.08 ±0.35	5.00 ±0.30	14P	80.08 ±0.40	65.00 ±0.35
PIN	A	B	PIN	A	B

ITEM	Pitch	Mating
Standard	5.00	PF500
Alternate		



AO	2019/07/20	NEW	CHANGE	OPERATION		DRAW	DATE	SCALE	FIT	PART NO.	PM500-1SXXASM2	 Http: www.wcon.com
				x.X	±0.40							
REV	DATE	MODIFICATION DESCRIPTION	CHANGE	CHECK		APPROVE	DATE	SHEET	SIZE	TITLE:	5.00mm Pitch Male Pluggable Terminal Blocks	WCON-Dongguan Tel: +86 769 85358920 Fax: +86 769 85358915 E-mail: sales@wcon.com
				x.XX	±0.25							
				Angle ± 3°		DATE	PROJ.	1/1	Customer NO.			
				DIM TOL								