

# HSF

**NOTES:**

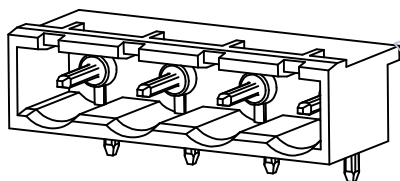
Rated Current:15 AMP  
 Contact Resistance:8.0 milliohm Max  
 Withstand Voltage:2000 V AC/DC  
 Insulation Resistance:1000 Megohm min  
 Operation Temperature:-40°C to +105°C

Housing Material:PA66+30%GF(UL94V-0)  
 Contact Material:Brass  
 Terminal Plating:  
 Matte Tin Plated Over Nickel

**Ordering Information:**

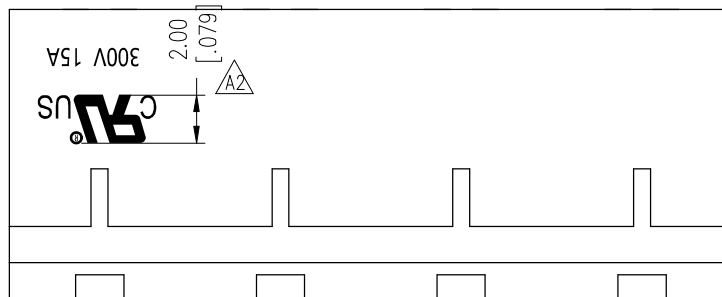
**P M 750- 1 R XX A SM 1 N**

M=Male Pitch 750=7.50 No.of Pins 02-20P Contact Plated SM=Matte Tin Blank=W/T WCON N=W/O WCON  
 Color A=Green Series No.

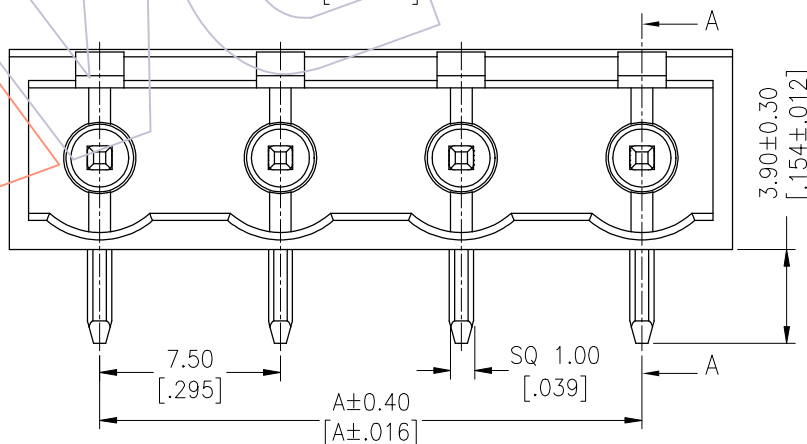
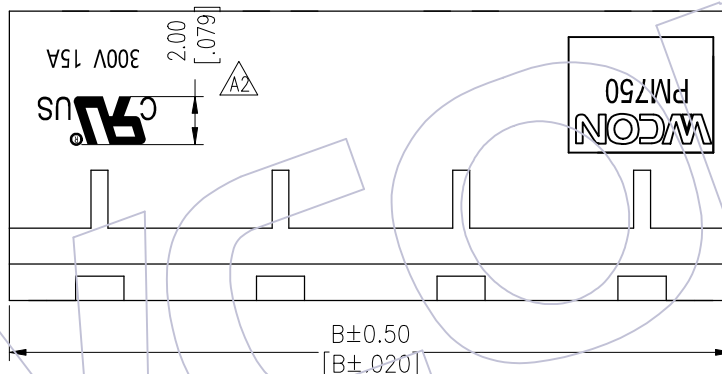


PIN	DIM.A	DIM.B	PIN	DIM.A	DIM.B
02	7.50	15.00	12	82.50	90.00
03	15.00	22.50	13	90.00	97.50
04	22.50	30.00	14	97.50	105.00
05	30.00	37.50	15	105.00	112.50
06	37.50	45.00	16	112.50	120.00
07	45.00	52.50	17	120.00	127.50
08	52.50	60.00	18	127.50	135.00
09	60.00	67.50	19	135.00	142.50
10	67.50	75.00	20	142.50	150.00
11	75.00	82.50			

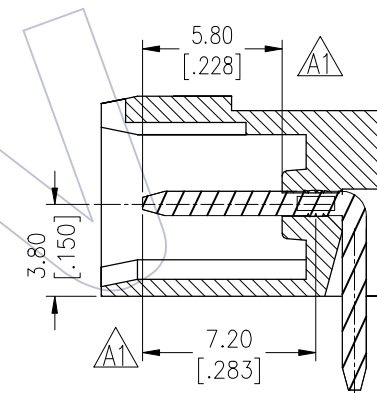
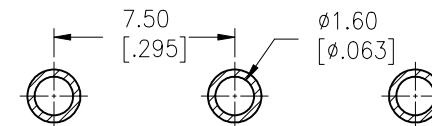
W/O WCON



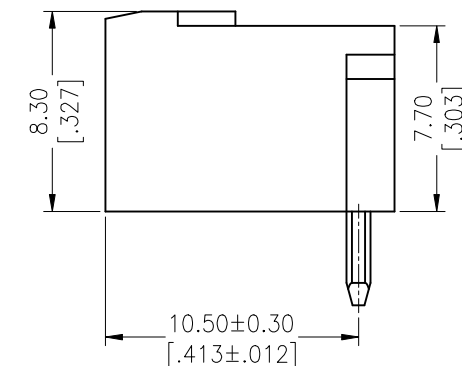
W/T WCON



Recommended P.C.B Layout(Top Side)  
 (PCB BOARD TOLERANCE±0.05)



SECTION A-A



REV	DATE	MODIFICATION DESCRIPTION	CHANGE	OPERATION		DRAW	DATE	SCALE	FIT	PART NO.
				x.x	±0.40					
A2	2021/02/23	ADD UL Logo;ADD W/O WCON SPEC&P/N	A2	XSR	x.x	±0.40	2021/02/23	UNIT	mm	PM750-1RXXASM1(N) A2
A1	2020/10/31	ADD DIM.	A1	XSR	x.xx	±0.25	DATE	SIZE	A4	
A0	2013/11/06	NEW			x.xxx	±0.15	DATE	SHEET	1/1	Customer NO.
					Angle	± 3'		PROJ.		
					DIM	TOL				

**WCON**  
 Http: www.wcon.com

WCON-Dongguan Tel: +86 769 85358920 Fax: +86 769 85358915 E-mail: sales@wcon.com  
 WCON-Kunshan Tel: +86 512 57468408 Fax: +86 512 57468468 E-mail: sales@wcon.com