

HSF

NOTES:

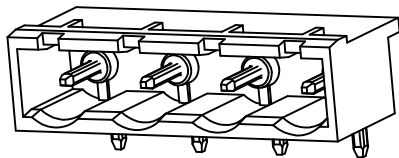
Rated Current: 15.0 AMP
 Contact Resistance: 8.0 milliohm Max
 Withstand Voltage: 2000 V AC/DC
 Insulation Resistance: 1000 Megohm min
 Operation Temperature: -40°C to +105°C

Housing Material: PA66(UL94V-0) $\Delta 3$
 Contact Material: Brass
 Terminal Plating:
 Matte Tin Plated Over Nickel

Ordering Information:

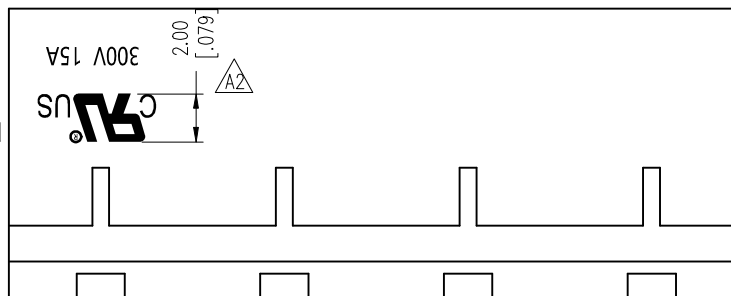
P M 762- 1 R XX A SM 1 N

M=Male Pitch 762=7.62 No. of Pins 02-20P Contact Plated SM=Matte Tin Series No. 1 N
 Color A=Green Blank=W/T WCON N=W/O WCON

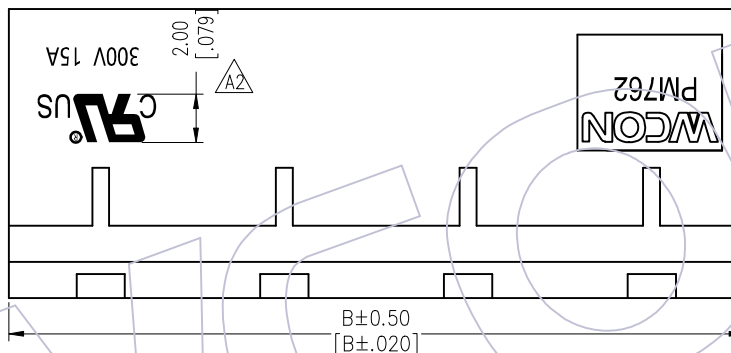


PIN	DIM.A	DIM.B	PIN	DIM.A	DIM.B
02	7.62	15.24	12	83.82	91.44
03	15.24	22.86	13	91.44	99.06
04	22.86	30.48	14	99.06	106.68
05	30.48	38.10	15	106.68	114.30
06	38.10	45.72	16	114.30	121.92
07	45.72	53.34	17	121.92	129.54
08	53.34	60.96	18	129.54	137.16
09	60.96	68.58	19	137.16	144.78
10	68.58	76.20	20	144.78	152.40
11	76.20	83.82			

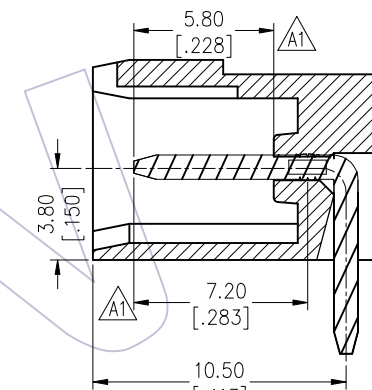
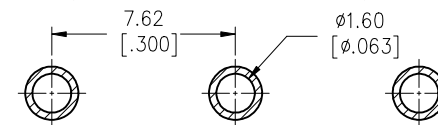
$\Delta 2$
W/O WCON



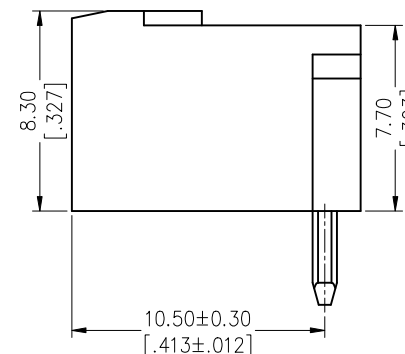
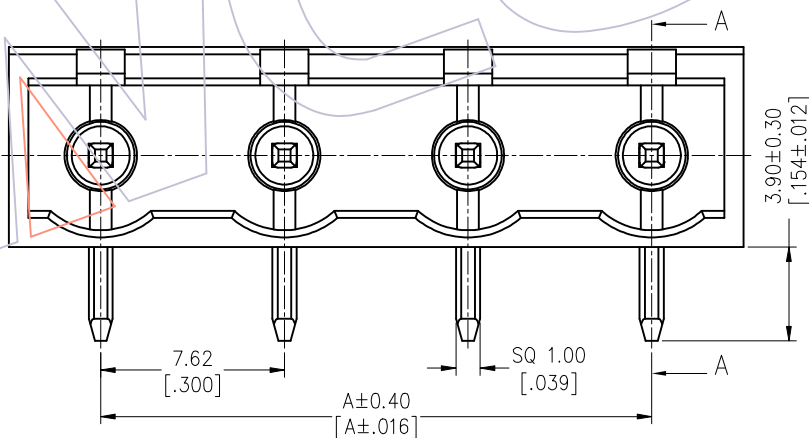
$\Delta 2$
W/T WCON



Recommended P.C.B Layout(Top Side)
 (PCB BOARD TOLERANCE±0.05)



SECTION A-A



REV	DATE	MODIFICATION DESCRIPTION	CHANGE	OPERATION	DRAW	DATE	SCALE	FIT	PART NO.
A3	2021/08/24	Material Change	GH	OPERATION	DRAW	2021/08/24	SCALE	FIT	PM762-1RXXASM1(N) $\Delta 2$
A2	2021/02/23	ADD UL Logo; ADD W/O WCON SPEC&P/N $\Delta 2$	XSR	x.x ±0.40	CHECK	DATE	UNIT	mm	TITLE: 7.62mm Pitch Male Pluggable Terminal Blocks
A1	2020/10/31	ADD DIM. $\Delta 1$	XSR	x.xx ±0.25	APPROVE	DATE	SIZE	inch	
A0	2013/10/24	NEW		x.xxx ±0.15			SHEET	1/1	Customer NO.
				Angle ± 3°			PROJ.		
				DIM TOL					

WCON

Http: www.wcon.com

WCON-Dongguan Tel: +86 769 85358920 Fax: +86 769 85358915 E-mail: sales@wcon.com
 WCON-Kunshan Tel: +86 512 57468408 Fax: +86 512 57468468 E-mail: salesks@wcon.com