

# HSF

**NOTES:**

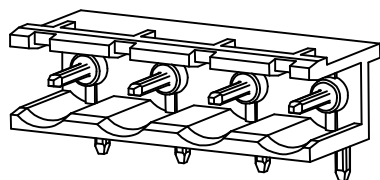
Rated Current: 15.0 AMP  
 Contact Resistance: 8.0 milliohm Max  
 Withstand Voltage: 2000 V AC/DC  
 Insulation Resistance: 1000 Megohm min  
 Operation Temperature: -40°C to +105°C

Housing Material: PA66(UL94V-0)  $\triangle A_3$   
 Contact Material: Brass  
 Terminal Plating:  
 Matte Tin Plated Over Nickel

**Ordering Information:**

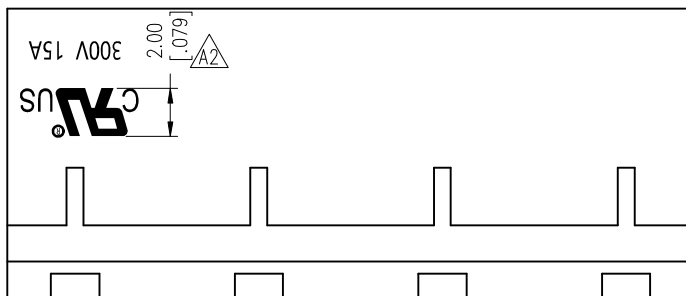
**P M 762- 1 R XX A SM 3 N**

M=Male Pitch 762=7.62 No.of Pins 02-20P Contact Plated SM=Matte Tin Series No. 3 Color A=Green Blank=W/T WCON N=W/O WCON

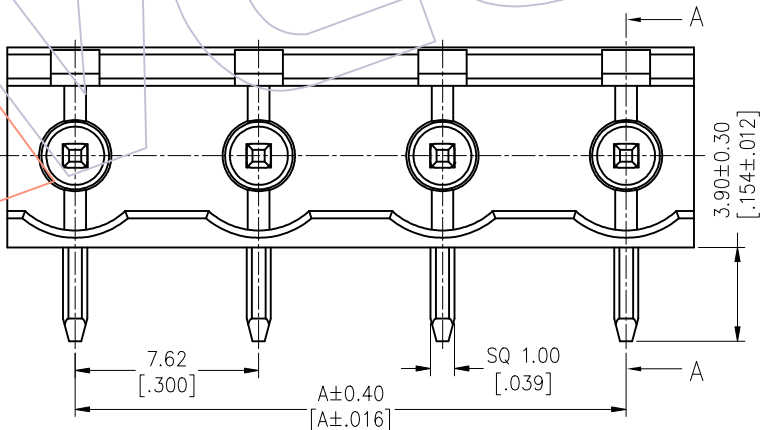
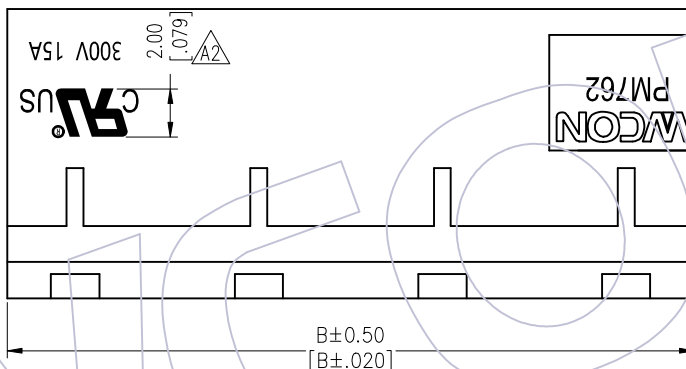


PIN	DIM.A	DIM.B	PIN	DIM.A	DIM.B
02	7.62	13.24	12	83.82	89.44
03	15.24	20.86	13	91.44	97.06
04	22.86	28.48	14	99.06	104.68
05	30.48	36.10	15	106.68	112.30
06	38.10	43.72	16	114.30	119.92
07	45.72	51.34	17	121.92	127.54
08	53.34	58.96	18	129.54	135.16
09	60.96	66.58	19	137.16	142.78
10	68.58	74.20	20	144.78	150.40
11	76.20	81.82			

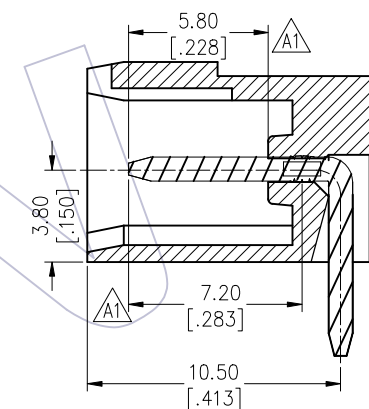
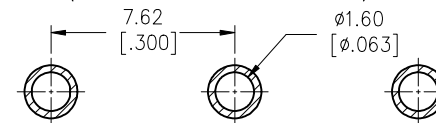
$\triangle A_2$   
W/O WCON



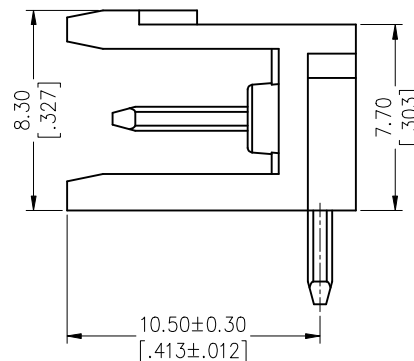
$\triangle A_2$   
W/T WCON



Recommended P.C.B Layout(Top Side)  
 (PCB BOARD TOLERANCE±0.05)



SECTION A-A



REV	DATE	MODIFICATION DESCRIPTION	CHANGE	OPERATION	DRAW	DATE	SCALE	FIT	PART NO.
A3	2021/08/24	Material Change	GH	OPERATION	GH	2021/08/24	SCALE	FIT	PM762-1RXXASM3(N) $\triangle A_2$
A2	2021/02/23	ADD UL Logo; ADD W/O WCON SPEC&P/N	XSR	x.x ±0.40	CHECK	DATE	UNIT	mm	TITLE: 7.62mm Pitch Male Pluggable Terminal Blocks
A1	2020/10/31	ADD DIM. $\triangle A_1$	XSR	x.xx ±0.25	APPROVE	DATE	SIZE	A4	
A0	2013/10/24	NEW		x.xxx ±0.15			SHEET	1/1	Customer NO.
				Angle ± 3°			PROJ.		
				DIM TOL					

**WCON**  
 Http: www.wcon.com

WCON-Dongguan Tel: +86 769 85358920  
 WCON-Kunshan Tel: +86 512 57468408  
 Fax: +86 769 85358915 Fax: +86 512 57468468  
 E-mail: sales@wcon.com E-mail: salesks@wcon.com