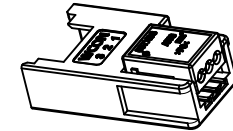
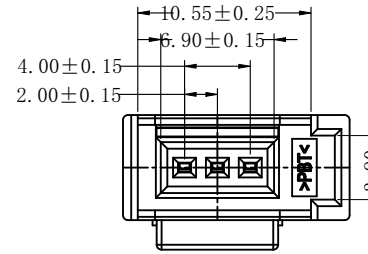


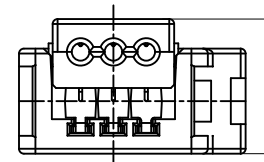
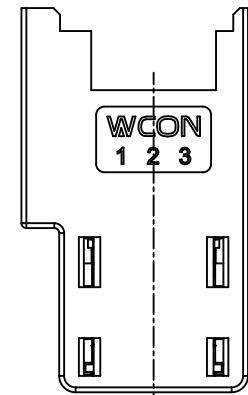
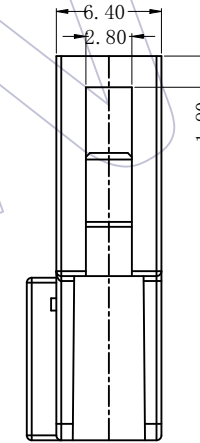
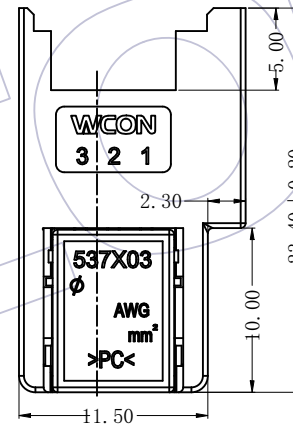
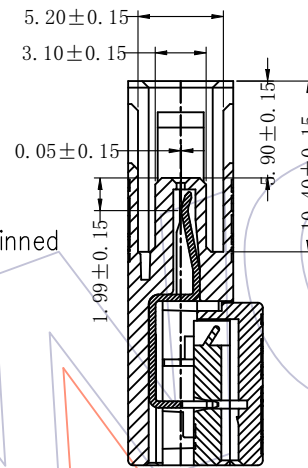
# HSF

Current Rating: 3.0A  
 Voltage Rating: 32V  
 Insulation Resistance: 1000MΩ min 500V DC  
 Withstanding Voltage: 1000V  
 Operation Temperature: -20°C to +85°C  
 Insulation  
 Material: Glass Reinforced Thermoplastic Body&Lower Cover, Transparent Thermoplastic Cover  
 Flammability: UL94V-0  
 Color: Black Body, Cover-White&Color(see Table 1)  
 Contact  
 Material: Copper Alloy  
 Plating  
 Underplating: 50-100u" Nickel  
 Wiping Area: Gold with Lubricant  
 IDC: 80-300u" Matte Tin  
 Wire Accomodation: Copper Alloy, 7-19 Bare and Tinned Strands, 0.14-0.50mm<sup>2</sup>, 20-26AWG  
 Wire Insulation: Flexible Vinyl, Semi-Flexible Vinyl, Polyethylene, or PTFE For approved cables

Wire OD	1.6~2.0	1.2~1.6	1.0~1.2	0.80~1.0
Wire Size	20-22AWG	20-22AWG	20-22AWG	
Cover Color	Gray	Blue	Green	
Wire Size		24-26AWG	24-26AWG	24-26AWG
Cover Color		Orange	Yellow	Red



scale:0.5:1



## Ordering Information

5373 - 1 03 SX XXX X X XX X

SINGLE ROW

Pin  
03=3P

LOCK

N=W/O LOCK  
W=W/T LOCK

Packing

T=Tube  
R=Tape&Reel  
A=Tray  
O=PE Bag

LOGO

NA  
W=With WCON LOGO  
M=Customer'S LOGO

Series No.  
01-99

Terminal Plating  
S0=Gold Flash/Tin  
S1=3u"Gold/Tin  
S2=5u"Gold/Tin  
S3=10u"Gold/Tin  
S4=15u"Gold/Tin  
S5=30u"Gold/Tin

Cover Color  
U12=Blue  
G16=Gray  
E10=Green  
O12=Orange  
R08=Red  
Y10=Yellow

REV	DATE	MODIFICATION DESCRIPTION	CHANGE	OPERATION	DRAW	DATE	SCALE	FIT	PART NO.
A0	2020/12/01	NEW	Kair	X.X ±0.40	Kair	2020/12/01	UNIT	mm	5373-103SXXXXX01X
				X.XX ±0.25	CHECK	DATE	inch	TITLE:	
				X.XXX ±0.15	APPROVE	DATE	SIZE	A4	2.0mm Mini Clamp Socket 3p No latch
				Angle ± 3°			SHEET	1/2	Customer NO.
				DIM TOL			PROJ.		

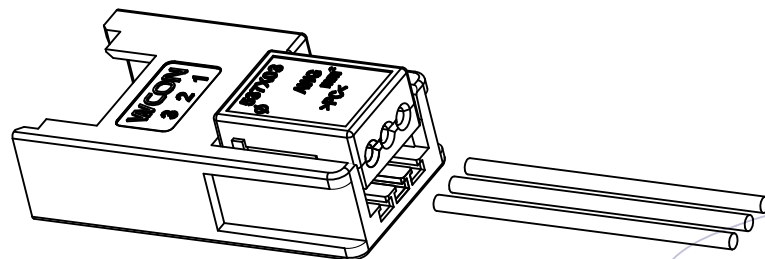
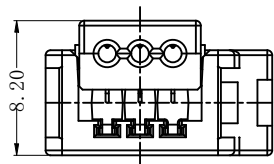
# WCON

Http: www.wcon.com

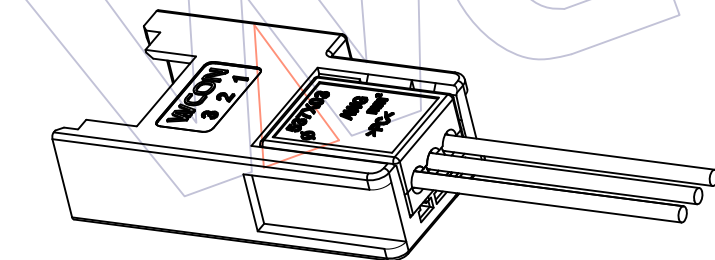
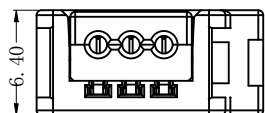
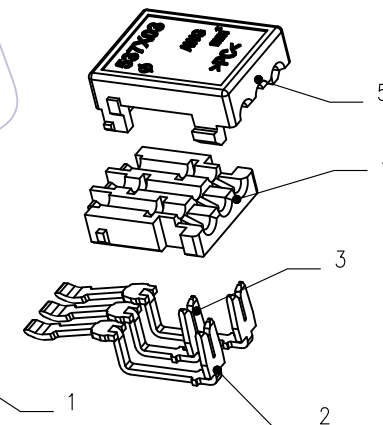
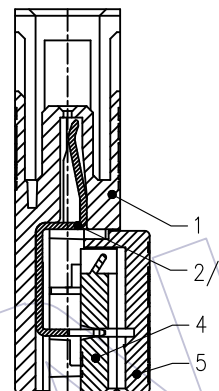
WCON-Dongguan  
Tel: +86 769 85358920  
Fax: +86 769 85358915  
E-mail: sales@wcon.com

WCON-Kunshan  
Tel: +86 512 57468408  
Fax: +86 512 57468468  
E-mail: salesks@wcon.com

# HSF



Before Termination



After Termination

5	TOP Cover	G5371-103TXN0X	PC	1
4	Bottom Cover	G5371-103BWN0X	PA66	1
3	Short Contact	T5373-PXXSXX	C5191R-H	1
2	Long Contact	T5373-PXXLXX	C5191R-H	2
1	Housing	G5373-103ABN01X	PBT	1
No.	Part Name	Part No.	Material	Q'TY

				OPERATION	DRAW	DATE	SCALE	FIT	PART NO.
				X.X ±0.40	Kair	2020/12/01	UNIT	mm	5373-103SXXXXXN01X
				X.XX ±0.25	CHECK	DATE	inch	A4	
				X.XXX ±0.15			SIZE	2/2	TITLE:
A0	2020/12/01	NEW	Kair	Angle ± 3°	APPROVE	DATE	SHEET		2.0mm Mini Clamp Socket 3p
REV	DATE	MODIFICATION DESCRIPTION	CHANGE	DIM TOL			PROJ.		No latch
									Customer NO.

## WCON

Http: [www.wcon.com](http://www.wcon.com)

WCON-Dongguan	WCON-Kunshan
Tel: +86 769 85358920	Tel: +86 512 57468408
Fax: +86 769 85358915	Fax: +86 512 57468468
E-mail: <a href="mailto:sales@wcon.com">sales@wcon.com</a>	E-mail: <a href="mailto:salesks@wcon.com">salesks@wcon.com</a>