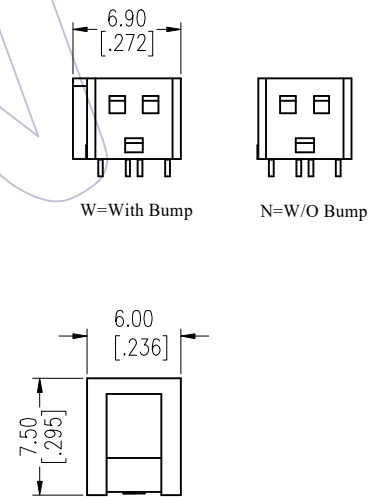
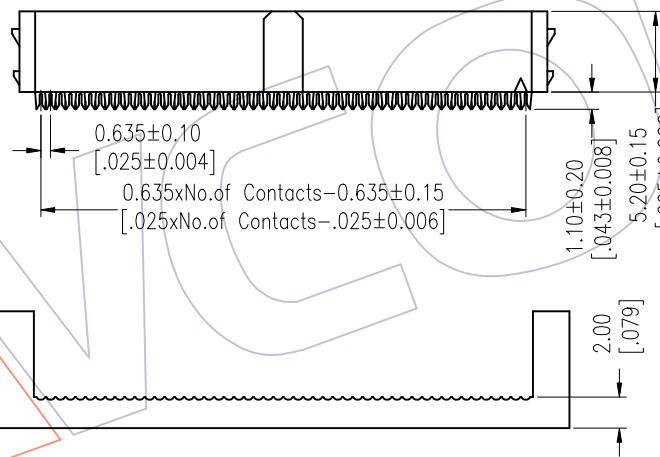
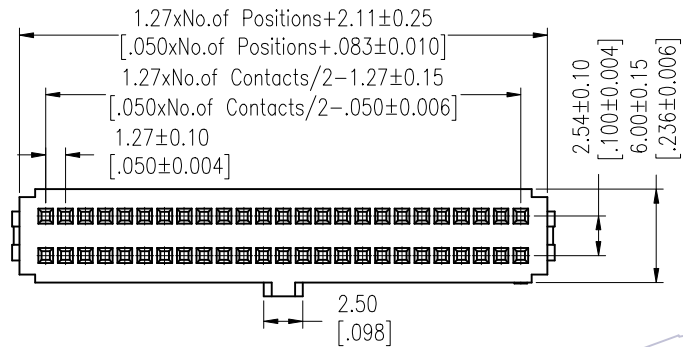


# HSF

**NOTES:**

Rated Current:1.0AMP  
 Contact Resistance:20mΩ max  
 Withstand Voltage:500V AC/DC  
 Insulation Resistance:1000MΩ min  
 Operation Temperature:-40℃ to +105℃

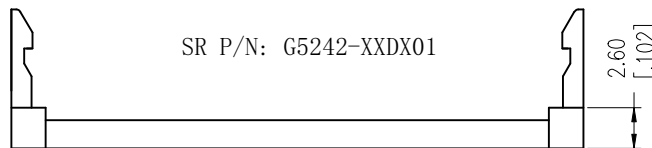
Contact Material:Phosphor Bronze  
 Contact plating:Au Or Sn over Ni  
 Insulator Material:PBT+30%G.F UL94V-0



## Ordering Information

5242-XX Y P XX X X 0 1

Two Parts Conn+Cover	No.of Pins	Contact Plating	Color Insulator	Bump
10 34	S0=Gold Flash/Ni	B=Black	N=W/O Bump	
14 40	S3=10u"Gold/Ni	G=Grey(427C)	W=With Bump	
16 50	S4=15u"Gold/Ni			
20 60	S5=30u"Gold/Ni			
24 70	SN=Tin			
26 80				
30 100				



Item	Pitch	Mating
Standard	1.27X2.54	3140/3141/3240
Alternate		

REV	DATE	MODIFICATION DESCRIPTION	CHANGE	OPERATION		DRAW JYHuang	DATE 2012/10/10	SCALE UNIT	FIT mm	PART NO. 5242-XXYPXXX01
				x.x	±0.40					
A0	2012/10/10	NEW	-----	x.xx	±0.25	CHECK	DATE	SIZE	A4	TITLE: 1.27*2.54 IDC SOCKET+SR
				x.xxx	±0.15	APPROVE	DATE	SHEET	1/1	Customer NO.
				Angle	± 3'			PROJ.		
				DIM	TOL					

**WCON**  
 Http: www.wcon.com

WCON-Dongguan  
 Tel: +86 769 85358920  
 Fax: +86 769 85358915  
 E-mail: sales@wcon.com

WCON-Kunshan  
 Tel: +86 512 57468408  
 Fax: +86 512 57468468  
 E-mail: salesks@wcon.com