

# HSF

**NOTES:**

- 1.Current Rating:2.1A Max/Per Pin(2 pins powered in the same row) ;
- 2.Volatget Rating:100V AC ;
- 3.Contact Resistance: 30mΩ Max;
- 4.Withstand Voltage: 900V AC;
- 5.Insulation Resistance: 20000MΩ Min;
- 6.Operating Temperature: -55°C to +125°C;
- 7.Insulator Material: LCP,G.F,UL94V-0,BK;
- 8.Contact Material: Copper Alloy;
- 9.Contact plating:  
 $xx\mu$  Gold on contact area (See ordering information),  
 $50\mu$  Nickel underplating overall;  
Tail Area: 100u" Matte Tin ;
- 10.Recommended Process:  
Reflow Soldering,Peak temperature: 260±5°C

## Ordering Information

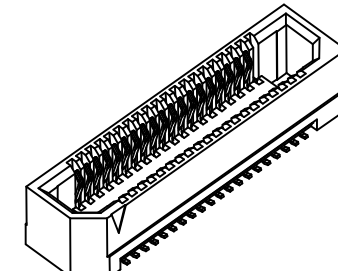
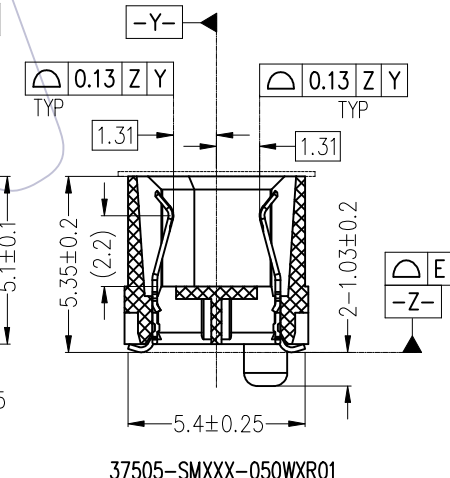
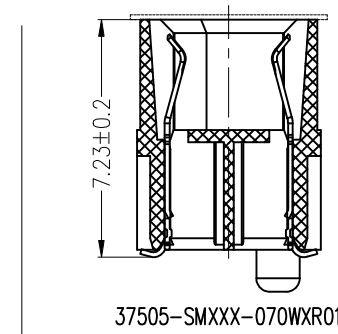
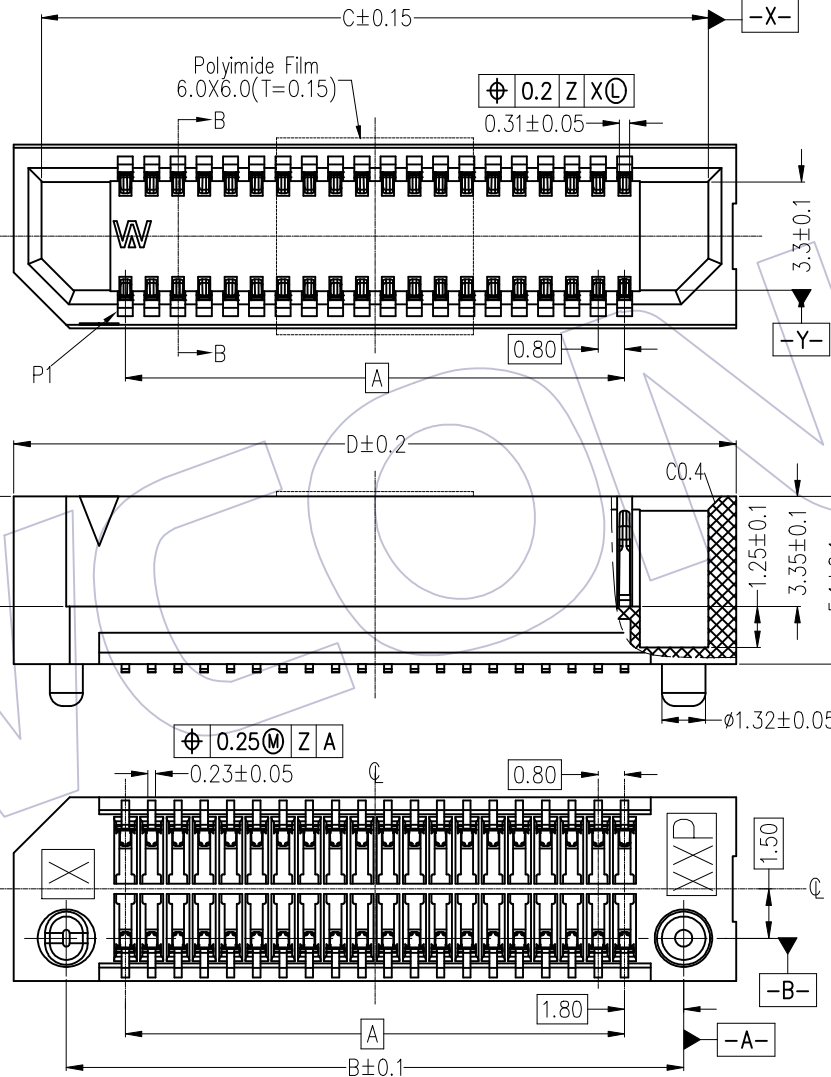
37505 - S M XXX - XXX XX R 01

- S=Socket  
M=180° SMT  
No.of Pins:  
010=10P; 020=20P;  
022=22P; 026=26P;  
040=40P; 046=46P;  
050=50P; 060=60P;  
070=70P; 080=80P;  
098=98P; 100=100P;  
120=120P; 140=140P;  
150=150P;  
200=200P(SEE TABLE 1);

- High Type:  
050=5.0mm; 070=7.0mm;  
090=9.0mm; 100=10.0mm;

- Contact plating:  
W3=10u"Gold/Matte Sn  
W5=30u"Gold/Matte Sn

- Packing:R=Tape & Reel  
WCON internal code



		OPERATION		DRAW		DATE		SCALE		FIT		PART NO.	
		x.x	±0.40	houfu peng	2022.09.05	UNIT	mm	37505-SMXXX-XXXWXR01		TITLE: 0.8mm B TO B High Speed Connector Socket 180° SMT TYPE			
A1	2022.12.15	x.xx	±0.25	CHECK	DATE	SIZE	A4						
A0	2022.09.05	x.xxx	±0.15	APPROVE	DATE	SHEET	1/4						
REV	DATE	MODIFICATION DESCRIPTION	CHANGE	Angle	± 3°	PROJ.	Customer NO.						
				DIM	TOL								

**WCON**  
Http: www.wcon.com

WCON-Dongguan Tel: +86 769 85358920 Fax: +86 769 85358915 E-mail: sales@wcon.com	WCON-Kunshan Tel: +86 512 57468408 Fax: +86 512 57468468 E-mail: salesks@wcon.com
---	--