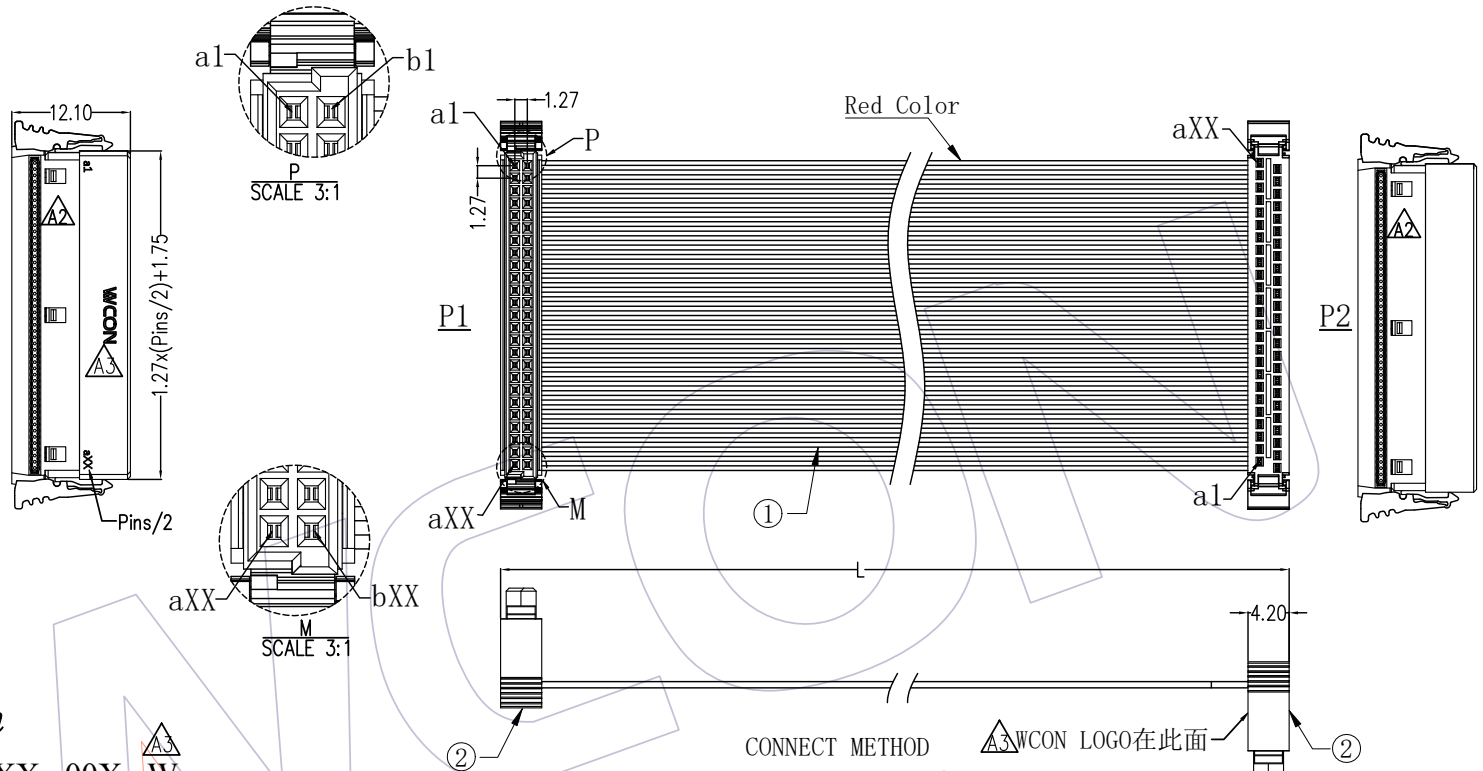


IDC HOUSING MATERIAL
 Insulation Material: HIGH TEMPERATURE
 THERMOPLASTIC(UL94V-0)
 Contact Material: COPPER ALLOY
 Contact plating: Au or Sn Over Ni
 SPECIFICATIONS
 Insulation Resistance: 5MΩ Min
 Contact Resistance: 1.0Ω Max, 10S
 Withstand Voltage: AC 300V
 The Cable Assembly Must 100% Test
 CABLE MATERIAL
 Conductor: 30AWG(7/0.1mm)



Ordering Information

F3911B - XX XX B B XXX 00X W

No. OF Pins: 12p, 40p, 16p, 50p, 20p, 68p, 26p, 80p, 32p
 Contact Plating: S3=Sel.10U" Gold /Tin, S4=Sel.15U" Gold /Tin, S5=Sel.30U" Gold /Tin
 Conn. Color: B=Black
 Length of Line: XXX
 Blank=W/O WCON, W=W/T WCON

CONNECT METHOD
 P1 Red P2
 b1 ——— aXX
 a1 ——— bXX
 b2 ——— aXX
 a2 ——— bXX
 bXX ——— a1
 aXX ——— b1

WCON LOGO在此面

L	TOLERANCE
≤300	±5
>300	±10

WIRE TYPE	PRAT NO.
F1U-A30GXXD0-XXXX-1	F3911B-XXXXBBXXX001(W)
F1U-A30XXD0-XXXX-1T	F3911B-XXXXBBXXX002(W)

NO.	PART NO.	NAME	TITLE	Q'TY	UNIT
②	3911-0XXUXXW1	CONN.	1.27Pitch SDC IDC XXP HIGH TEMPERATURE THERMOPLASTIC BLACK	2	PCS
①	F1U-A30GXXD0-XXXX-1	WIRE	UL2678 PH0.635mm XXP 30AWG(7/0.1), PVC Grey Red Side	XXX	MM
①	F1U-A30XXD0-XXXX-1T	WIRE	PH0.635mm XXP 30AWG(7/0.1), TPE Grey, Red Side	XXX	MM

REV	DATE	MODIFICATION DESCRIPTION	CHANGE	XSR	OPERATION	DRAW XSR	DATE	SCALE	FIT	PART NO.
A4	2020/12/10	Correct CONNECT METHOD		XSR	OPERATION	XSR	2020/12/10	SCALE	FIT	F3911B-XXXXBBXXX00X(W)
A3	2020/11/12	Add W/T WCON LOGO SPEC&P/N		XSR	x.X ±0.40	CHECK	DATE	UNIT	mm	TITLE:
A2	2020/09/09	MODIFY		XSR	x.XX ±0.25			SIZE	A4	1.27mm SDC IDC/1.27mm SDC IDC
A0	2018/10/10	NEW		Ding	x.XXX ±0.15	APPROVE	DATE	SHEET	1/1	Reverse Derection
					Angle ± 3°			PROJ.		Customer NO.
					DIM TOL					

WCON
 Http: www.wcon.com
 WCON-Dongguan Tel: +86 769 85358920 Fax: +86 769 85358915 E-mail: sales@wcon.com
 WCON-Kunshan Tel: +86 512 57468408 Fax: +86 512 57468468 E-mail: salesks@wcon.com